
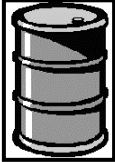




Philips Medical Systems/ Product Recycling Passport

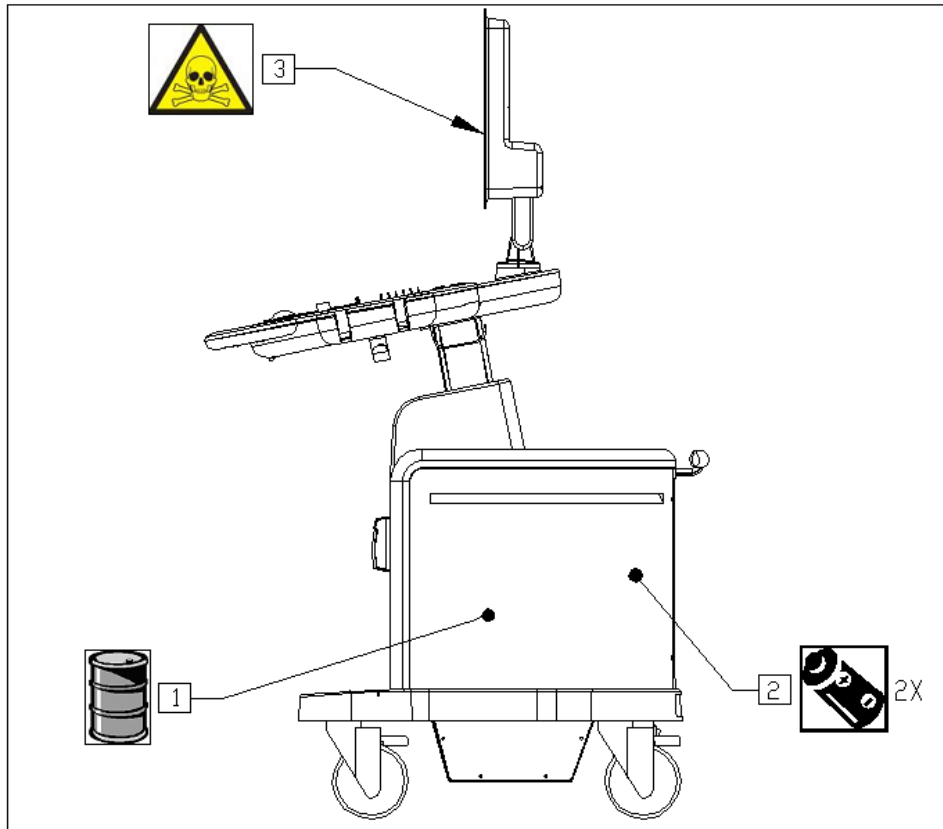
Product name:	HD3 Medical Diagnostic Ultrasound Equipment	
Identification code(s)	989605349121	
Total weight (in Kg)	73 Kg	
Producer/ Manufacturer	Name company:	Philips Ultrasound
	Address:	22100 Bothell Everett Highway
	Zip code:	98041-3003
	Country:	USA

Recycle Info	Items:	Location
Special attention 	Gas Spring under pressure. See Figure 1 [1]	
Fluids / Gases 	Items: Oil and Nitrogen Gas: in Gas Spring Tubes in Lift Mechanism Assy Do not drain oil with device under pressure.	Location Figure 1 [1]
Batteries 	Type: Li Battery (2X) on CPU PCB	Location Figure 1 [2]
Hazardous 	Substances: Lead (Pb) – contains lead in PCB's, solder, wiring, and cables Mercury (Hg) - Flat Panel LCD Note: Transducers (Probes) contain lead (Pb) on Flex circuits / PCB's in the connector and probe areas	Location N/A Figure 1 [3] N/A

Printed copies are uncontrolled

Philips Medical Systems/ Product Recycling Passport

Figure 1



Printed copies are uncontrolled

Philips Medical Systems/ Product Recycling Passport

Recycling Passport Revision History

Rev	Description	Date
A	First Passport	July 31, 2006

Recycling Passport Approval Signatures

Written By

Mechanical Engineer: Judy Zuclich

Reviewed By (optional)

Quality & Regulatory: Dave Szczupakowski

Approved By

Marketing Product Manager: Terri Richardson

Approved By

Printed copies are uncontrolled