
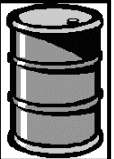




Philips Medical Systems/ Product Recycling Passport

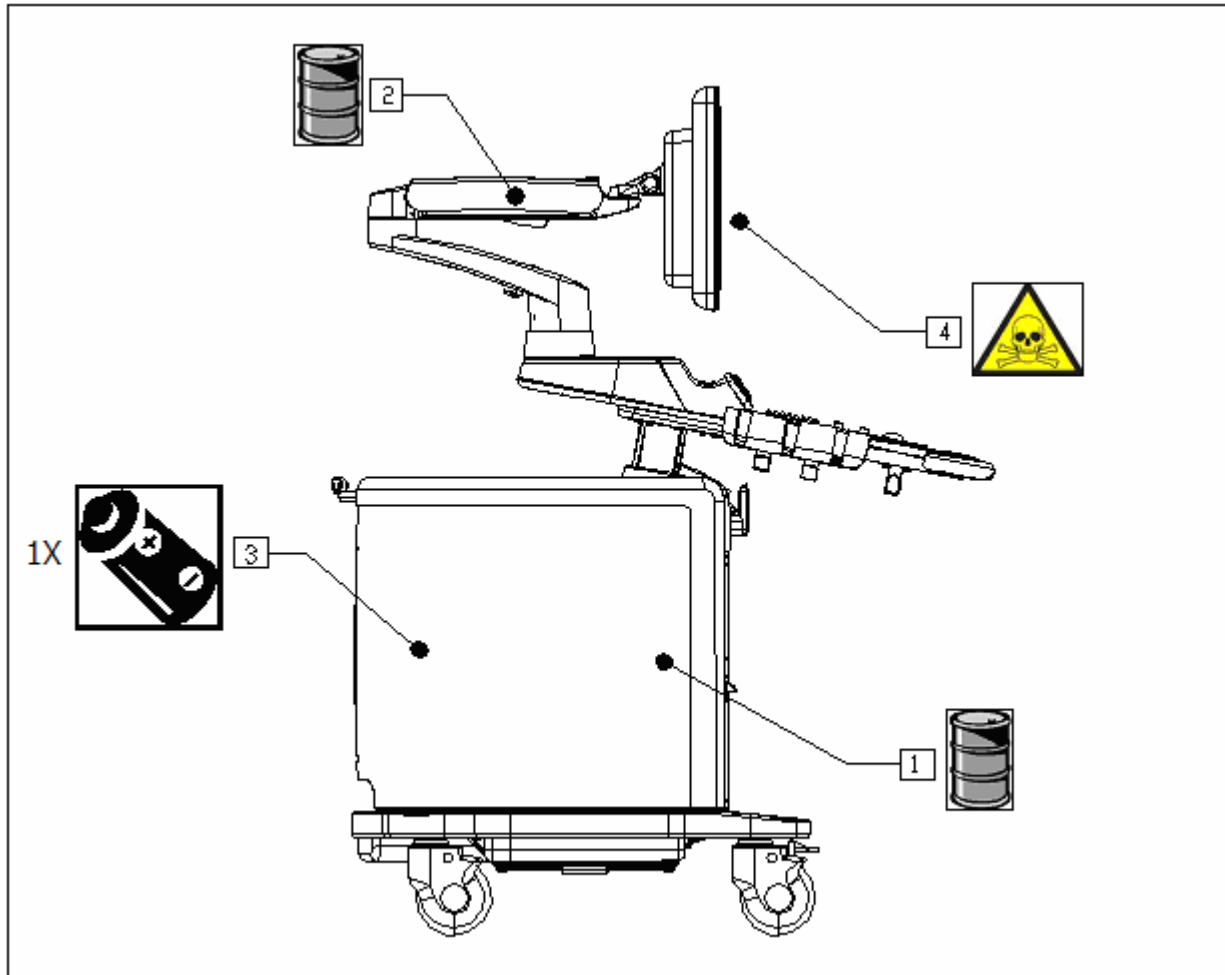
Product name:	HD11XE Medical Diagnostic Ultrasound Equipment	
Identification code(s)	989605325131	
Total weight (in Kg)	86 Kg	
Producer/ Manufacturer	Name company:	Philips Ultrasound
	Address:	22100 Bothell Everett Highway
	Zip code:	98041-3003
	Country:	USA

Recycle Info	Items:	Location
	Gas Springs under pressure. See Figures [1] & [2]	
Fluids / Gases 	Items:	Location
	Oil and Nitrogen Gas: (2X) in Gas Spring Tubes in Lift Mechanism Assy Do not drain oil with device under pressure.	Figure 1 [1]
	Oil and Nitrogen Gas: in Gas Spring Tube in Arm Articulation Assy Do not drain oil with device under pressure.	Figure 1 [2]
Batteries 	Type:	Location
	Li Battery (1X) on CPU PCB	Figure 1 [3]
Hazardous 	Substances:	Location
	Lead (Pb) – contains lead in PCB's, solder, wiring, and cables	N/A
	Mercury (Hg) - Flat Panel LCD	Figure 1 [4]
To be Removed	Note: Transducers (Probes) contain lead (Pb) on Flex circuits / PCB's in the connector and probe areas	N/A

Printed copies are uncontrolled

Philips Medical Systems/ Product Recycling Passport

Figure 1



Printed copies are uncontrolled

Philips Medical Systems/ Product Recycling Passport

Recycling Passport Revision History

Rev	Description	Date
B	Changed Figure 1 to represent only 1 battery	Jan 27, 2008
A	First Passport	Jan 24, 2008

Recycling Passport Approval Signatures

Written By Mechanical Engineer: Glenn Hitois
--

Reviewed By (optional) Quality & Regulatory: Dave Szczupakowski

Approved By Marketing Product Manager: Richard Roberts
--

Approved By

Printed copies are uncontrolled