
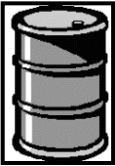


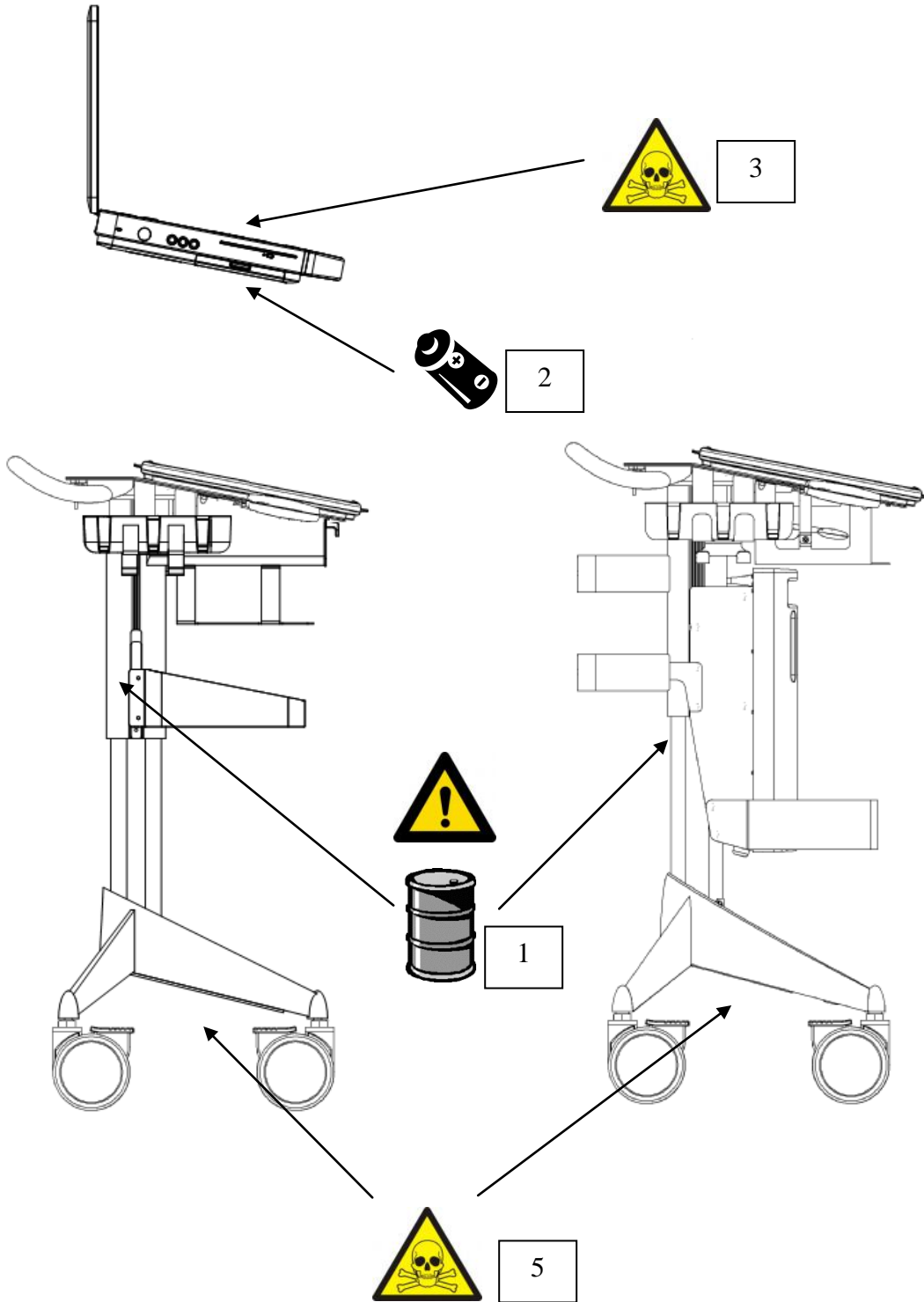


Product name:	CX30 Medical Diagnostic Ultrasound Equipment & Cart	
Identification code(s)	989605399451	
Total weight (in Kg)	57 kg	
Producer/ Manufacturer	Name company:	Philips Ultrasound
	Address:	22100 Bothell Everett Highway, Bothell, WA
	Zip code:	98021
	Country:	USA

Recycle Info	Items:	Location
Special attention 	Gas strut under pressure	Figure 1 [1] (Cart – 2 versions)
Fluids / Gases 	Oil and Nitrogen gas: in gas strut in lift mechanism. Do not drain oil with device under pressure	Figure 1 [1] (Cart – 2 versions)
Batteries 	Li Battery in System	Figure 1 [2] (CX30)
To be Removed		
Hazardous 	Lead (Pb) -- Contains lead in PCB's and solder.	Figure 1 [3] [5] (CX30 & Cart)
To be Removed		

Show locations of materials mentioned on the previous sheet. (Picture information)

Figure 1



Printed copies are uncontrolled