




## Philips Medical Systems / Product Recycling Passport

<b>Product name:</b>	SureSigns VSV		
<b>Reference Identifier:</b>	SureSigns VSV 863067		
<b>Total weight (in Kg):</b>	Less then 5.5 Kg. including battery, excluding peripherals (from ES)		
<b>Producer /Manufacturer</b>	Name company:	Philips Medical Systems	
	Address:	3000 Minuteman Rd, Andover MA	
	Zip code:	01810	
	Country:	USA	



Recycle info	Substances:	Location
	<i>Indicate any part of the product that could pose a hazard to the recycler and treatment facility during disassembly such as capacitors with residual energy or spring loaded valves and show location</i>	
	1. Before attempting to open or disassemble the VSV, power off the unit, disconnect the power supply from the VSV and remove the battery. High voltage is generated by the LCD backlight driver.	Figure 1 and Figure 2
	2. The metal edges on the inside of the front case assembly are sharp. Use extreme caution when handling the separated VSV assemblies. Pg 7-5 SG	Figure 3, 4, 5, 6, 7 and 8
	3. Mercury in display backlight	Figure 2, 4, 5
 To be removed	<b>Type:</b>	<b>Location</b>
	<i>Indicate all batteries in the product via battery chemistry and show location</i>	
	Lithium Ion battery	Figure 1
 To be removed	<b>Item</b>	<b>Location</b>
	<i>Indicate location of printed circuit boards and mercury in back lights as well as any cadmium, flame retardants (PBB and PBB) and hexavalent chromium in the product and show location</i>	
	1. Mercury in the back light	Figures 4 and 5
	2. Printed circuit boards (PCB) contain tin lead solder	Figure 4, 5, 6 and 7

### Additional Information as needed

Material content (global)	Weight in Kg	Materials content (continue)	Weight in Kg
Mercury	1.8 – 3.3 mg per CCFL and the backlight has 4 CCFL's so the total mercury content is 7.2 – 13.2mg.	Tin Lead solder used on PCB boards ratio 63/37	varies

**Philips Medical Systems / Product Recycling Passport**  
Locations as mentioned in the Passport (Pictures information)




  **Figure 1: Remove battery / Lithium Ion Battery**



  **Figure 2: Backlight assembly-possible high voltage from LCD backlight driver/ Mercury in backlight**



 **Figure 3: Sharp edges**

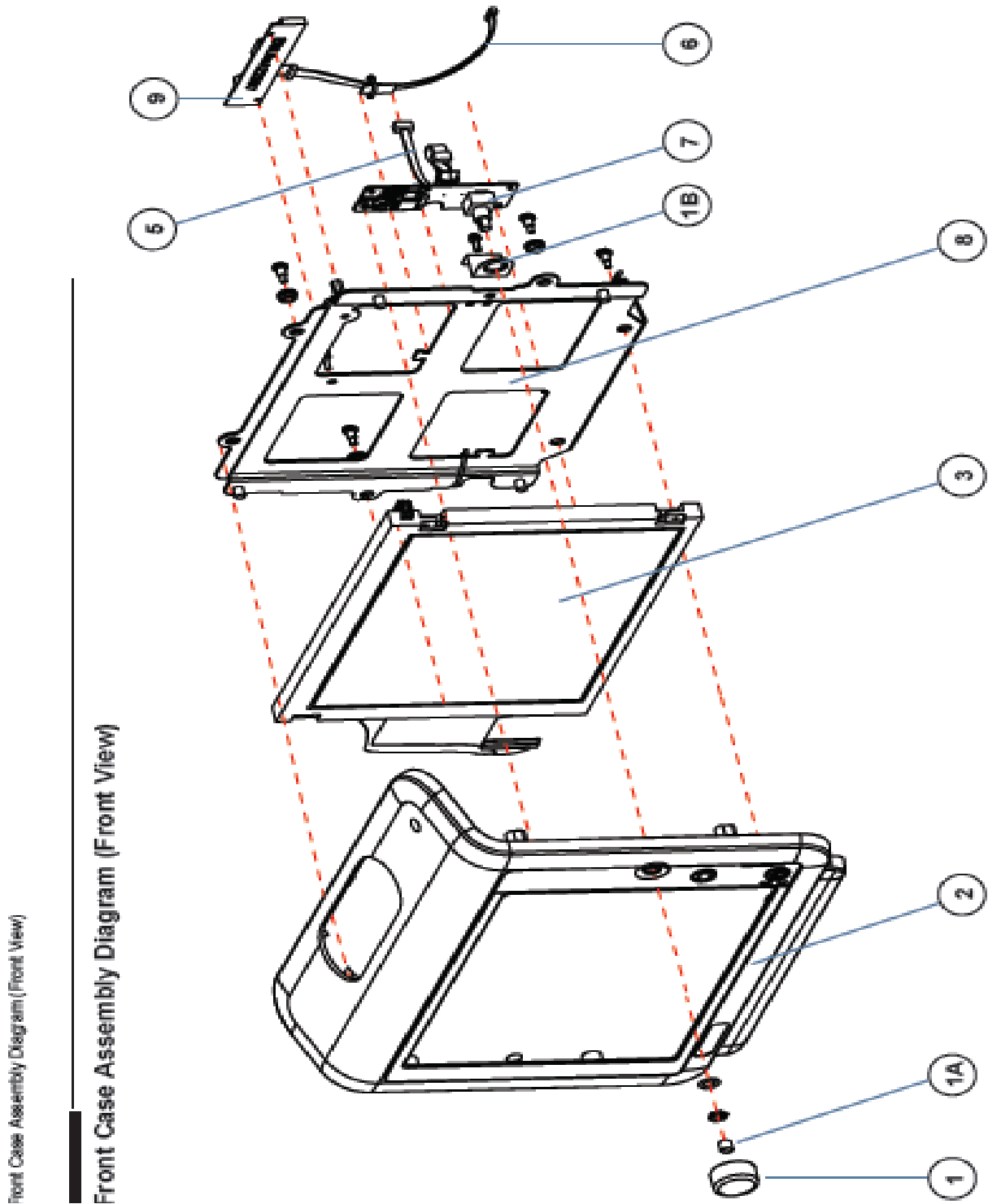


Figure 4: Sharp Edges / Backlight contains Mercury item 3/ PCB boards item 7, 5

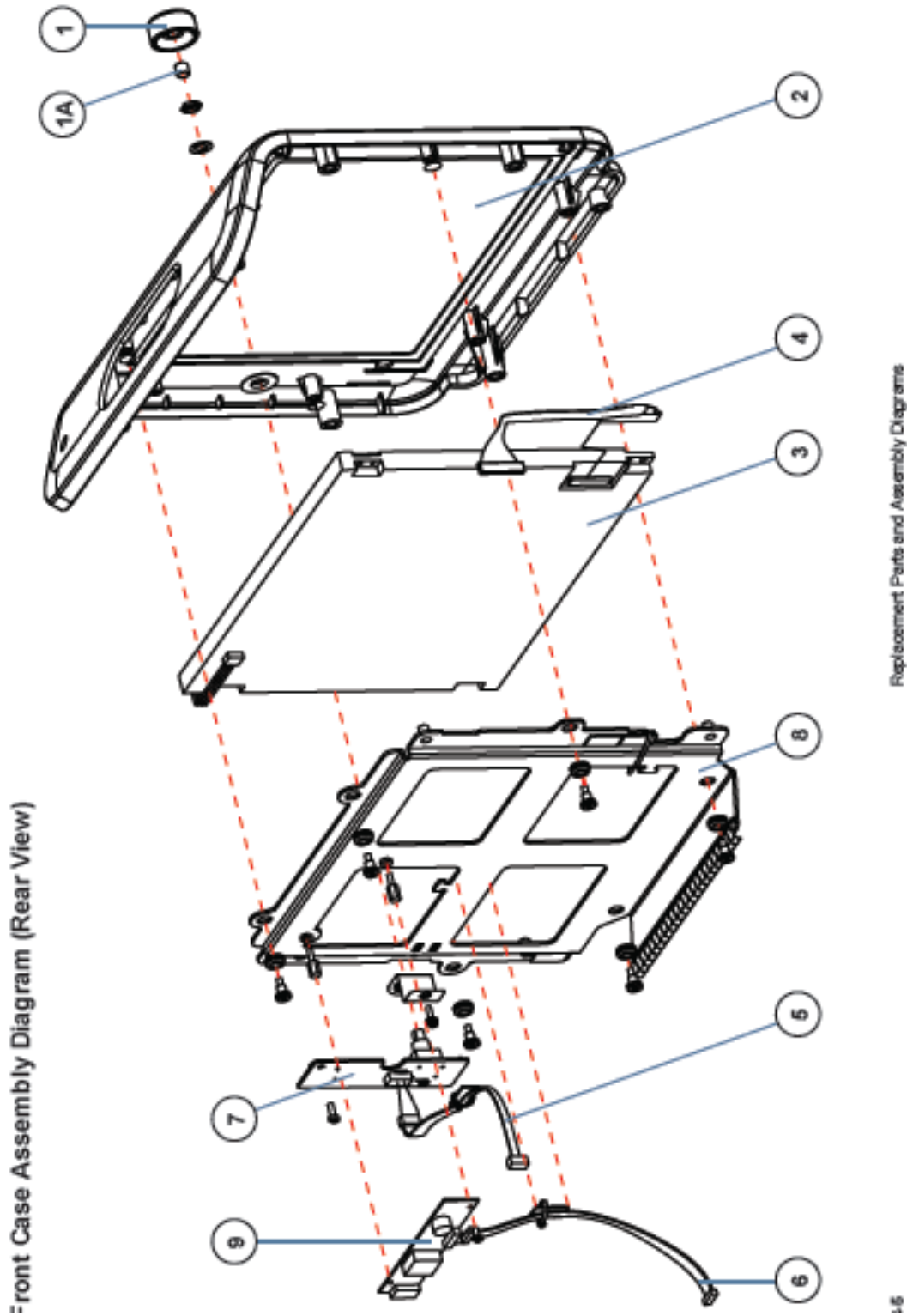
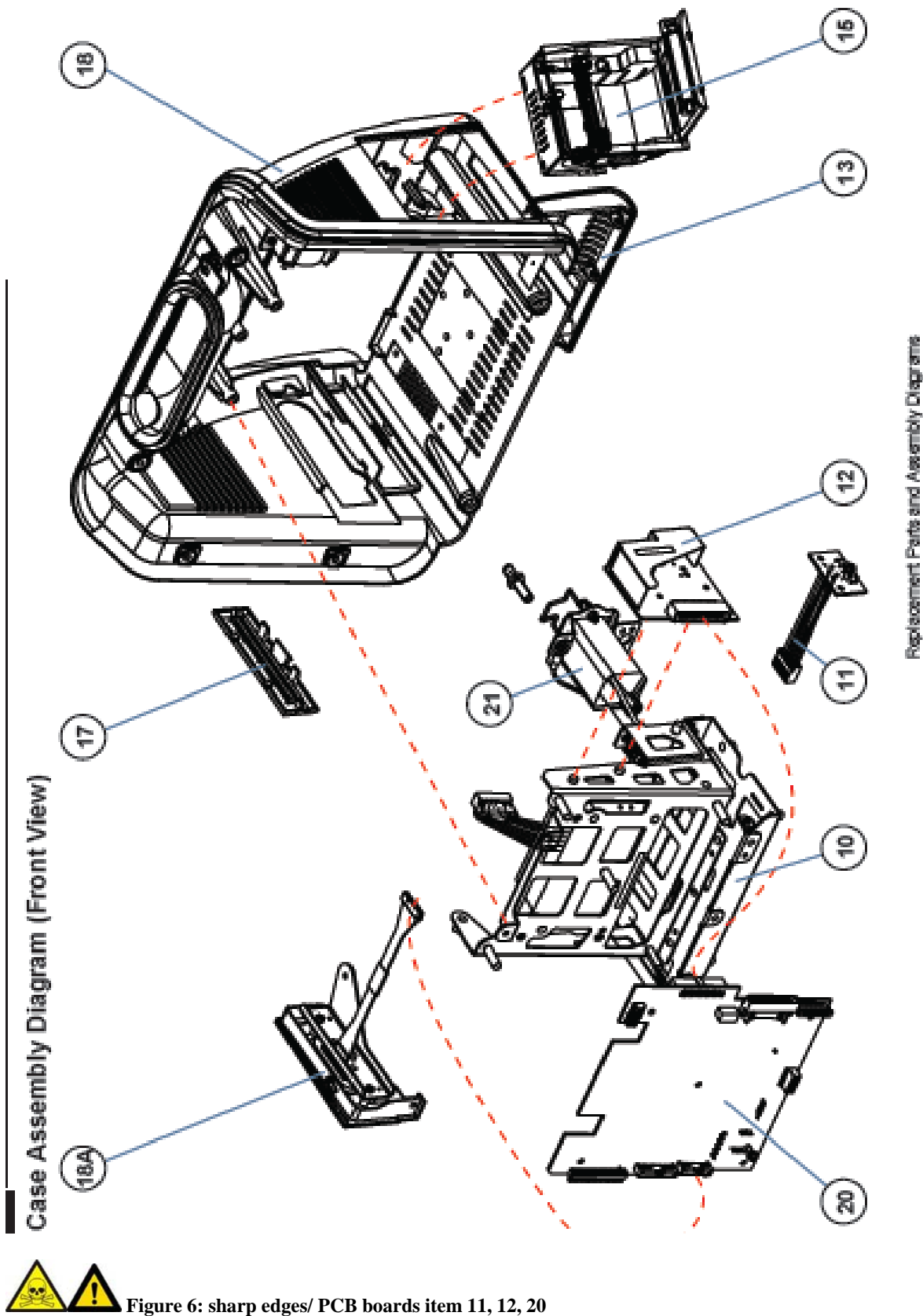


Figure 5: Sharp edges/ Backlight contains Mercury item 3/ PCB boards item 7, 5



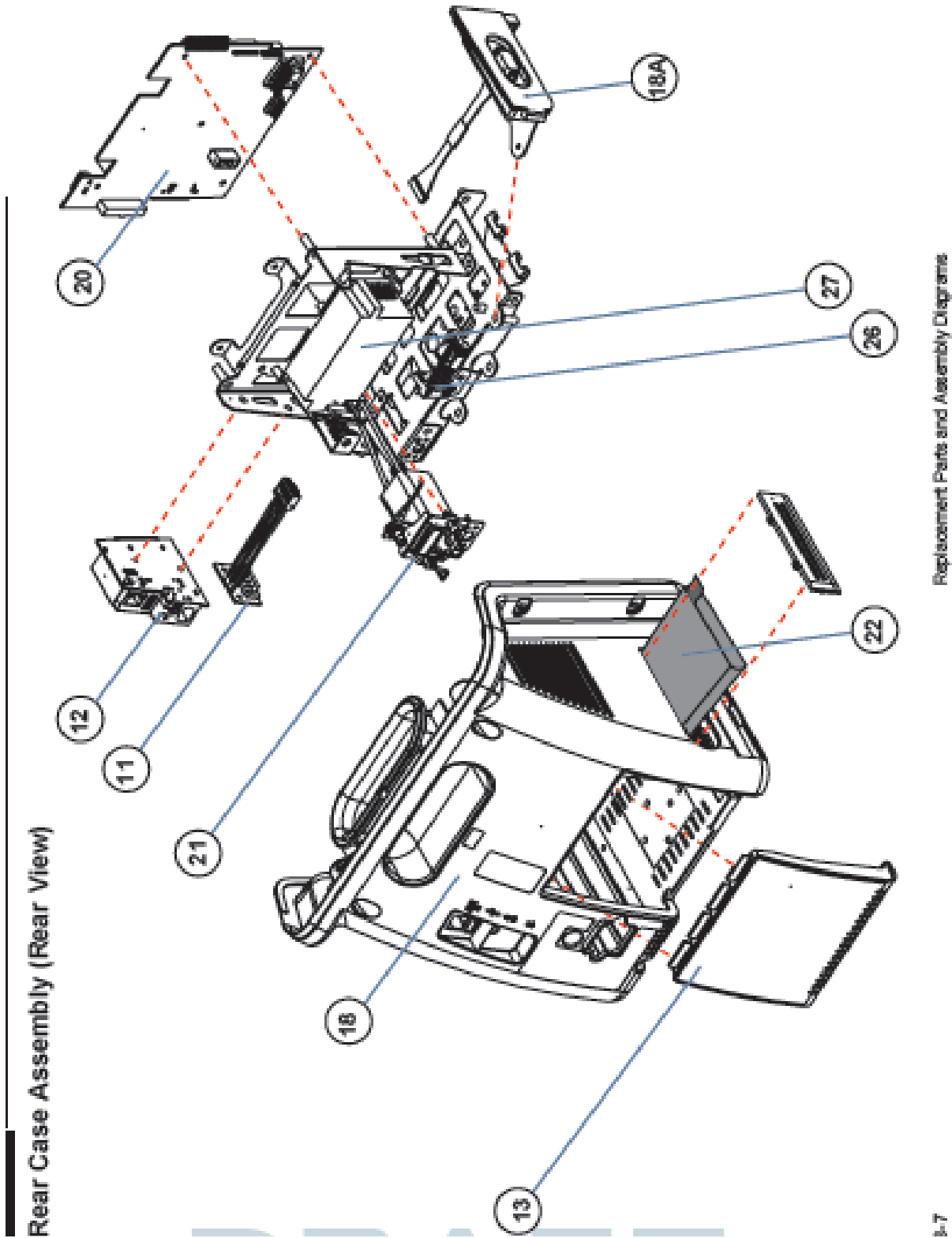


Figure 7: Sharp edges/ PCB boards item 11, 12, 20

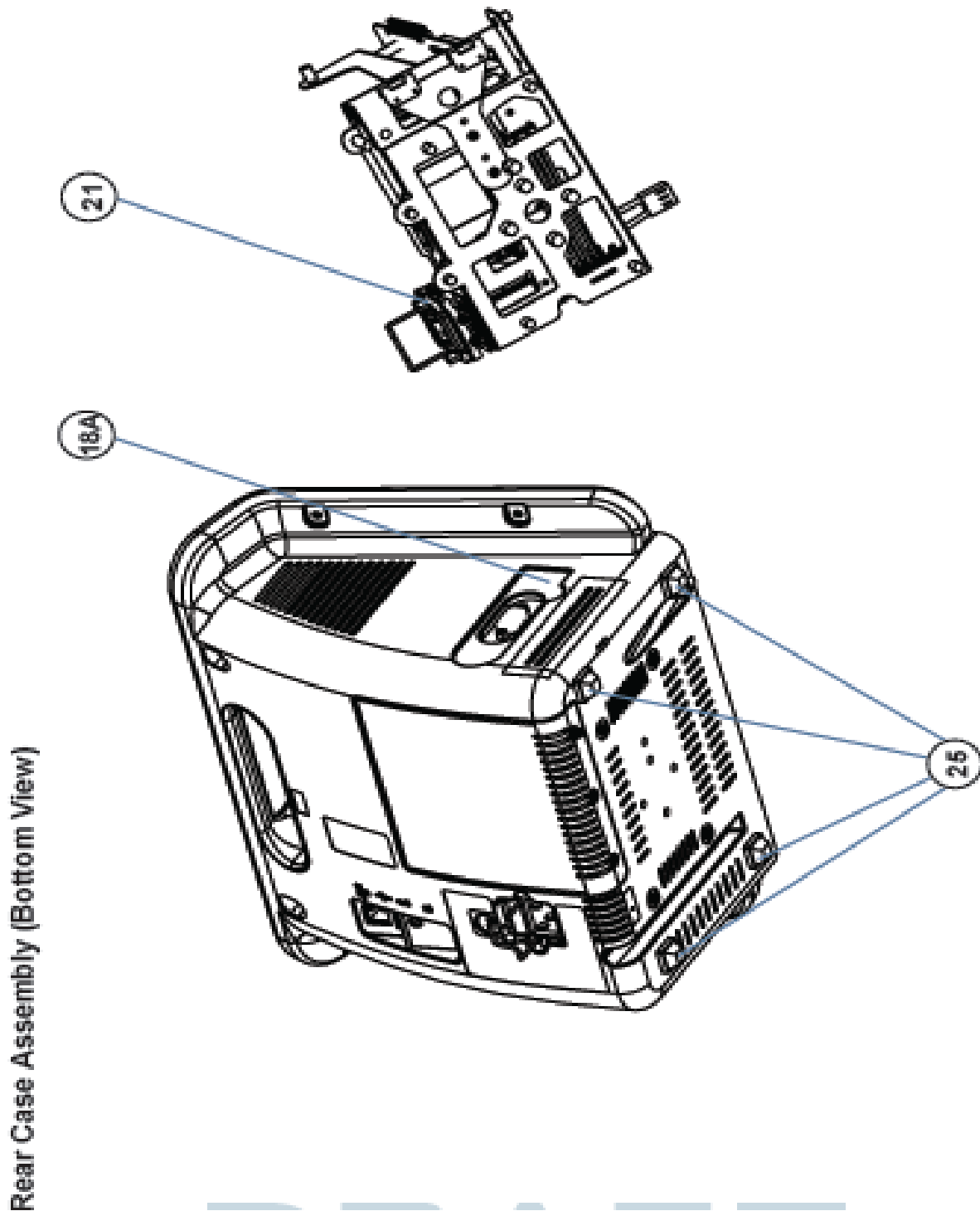


Figure 8: sharp edges