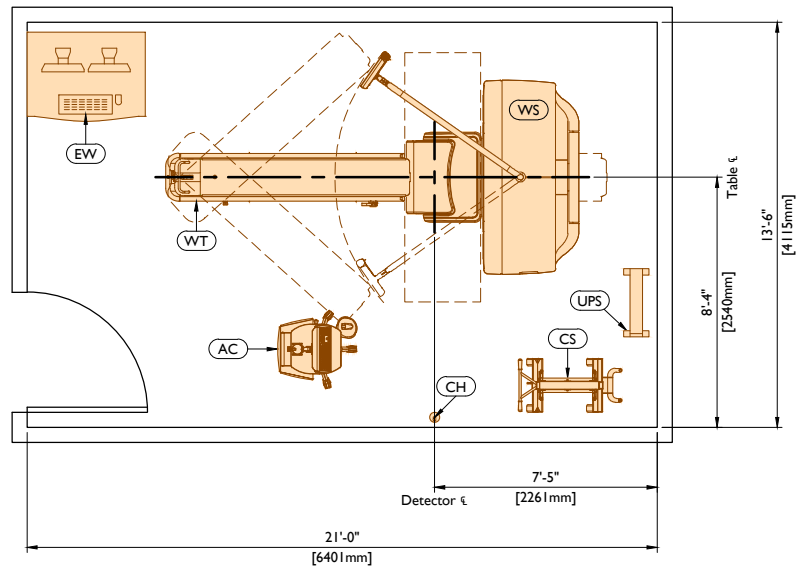


BrightView

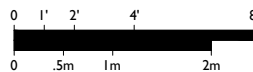
Preferred Room Layout

The layout shown below is based upon a typical equipment configuration and should be considered as a general design guideline. Site conditions, application requirements, customer preferences, and/or equipment configuration may significantly impact suite design and equipment layout. It is recommended to request site-specific drawings from a Philips representative early in the design process.



Equipment Layout

Minimum Ceiling Height: 8'-0" (2440mm)



Equipment Legend

- A Furnished and installed by Philips
- B Furnished by customer/contractor and installed by customer/contractor
- C Installed by customer/contractor
- D Furnished by Philips and installed by contractor
- E Existing
- F Future
- G Optional item furnished by Philips

Equipment Designation

	Description	Weight lbs [kg]	Heat Load Btu/hr [W]
A (WS)	BrightView System (without collimators)	3352 [1521]	3693 [1083]
A (WT)	Patient Table	550 [250]	--
A (AC)	Acquisition Terminal (on cart)	53 [25]	544 [160]
A (CS)	Collimator Storage Cart	161 [74]	--
A (CH)	Calibration Source Holder (dual detector)	--	--
G (UPS)	5 kVA Uninterruptible Power Supply	120 [55]	1040 [305]
G (EW)	Extended Brilliance Workspace	90 [41]	1000 [293]

Environmental Requirements for General Equipment Locations

The camera room HVAC system must maintain the temperature between 60° F (16° C) to 75° F (24° C) with less than 10° F (5° C) variation per hour. Humidity must be between 20% - 70%. These requirements exist on a 24 hours per day, 7 days per week basis.

Power Requirements

Voltage/Current (with or without UPS): 208-240 VAC, 30A

Peak Current: 15.3A during 167 msec at 208VAC

Steady State Current: 4.2A at 208 VAC

Phase: Single Phase

Receptacle (with or without UPS): NEMA L6-30R - dedicated.

Remote Service Diagnostics

Medical Imaging equipment to be installed by Philips is equipped with a service diagnostic feature which allows for remote and on-site service diagnostics. To establish this feature, a RJ45 type Ethernet 10/100/1000 Mbit network connector must be installed. Access to the customer's network via their remote access server is needed for Remote Service Network (RSN) connectivity. All costs associated with this feature are the responsibility of the customer.



© Koninklijke Philips N.V. 2014.
All rights reserved.

Reproduction in whole or in part is
prohibited without prior written consent of
the copyright holder.

Rev. 14.00