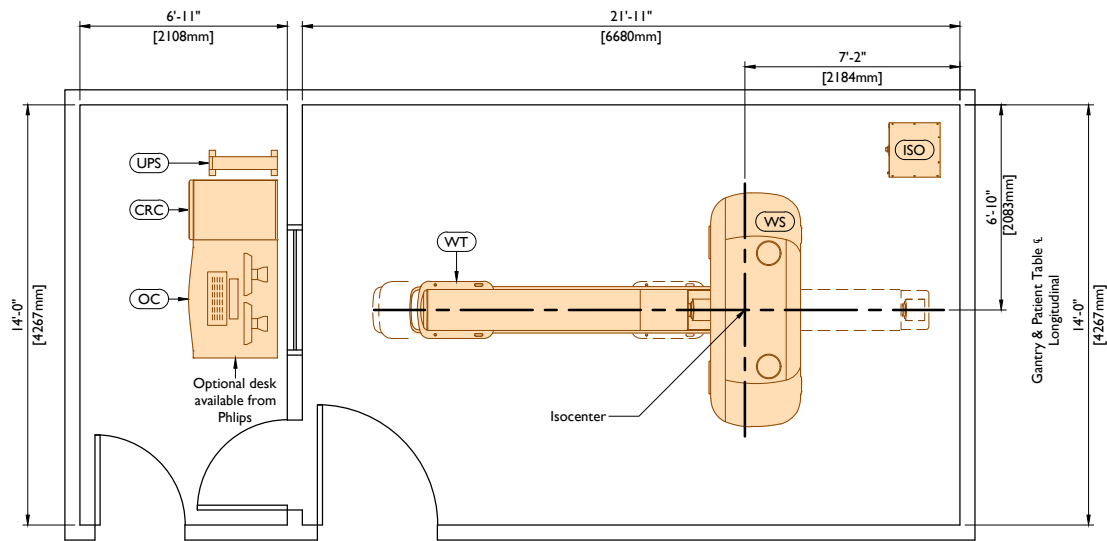


Ingenuity Core/Core 128/Elite

Preferred Room Layout

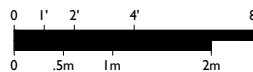
The layout shown below is based upon a typical equipment configuration and should be considered as a general design guideline. Site conditions, application requirements, customer preferences, and/or equipment configuration may significantly impact suite design and equipment layout. It is recommended to request site-specific drawings from a Philips representative early in the design process.



Equipment Layout

Recommended Ceiling Height: 9'-0" (2743mm)

Minimum Ceiling Height: 8'-0" (2440mm)



Equipment Legend

- A Furnished and installed by Philips
- B Furnished by customer/contractor and installed by customer/contractor
- C Installed by customer/contractor
- D Furnished by Philips and installed by contractor
- E Existing
- F Future
- G Optional item furnished by Philips

Equipment Designation

	Description	Weight lbs [kg]	Heat Load Btu/hr [W]
A (WS)	Ingenuity CT Scanner Gantry	4300 [1951]	18000 [5275]
A (WT)	Patient Table Extended Version	880 [400]	--
A (OC)	Operator's Console	45 [20]	1000 [294]
A (CRC)	CIRS Recon/COM Cabinet	269 [122]	2572 [754]
D (ISO)	Teal Isotran Line Match Unit	697 [316]	2210 [648]
G (UPS)	3kVA Console UPS	155 [71]	850 [250]

Environmental Requirements for General Equipment Locations

Operating temperature range within the CT Exam Room is 64° F (18° C) to 75° F (24° C) [ideal stable room temperature setting: 72° F (22° C)] at 35% to 70% relative humidity (non-condensing). Operating temperature change per hour throughout the CT Exam Room must not exceed 5° F (3° C).

Operating temperature range throughout the rest of the CT Suite is 59°-75° F (15°-24° C) [ideal stable room temperature setting: 72° F (22° C)] at 35% to 70% relative humidity (non-condensing). Operating temperature change per hour throughout the CT Suite must not exceed 5° F (3° C).

The above conditions must be maintained at all times, including overnight, weekends, and holidays. Heat output in one area of the CT Suite must not affect temperature and humidity in other areas. It is strongly recommended that any definable areas within the suite, i.e. equipment closets, control areas, etc. (if applicable), be individually environmentally controlled as required to meet ambient ranges specified.

Power Requirements

Supply Configuration: 3 phase, 3 wire power, Earth (with Teal Isotran, Philips approved power device)

Nominal Line Voltage: 480 VAC (+/- 10%), 50/60 Hz (+/- 3 Hz)

Branch Power Capacity: 112.5 kVA min. (150 kVA preferred)

Remote Service Diagnostics

Medical Imaging equipment to be installed by Philips is equipped with a service diagnostic feature which allows for remote and on-site service diagnostics. To establish this feature, a RJ45 type Ethernet 10/100/1000 Mbit network connector must be installed. Access to the customer's network via their remote access server is needed for Remote Service Network (RSN) connectivity. All costs associated with this feature are the responsibility of the customer.



© Koninklijke Philips N.V. 2014.
All rights reserved.

Reproduction in whole or in part is
prohibited without prior written consent of
the copyright holder.

Rev. 14.00