



Speed up workflow the single-slot way

Philips PCR Eleva S Plus system

Looking for a CR system to cover a high throughput X-ray room? Planning to digitize two moderate volume X-ray rooms? Either way, the single-slot PCR Eleva S Plus system, which processes 97 plates per hour, speeds up procedures and allows you to devote more time to your patients. The core components of the system are Philips' UNIQUE image processing and the Eleva user interface. Employ PCR Eleva S Plus for intensive care, trauma, orthopedics and rheumatic extremities as well as routine X-ray and dental exams. In general, making the switch to digital will positively impact patient word of mouth and the satisfaction level of your professionals.

Key advantages

- Single-slot system ideal for normal to high volume workload and optional high resolution imaging
- Consistent, excellent image quality thanks to UNIQUE image processing
- Optimized and customizable workflow with the PCR Eleva workstation

PHILIPS

PCR Eleva S Plus system highlights

A plate throughput of 97 plates per hour enables medium to high throughput. This includes high resolution imaging like that needed for rheumatic extremities if you select the 50 µm scanning option. Like all other PCR systems, PCR Eleva S Plus utilizes UNIQUE and the Eleva user interface, giving you workflow and budget advantages.

Take viewing to the next level

UNIQUE image processing combines outstanding image dynamics with superb detail contrast. To make the technologist's job even more comfortable, PCR Eleva S Plus is also equipped with advanced viewing features which include full screen display, free image rotation and easy ranging to highlight bones or soft tissue. What's more, PCR and direct radiography (DR) image impressions are harmonized, giving you a valuable basis for confident diagnoses.

Accelerate with Eleva

For each PCR Eleva S Plus reader you can choose one or more Eleva workspots for a customized, one-touch workflow. Various automated procedures such as shuttering, rotation, mirror, export, stitching and print speed up the workflow. All digital radiography systems from Philips incorporate the Eleva concept – which reduces staff training time and promotes intuitive handling, allowing you to focus on your patients. PCR Eleva can also be seamlessly integrated into your Philips iSite PACS.

PCR Eleva S Plus – your system of choice

PCR Eleva S Plus is ideal for one high throughput X-ray room or for two medium patient volume rooms. You can connect your PCR Eleva S Plus reader with other PCR readers to form a network. To cover X-rays of rheumatic extremities, the system also comes with an optional 50 µm scanning mode. On top of that, you can integrate PCR Eleva S Plus with DigitalDiagnost and with the R/F system EasyDiagnost. For example, these configurations enable you to use the PCR Eleva cassette as an additional, wireless image receptor.



Intuitive and easy to use: the Eleva user interface

The PCR Eleva S Plus system comprises

- A single-slot image plate reader PCR Eleva S Plus with high-speed mode
- Up to eight PCR Eleva workspots
- Keyboard and mouse
- Barcode scanner and holder
- Eleva user interface software including UNIQUE image processing
- 19" LCD color touch screen monitor or 17" LCD color non-touch monitor
- Optional 50 µm high resolution scanning mode



The Eleva workspace offers one-touch workflow

PCR Eleva S Plus image plate reader

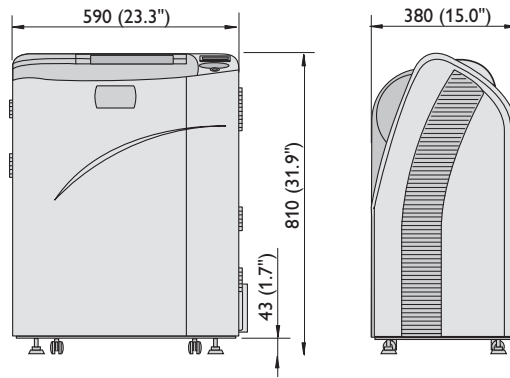
Plate throughput	Up to 97 plates/h (18 x 24 cm), see table on page 4 (high-speed mode allowing up to 94 plates/h for 35 x 35 cm)
Cassette release	37 to 56 s, depending on cassette size
Scanning resolution	100 µm or 200 µm (200 µm through either software re-sizing or high-speed mode) 50 µm (software option)
Read function	12 bit analog/digital conversion of information
Erase function	Exposure-dependent erasure of residual information on the imaging plate using white light

Eleva workspace

Hard disk	≥160 GB for system software and for intermediate storage of raw and processed image data (approx. 10.000 images)	
RAM storage capacity	≥2*1 GB	
Patient data input	<ul style="list-style-type: none"> • Hardware keyboard • Software keyboard 	<ul style="list-style-type: none"> • Barcode scanner • RIS connection
Interfaces	<ul style="list-style-type: none"> • Serial interfaces • Keyboard and mouse ports 	<ul style="list-style-type: none"> • Interface for a printer • USB interfaces • Ethernet 10/100/1000 Mbit/s
Software:	Eleva user interface software incl. UNIQUE image processing	
Barcode scanner and holder	<ul style="list-style-type: none"> • Barcoding cassettes with the patient and the examination data • Reading patient data 	
Optional Software	DICOM and Classic RIS connection (Worklist management), DICOM MPPS, DICOM Image Export, DICOM Print, Automatic image stitching, Quality control incl. Reject analysis, Reader sharing, DICOM Media, iSite integration	
Optional Hardware	19" LCD color touch screen monitor, 17" LCD color non-touch monitor, Additional PCR Eleva workspots can be placed in the department, Wallmount kit for workspot, mShield (network security)	

PCR Eleva S Plus

All dimensions in mm (feet/inches)



Weight: 99 kg (218.3 lbs)

Size	Application	Pixel matrix	Resolution (pixel/mm)	Throughput ³ (plates/h)	Cassette release time ³ (seconds)
35 x 43 cm	General radiography	3520 x 4280	10	64	56
		1760 x 2140	5	88	40
35 x 35 cm	General radiography	3520 x 3520	10	70	51
		1760 x 1760	5	95	37
24 x 30 cm	General radiography	2364 x 2964	10	78	46
18 x 24 cm	General radiography	1770 x 2370	10	97	37
24 x 30 cm HR ¹	High resolution imaging	4728 x 5928	20	72	50
18 x 24 cm HR ¹	High resolution imaging	3540 x 4740	20	82	44
10" x 12"	General radiography	2505 x 3015	10	76	47
8" x 10"	General radiography	2000 x 2510	10	94	38
15 x 30 cm	Dental imaging	1464 x 2964	10	78	46
24 x 57 cm	Orthopedics	2364 x 2964 ²	10	78 ²	46 ²
(2 plates 24 x 30 cm)					
35 x 84 cm	Orthopedics	3520 x 4280 ²	10	64 ²	56 ²
(2 plates 35 x 43 cm)					
35 x 102 cm	Orthopedics	3520 x 3520 ²	10	70 ²	51 ²
(3 plates 35 x 35 cm)					
35 x 124 cm	Orthopedics	3520 x 4280 ²	10	64 ²	56 ²
(3 plates 35 x 43 cm)					
10" x 23"	Orthopedics	2505 x 3015 ²	10	76 ²	47 ²
(2 plates 10" x 12")					

¹ HR = High resolution. Imaging plates with finer phosphor layer resulting in better spatial resolution (ability to see more details) at similar pixel size than standard plates.

² Per plate.

³ Throughput and cassette release time are approximate measurements.

Please visit us at www.philips.com/Computed_Radiography



© 2009 Koninklijke Philips Electronics N.V.
All rights are reserved.

Philips Healthcare reserves the right to make changes in specifications and/or to discontinue any product at any time without notice or obligation and will not be liable for any consequences resulting from the use of this publication. Note: Images may vary from actual product.

Philips Healthcare is part of Royal Philips Electronics

www.philips.com/healthcare
healthcare@philips.com
fax: +31 40 27 64 887

Printed in The Netherlands
4522 962 54391 * SEP 2009

Philips Healthcare
Global Information Center
P.O. Box 1286
5602 BG Eindhoven
The Netherlands