
DICOM

Conformance Statement

HD11 V1.0.7



Issued by:

Philips Medical Systems Nederland B.V.
CTO C&S Interoperability Competence Center

P.O. Box 10.000
5680 DA Best
The Netherlands

email: <mailto:dicom@philips.com>
Internet: <http://www.medical.philips.com/>

Document Number: 989605325130141 Rev A
Date: 2006-08-31

COPYRIGHT KONINKLIJKE PHILIPS ELECTRONICS N.V. 2006.

ALL RIGHTS RESERVED. NO PART OF THIS PUBLICATION MAY BE REPRODUCED OR TRANSMITTED IN ANY FORM OR BY ANY MEANS, ELECTRONIC OR MECHANICAL, INCLUDING PHOTOCOPY, RECORDING, OR ANY INFORMATION STORAGE AND RETRIEVAL SYSTEM, WITHOUT PRIOR WRITTEN PERMISSION FROM THE COPYRIGHT OWNER.

© PHILIPS MEDICAL SYSTEMS NEDERLAND B.V. 2006

Revision History

Document Version	Description
Rev A	This version is released to MATRIX as document number 989605325130141 Rev A. Note: HD11 1.0.7 DICOM Conformance Statement (DCS) contains only minor changes from HD11's 1.0.6 DCS (doc. Num. 989605325130090). These changes are mostly for IHE compliance to the Scheduled Workflow and Patient Information Reconciliation profiles.

Table of Contents

0.	INTRODUCTION	7
0.1	PURPOSE OF THIS DOCUMENT.....	7
0.2	INTENDED AUDIENCE	7
0.3	OVERVIEW OF DICOM PRODUCT OFFERING	9
0.4	SOURCES FOR THIS DOCUMENT.....	11
0.5	IMPORTANT NOTE TO THE READER.....	12
0.6	ACRONYMS, ABBREVIATIONS AND GLOSSARY OF TERMS	13
I.	IMPLEMENTATION MODEL.....	18
1.1	APPLICATION DATA FLOW DIAGRAMS.....	20
1.1.1	NETWORK RELATIONSHIPS	20
1.1.2	REMOVABLE MEDIA RELATIONSHIPS.....	23
1.2	FUNCTIONAL DEFINITION OF HDI I AE.....	24
1.2.1	STORAGE OF DICOM STUDIES TO A PACS	25
1.2.1.1	Monochromization and Intelli-Store	25
1.2.2	ISSUING OF STORAGE COMMITMENT REQUESTS TO AN IMAGE MANAGER	26
1.2.2.1	Batch Mode and Manual Export	26
1.2.2.2	Send-As-You-Go Mode.....	27
1.2.3	VERIFICATION OF THE EXISTENCE OF DICOM SERVER ON THE HOSPITALS NETWORK	28
1.2.4	PRINTING DICOM STUDIES TO A B&W OR COLOR PRINTER.....	29
1.2.4.1	Monochromization and Intelli-print.....	29
1.2.4.2	Batch Mode and Manual Print.....	29
1.2.4.3	Send-As-You-Go Mode.....	30
1.2.5	RESPONDING TO A VERIFICATION REQUEST FROM A REMOTE DICOM SERVER	30
1.2.6	SAVING A DICOM STUDY TO REMOVABLE MEDIA	31
1.2.7	READING A DICOM STUDY FROM REMOVABLE MEDIA	31
1.2.8	WRITING AND READING A STUDY TO/FROM REMOVABLE MEDIA IN NON-DICOM FORMATS.....	31
1.2.9	OBTAINING A LIST OF SCHEDULED WORK FROM THE HIS VIA THE MWL SERVER.....	32
1.2.10	UPDATING THE STATUS OF A SCHEDULED PROCEDURE USING THE MPPS SERVER.....	32
1.3	SEQUENCING OF REAL-WORLD ACTIVITIES	33
2.	APPLICATION ENTITY SPECIFICATIONS.....	34
2.1	HD I I AE SPECIFICATION	34
2.1.1	ASSOCIATION ESTABLISHMENT POLICIES	34
2.1.1.1	General.....	34
2.1.1.2	Number of Associations.....	35
2.1.1.3	Asynchronous Nature.....	36
2.1.1.4	Implementation Identifying Information	37
2.1.2	ASSOCIATION INITIATION BY REAL-WORLD ACTIVITY	38
2.1.2.1	Storage of DICOM studies to a PACS.....	38
2.1.2.2	Issuing of Storage Commitment requests to an image manager.....	95
2.1.2.3	Verification of the existence of DICOM server on the hospitals network.....	100

2.1.2.4	Printing DICOM studies to a B&W or color printer	105
2.1.2.5	Obtaining a list of scheduled work from the HIS via Modality Worklists.....	120
2.1.2.6	Updating the status of a scheduled procedure	130
2.1.3	ASSOCIATION ACCEPTANCE POLICY	138
2.1.3.1	Responding to a verification request from a remote DICOM server	138
3.	HD I I AS A MEDIA STORAGE APPLICATION	141
3.1	FILE META INFORMATION FOR THE HD I I AE.....	141
3.2	REAL-WORLD ACTIVITIES	142
3.2.1	SAVING A DICOM STUDY TO REMOVABLE MEDIA.....	142
3.2.2	READING A DICOM STUDY FROM REMOVABLE MEDIA	144
3.2.2.1	Import DICOM Object Specifications	145
3.2.2.2	Media Storage Application Profiles	146
3.2.2.3	SOP Specific Conformance For "DICOM Directory" SOP Class.....	147
3.2.2.4	File-Set Identification Module	148
3.2.2.5	Directory Information Module.....	149
4.	COMMUNICATIONS PROFILES	154
5.	EXTENSIONS/SPECIALIZATIONS/PRIVATIZATIONS	155
5.1	GENERAL	155
5.2	2D	155
5.3	PANVIEW	156
5.4	QLAB / 3D.....	156
6.	CONFIGURATION	158
7.	SUPPORT FOR EXTENDED CHARACTER SETS.....	159
7.1	SUPPORT FOR RUSSIAN AND JAPANESE MARKETS	160
7.2	ADDITIONAL SUPPORT FOR JAPANESE MARKETS.....	160
7.3	SUPPORT FOR CHINESE MARKETS	161

0. Introduction

This chapter provides general information about the purpose, scope and contents of this Conformance Statement.

0.1 Purpose of this Document

Context: Expansion of Headings and sub-headings

- Introduction
 - Purpose of this Document

The Digital Imaging and Communications in Medicine (DICOM) standard was originally developed by a joint committee of the American College of Radiology (ACR) and the National Electrical Manufacturers Association (NEMA) to

“Facilitate the open exchange of information between digital imaging computers”.

It specifies how medical images and related clinical information are passed between medical devices.

The DICOM Conformance Statement (DCS) is a required document for any device that claims conformance to DICOM. Since the DICOM standard specifies the structure and content of this document (PS3.2 - 2004) a DCS describes the DICOM capabilities and key features of a particular product in a standardized, defined manner.

This DCS defines the DICOM capabilities and key features of Philips Medical Systems' HD11 ultrasound imaging system.

For a hospital's Information Technology (IT) department, matching DICOM Conformance Statements between vendor product offerings is a key element to determine interconnectivity between vendors' devices.

This Conformance Statement should be read in conjunction with the DICOM standard and its addenda [DICOM].

0.2 Intended Audience

Context: Expansion of Headings and sub-headings

- Introduction
 - Intended Audience

This Conformance Statement is intended for:

- Potential customers
- System integrators of medical equipment
- Marketing staff interested in system functionality

- Software designers implementing DICOM interfaces

It is assumed that the reader is familiar with the DICOM standard.

0.3 Overview of DICOM product offering

Context: Expansion of Headings and sub-headings

- Introduction
- Overview of DICOM product offering

HD11 is an ultrasound system. The services supported by HD11's DICOM subsystem are derived from the following customer needs:

Name	Customer Need	Options package
Optioning	Ability to purchase some features and not others.	N/A
Archival & Storage Commit	Archival of digital images to: <ol style="list-style-type: none"> 1. Removable media or 2. Across the network 	<ol style="list-style-type: none"> 1. DICOM Media 2. DICOM Networking
Printing of medical images	Printing to a DICOM compatible printer.	DICOM Networking
Verification	Ability to verify the existence of and communicate with a DICOM server on the network.	DICOM Networking
Modality WorkList (MWL)	Ability to obtain lists of patients and procedures from the hospital's information system.	DICOM Networking
Modality Performed Procedure Step (MPPS)	Ability to update the information in the hospital's information system with regard to the status of a scheduled procedure.	DICOM Networking

The base HD11 system will be sold with no DICOM services enabled. Customers requiring functionality beyond that provided by the base system purchase DICOM services as options on top of the base system.

Philips Medical Systems offers customers two DICOM options:

1. DICOM Media Capability to read/write studies from/to a CD-R, CD-RW or MOD. This is enabled/disabled via hardware: based on the presence or absence of the MOD drive.

2. DICOM Networking Capability to store studies across a network, transfer ownership of studies to the PACS and print a hardcopy to a DICOM printer. Capability to request lists of scheduled work from the hospital's information system and the ability to update study status information in the hospital's information system. Enabled via access codes.

Note: DICOM Networking encompasses what in HD11 had been two separate options: DICOM Basic and DICOM Advanced.

While the DICOM Conformance Statement is not intended to be a complete HD11 product specification, some areas of this document will refer to system operation where it is necessary to add a context for the discussion or to help explain a capability.

0.4 Sources for this Document

Context: Expansion of Headings and sub-headings

- Introduction
- Sources for this Document

The source for this document is:

- American College of Radiology-National Electrical Manufacturers Association (ACR-NEMA) Digital Imaging and Communications in Medicine (DICOM) V3.0. 2004

0.5 Important Note to the Reader

Context: Expansion of Headings and sub-headings

- Introduction
 - Important Note to the Reader

This Conformance Statement by itself does not guarantee successful interoperability of Philips equipment with non-Philips equipment. The user (or user's agent) should be aware of the following issues:

Interoperability

Interoperability refers to the ability of application functions, distributed over two or more systems, to work successfully together. The integration of medical devices into an IT environment may require application functions that are not specified within the scope of DICOM. Consequently, using only the information provided by this Conformance Statement does not guarantee interoperability of Philips equipment with non-Philips equipment. It is the user's responsibility to analyze thoroughly the application requirements and to specify a solution that integrates Philips equipment with non-Philips equipment.

Validation

Philips equipment has been carefully tested to assure that the actual implementation of the DICOM interface corresponds with this Conformance Statement. Where Philips equipment is linked to non-Philips equipment, the first step is to compare the relevant Conformance Statements. If the Conformance Statements indicate that successful information exchange should be possible, additional validation tests will be necessary to ensure the functionality, performance, accuracy and stability of image and image related data. It is the responsibility of the user (or user's agent) to specify the appropriate test suite and to carry out the additional validation tests.

New versions of the DICOM Standard

The DICOM Standard will evolve in future to meet the user's growing requirements and to incorporate new features and technologies. Philips is actively involved in this evolution and plans to adapt its equipment to future versions of the DICOM Standard. In order to do so, Philips reserves the right to make changes to its products or to discontinue its delivery. The user should ensure that any non-Philips provider linking to Philips equipment also adapts to future versions of the DICOM Standard. If not, the incorporation of DICOM enhancements into Philips equipment may lead to loss of connectivity (in case of networking) and incompatibility (in case of media).

0.6 Acronyms, Abbreviations and Glossary of Terms

Context: Expansion of Headings and sub-headings

- Introduction
 - Acronyms, Abbreviations and Glossary of Terms

DICOM definitions, terms and abbreviations are used throughout this Conformance Statement. For a description of these, see NEMA PS 3.3 and PS 3.4.

ACC -----	American College of Cardiology
ACR-----	American College of Radiology Initiated the DICOM standardization effort in the early 1980's.
AE -----	Application Entity A software process that implements DICOM. HD11 uses a single AE.
AE Title-----	AE's require a unique 'AE Title', typically set up during installation through HD11's setup key on the control panel. Application Entities (AE's) identify themselves to each other via the AE Title at application level.
ANSI -----	American National Standard Institute
Association -----	A connection between AE's for DICOM exchange.
ASCII-----	American Standard Code for Information Exchange Known for standardizing codes for text.
Attribute -----	Attributes are the components of an object (IOD), describing its properties. Examples of attributes are Patient Name, Patient ID etc. Each attribute has a unique DICOM tag.
Big Endian -----	An encoding method for storing the most significant Byte in the high order bits of a 16 bit word. Motorola based CPU's expect information to be stored this way. Exchanged as part of the transfer syntax. Conversion to little endian would require swapping each byte within the words.
CD-R -----	Compact Disk, Write once, read many times. An option for the physical specification for the DICOM media exchange standard and used by HD11 as a removable media device.
CD-RW -----	Compact Disk, multi-write, multi-read An option for the physical specification for the DICOM

media exchange standard and used by HD11 as a removable media device.

- DICOM-----Digital Imaging and Communications In Medicine Version 3.0 is the current defined version and is that used by this in this document.
- DICOM Media -----A DICOM option that can be purchased by the customer, it allows the user to write DICOM studies to removable media.
- DICOM Networking-----A DICOM option that can be purchased by the customer, it allows the user to perform network export of DICOM studies and DICOM print as well as to select a procedure from a Modality Worklist and to send study status information to the department scheduler. It includes DICOM Media.
- DICOMDIR-----The standard directory structure specified for DICOM media exchange.
- DIMSE -----DICOM Message Service Element.
The DICOM set of commands (e.g. C_ECHO, C_STORE, etc.)
- HD11 -----Philips Medical Systems' HD11 ultrasound system.
- Image Format-----A term that refers to the Photometric Interpretation and Transfer Syntax treated as single item. For example the Image Format 'Palette Color, RLE Compressed' is consists of a Photometric Interpretation of 'Palette Color' and a Transfer Syntax of 'RLE Compressed'.
- Explicit VR -----Explicit Value Representation
A transfer syntax which is negotiated by which the receiver is explicitly told the VR syntax and context. This is in contrast to Implicit VR.
- FSC-----File-set creator
The function of a device that creates DICOM exchange media, typically an acquisition device such as an ultrasound. HD11 is a FSC.
- FSR -----File-set reader
The function of a device that reads DICOM exchange media - typically a viewing station. HD11 is also a FSR and can view studies created by other HD11 systems.
- FSU-----File-set updater
The function of a device that can read DICOM exchange media and update the DICOMDIR.

Implementation Class UID	A unique number, which is exchanged during the set up of the association, by which HD11 identifies itself. This UID is guaranteed not to change for a specific release of HD11.
Implicit VR -----	Implicit Value Representation A transfer syntax which is negotiated by which the receiver is assumed to know the VR syntax and context.
HIS -----	Hospital Information System
IOD -----	Information Object Definition Specification of a DICOM object such as a US Image Object.
ISO -----	International Standards Organization
JPEG -----	An image compression technique created by the Joint Photographic Experts Group
Little Endian -----	An encoding method by which the least significant byte is stored in the high order bits in a 16 bit word. This is how Intel based CPU's store data.
LUT -----	Look Up Table Specifying mapping from specific values such as pixel values into luminance.
MOD-----	Magneto Optical Disk Used by HD11 as one of the physical exchange media options for the DICOM exchange standard.
Modality -----	An acquisition system such as CT, MR, US. HD11 is an ultrasound (US) modality.
Module -----	A group of attributes, specified as a unit for convenience reasons. Examples are Patient module, Study module etc.
MONOCHROME2-----	A color format for images in which the pixel values are grayscale values with a range of 0-255, 0 represents a Black pixel and 255 represent a White pixel.
MPPS-----	Modality Performed Procedure Step Used by HD11 for informing a department scheduler of the status of a study.
MWL -----	Modality WorkList Used to provide on the HD11 system a Worklist of scheduled procedures.
NEMA -----	National Electrical Manufacturers Association US trade organization, members of which defined the first version of the DICOM standard together with the ACR.

PACS-----	Picture Archiving and Communications System An image archive.
PaletteColor-----	A color format for images in which the pixel values are indices into a color table. See RGB and YBR for other color formats.
PDU-----	Protocol Data Unit Packet that is created at the DICOM lower-level protocol.
Pixel-----	Smallest, single element or dot of an image.
Pixel Spacing-----	Physical distance in the patient between the center of each pixel, specified by a numeric pair – adjacent row spacing (delimiter) adjacent column spacing (in mm).
RGB-----	A color format for images in which the pixel values contain the red, green and blue color intensities. See PaletteColor and YBR for other color formats.
RIS-----	Radiology Information System Which typically schedules and maintains patient demographic information.
RLE -----	Run Length Encoding A lossless image compression scheme.
SCP-----	Service Class Provider DICOM AE that functions as a server or ‘provides’ a service such as Storage, Print etc.
SCU-----	Service Class User DICOM AE that functions as a client, or uses a service, i.e. for printing, storage etc.
Service Class -----	A service class is a group of one or more SOP classes e.g. the Storage Service class contains all the storage SOP classes (CT_STORE, US_STORE etc).
SOP -----	Service Object Pair Combination of a service such as US_STORE and an object such as image.
TCP/IP -----	Transmission Control Protocol/Internet Protocol The communication standard supported by DICOM.
Transfer Syntax -----	Encoding specification of DICOM messages, negotiated while setting up an association. Examples of different transfer syntaxes are Little Endian or Big Endian, Implicit or Explicit VR, or a compression scheme (such as RLE or JPEG).
Type-----	Specification of rule for whether an attribute has to be present in an object. Type I attributes are required; Type

2 are required but can be left blank when unknown; Type 3 are optional.

- U/U-----Usage specification for a specific service, meaning (user-) optional for SCU and mandatory for SCP.
- U/M -----Usage specification for a specific service, meaning (user-) optional for both SCU and SCP.
- UID-----Unique Identifier
A world-wide unique numbering scheme which is used by the NEMA to, for example, identify SOP classes, syntaxes etc and vendors for identifying SOP instances.
- US -----Ultrasound
- VM-----Value Multiplicity
Defining whether or not an attribute can have multiple elements, for example multiple phone numbers.
- VR -----Value Representation
The definition of rules and encoding of groups of similar attributes. For example the VR Person Name (PN) specifies exactly the sequence of last name, first name etc.
- YBR -----A color format for images in which the pixel values contain one luminance and two chrominance planes. See PaletteColor and RGB for other color formats.

I. Implementation Model

Context: Expansion of Headings and sub-headings

➤ Implementation Model

This section describes the functional relationship between the device and the DICOM services:

Customer Need	Provided in options package	Functionality	DICOM Service Classes Required
Optioning	Bundled	Ability to install/remove optional features	
Archive to Media	Bundled	Saving BMP's, AVI's, and HTML docs to media	
		Formatting removable media: CD-R/CD-RW, MOD.	
	DICOM Media	Saving DICOM studies to removable media: MOD, CD-R or CD-RW.	Media Storage Service Class – File Set Creator Media Storage Service Class – File Set Updater
Retrieval from Media	DICOM Media	Reading DICOM studies from removable media	Media Storage Service Class – File Set Reader
Archive to Network	DICOM Networking	Network export of DICOM studies.	Storage SCU
		Transfer ownership of acquired images to an image management system.	Storage Commitment SCU
Print	Bundled	Print images to PC based printers, non-DICOM film printers.	

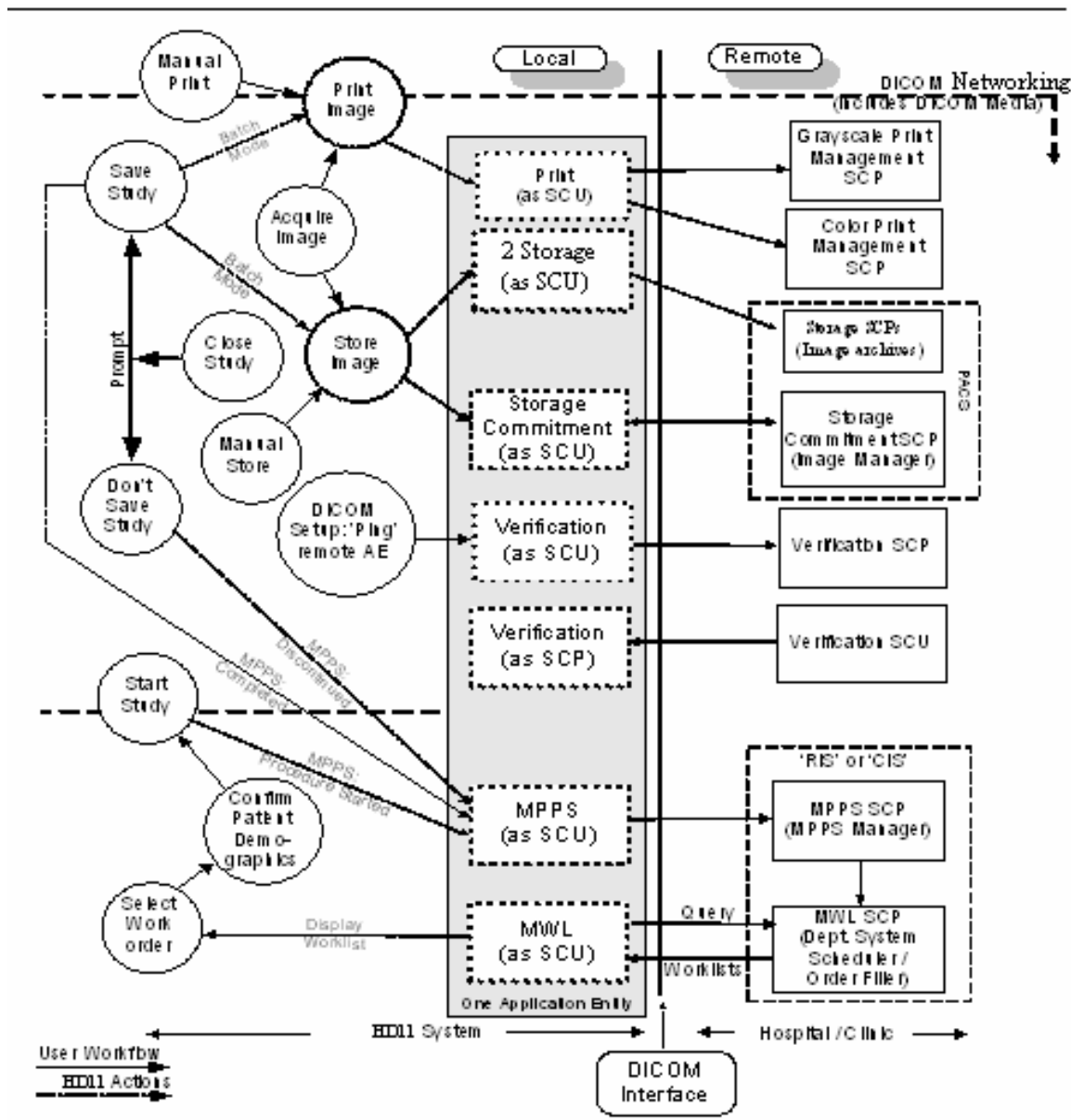
Customer Need	Provided in options package	Functionality	DICOM Service Classes Required
	DICOM Networking	Print studies to a DICOM printer – both color and B&W.	Print Management SCU
Modality Worklist (MWL)	DICOM Networking	Request modality worklists from the Modality Worklist Server.	MWL SCU
Modality Performed Procedure Step (MPPS)	DICOM Networking	Inform the hospital of the status of a performed procedure.	MPPS SCU
Setup	DICOM Networking	Verification that a network device is a DICOM server.	Verification SCU
		Response to requests from the network to verify that HD11 is a DICOM device.	Verification SCP
		Set the AE Title for HD11; Specify which network server is the primary and secondary storage SCP, storage commit SCP; List servers, add servers etc	

I.1 Application Data Flow Diagrams

I.1.1 Network Relationships

The diagram in Figure I.1-1 represents the relationship between HD11's Application Entity and its use of DICOM to real-world activities. Figure I.1-1 shows the relationships for DICOM activities on the network.

Figure I.1-1 Network Relationships



The left side of the diagram (labeled 'Local') represents the HD11 system being described in this DICOM Conformance Statement. The right side (labeled 'Remote') represents

equipment that HD11 is meant to exchange information with (the Hospital/Clinic), and the vertical line in between is the DICOM Interface.

The long rectangular gray box represents the one and only Application Entity that is used in the implementation of all HD11's DICOM services. This single AE supports all the HD11 services: print, storage, storage commitment, verification, MWL and MPPS.

Since an AE must have a unique AE Title across a hospitals network (HIS), the user can configure the AE's title through setup. The dotted rectangular boxes within the Application Entity represent the various DICOM services used (SCU) and supported (SCP).

The circles, on the left side of the diagram, represent real-world activities that a user can perform with the HD11 system, such as saving a study and acquiring an image.

The diagram shows that HD11 supports storing images to a remote PACS, as well as transferring ownership of the images to an image manager so that the study can automatically be deleted from HD11's hard-drive.

Images can be:

1. Sent to the primary (and if configured secondary) Storage SCP as soon as they are acquired (circle 'Acquire Image'), this is called send-as-you-go mode.
2. Batched up and sent all at once each time the study is saved (circle 'Save Study').
3. A study can be selected, by the user, from a list of studies on HD11's local hard-drive, and manually exported (circle 'Manual Store').

HD11 also supports printing studies to a grayscale or color DICOM printer. As with storing studies to a remote PACS, images can be printed as soon as they are acquired (but only when there are enough to fill a page); they can be batched for printing all at once when the study is saved, or the study can be selected manually for printing.

If color images are sent to a grayscale printer, they will be converted to grayscale. If both a color and grayscale printer is configured, color images will be routed to the color printer and grayscale images will be routed to the grayscale printer.

HD11 supports Modality Worklists (MWL) and Modality Performed Procedure Step (MPPS.) These two capabilities work together to allow HD11 to communicate with a Hospital Information System (HIS) to obtain and display lists of patients scheduled for imaging procedures and to update the HIS whenever the status of a scheduled procedure changes (for example, when a scheduled study is completed.)

The diagram shows that when a study is started (circle 'Start Study'), HD11 sends an MPPS Study Started message to the department system scheduler (MPPS SCP) and when the user finishes the study a MPPS Study Completed message is sent to the department system scheduler (circle 'Save Study'). It also shows that the user can discontinue a study (circle 'Don't Save Study'), in which case a MPPS Study Discontinued message is sent to the department system scheduler.

The user can disconnect the network cable and use HD11 in walk-about or portable mode. When reconnected to the network, HD11 will process any queued jobs including storage, printing and Storage Commitment. Queued MPPS status updates will also be

performed. Also, on reconnect, HD11 resumes the periodic retrieval of the modality worklist.

1.1.2 Removable Media Relationships

Context: Expansion of Headings and sub-headings

- Implementation Model
 - Application Data Flow Diagrams
 - Removable Media Relationships

The diagram in Figure 1.1-2 represents the relationship between HD11's Application Entity and its use of DICOM to real-world activities. Figure 1.1-2 shows the relationships for DICOM activities involving local storage to removable media.

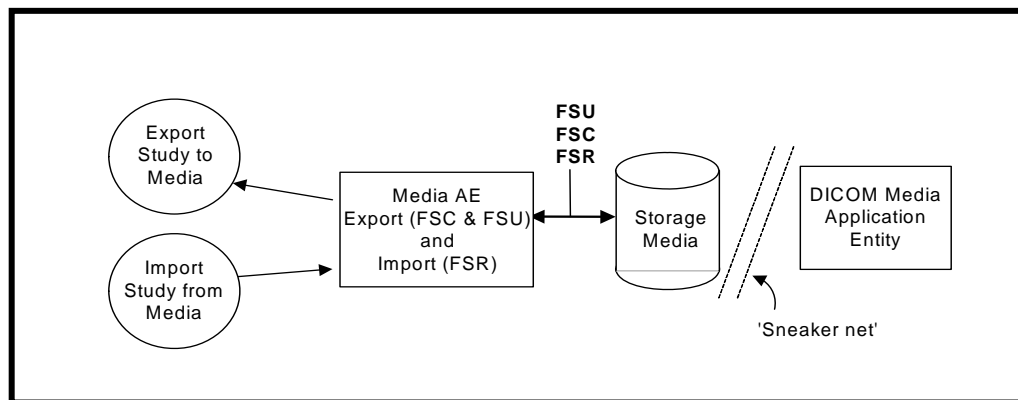


Figure 1.1-2 Removable Media Relationships

As with the previous diagram, circles represent real-world activities performed on the HD11 system.

The diagram shows that HD11 supports the writing of DICOM studies to the ultrasound systems removable media (CD-R, CD-RW or MOD). This is useful for exporting the studies to the image archive when the hospital's network is down. It is also useful for long term archival to CD of studies for sites that have not purchased the networking capability provided in the 'Networking' package.

HD11 can read back into the system 2D DICOM studies (or proprietary backup format studies) that it, another HD11 system or a Philips EnVisor system has previously written to removable media.

3D studies created on an EnVisor cannot be imported into an Eclipse system. If an EnVisor study contains one (or more) 3D images then on reading the study from media, none of the images in the study will be imported into Eclipse and the study will not appear in the 'Search for Studies' screen. Also, since HD11 is not an image archive but an image modality, it will not allow a user to read studies into the system that were not generated by an HD11 (or EnVisor) system.

The rationale behind allowing HD11 to read 2D studies generated by a Philips EnVisor system is that HD11 is a potential 'next' purchase for EnVisor customers. It is an upgrade and therefore the customer would want to be able to read studies that they

generated with the EnVisor. However, the opposite is not true – an EnVisor system will not be able to read studies generated by an HD11 system.

I.2 Functional Definition of HD11 AE

Context: Expansion of Headings and sub-headings

- Implementation Model
 - Functional Definition of HD11 AE

HD11 is implemented as a single AE. The DICOM AE Title and Port number are configurable by the user through the 'Setup' screens. The default AE Title that HD11 will use is the host name of the computer. Since AE Titles must be unique across a hospital's network and computer names must also be unique, some institutions institute a policy where the AE Title is derived from the computer name. HD11 supports this by allowing the user to specify a fixed string for a prefix and suffix. The AE Title is then generated from the prefix, the computer's name and the suffix.

The default port number is 104 but as with the AE Title, the port number can be configured by the user.

There are ten real-world activities that the HD11 AE performs. These are:

1. Storage of DICOM studies to a PACS,
2. Issuing of Storage Commitment requests to an image manager,
3. Verification of the existence of DICOM servers on the hospital's network,
4. Printing DICOM studies to a B&W or color printer,
5. Responding to a verification request from a remote DICOM server,
6. Saving a DICOM study to removable media,
7. Reading a DICOM study from removable media,
8. Writing and Reading a study to/from removable media in Non-DICOM formats
9. Obtaining a list of scheduled work from the HIS via the MWL Server, and
10. Updating the HIS whenever a scheduled procedure changes using the MPPS Server.

These real-world activities are described, in general terms, in the following sub-sections.

1.2.1 Storage of DICOM studies to a PACS

Context: Expansion of Headings and sub-headings

- Implementation Model
 - Functional Definition of HD11 AE
 - Storage of DICOM studies to a PACS

HD11 acts as a Service Class User (SCU) of the 'Ultrasound Image Store' SOP Class using DIMSE C-STORE commands to transmit images to the storage server. It provides a set of DICOM configuration settings used to set up the network interface and storage options. The configurable options include specification of the DICOM storage server (host-name, port number and AE Title). These options can be accessed through the DICOM Setup screen.

Just before the first image is sent from the system, the storage AE establishes an association with the primary (and if configured secondary) storage SCP and maintains the open association as long as images for storage are in the queue to that SCP. If the queue empties, the storage AE will close the association. This process will repeat for subsequent images. Therefore, images sent quickly one after the other would share the same association. This reduces overhead and improves performance. Therefore

- In Batch Mode, where all the images are sent to the storage SCP when the user closes (and saves) the study, all the images will be sent on the same association.
- In send-as-you-go mode, where the images are sent one-at-a-time as the user acquires them, each image will be sent on a separate association.

If any images in a study are not successfully stored to the Storage SCP, then the study is marked with an icon indicating failure in the 'Search for Study' screen. If the user subsequently manually exports the study, all the images will be resent to the Primary Storage SCP and (if defined) the Secondary Storage SCP (both those that were previously successfully stored and those that failed). The Storage SCP will detect, without detrimental consequences (per the DICOM standard), that some images are duplicates.

1.2.1.1 Monochromization and Intelli-Store

Context: Expansion of Headings and sub-headings

- Implementation Model
 - Functional Definition of HD11 AE
 - Storage of DICOM studies to a PACS
 - Monochromization and Intelli-Store

HD11 allows the user to select photometric interpretation and transfer syntax of the image pixel data so that HD11's images can be viewed with a wide range of DICOM viewers. HD11 supports RGB, PALETTE_COLOR, MONOCHROME2 and

YBR_FULL_422 photometric interpretations. If MONOCHROME2 is selected, the color images are monochromized (converted to 8 bit grayscale) before transfer to PACS.

Intelli-store feature of HD11 allows the user to send Black & White images in MONOCHROME2 format and color images in a different format (e.g. RGB or YBR)

1.2.2 Issuing of Storage Commitment requests to an image manager

HD11 serves as a Storage SCU and sends images to a remote DICOM PACS.

1.2.2.1 Batch Mode and Manual Export

Context: Expansion of Headings and sub-headings

- Implementation Model
 - Functional Definition of HD11 AE
 - Issuing of Storage Commitment requests to an image manager
 - Batch Mode and Manual Export

Storage commitment is applicable only for Primary Storage SCP. If the user has configured, through DICOM setup, a Storage Commitment server, then after the last image of the study is stored to the storage SCP, HD11 will generate an N-Action to request Storage Commitment by the Storage Commitment SCP of all the images that were successfully stored. Storage Commitment will not be requested for images that the Primary Storage SCP rejected.

The N-Action command contains a list of Image SOP Instance UIDs. After the Storage Commitment SCP sends the N-ACTION-RSP, HD11 immediately closes the association without waiting for the N-EVENT-REPORT from the Storage Commitment SCP.

Some time later, the Storage Commitment SCP will open an association with HD11's AE using reverse-role negotiation, and will send an N-Event Report with a list of the Image SOP Instance UIDs that were successfully committed and if applicable, a list of those that were not.

HD11 will reject an association requested by a Storage Commitment SCP that does not employ role-reversal.

I.2.2.2 Send-As-You-Go Mode

Context: Expansion of Headings and sub-headings

- Implementation Model
 - Functional Definition of HD11 AE
 - Issuing of Storage Commitment requests to an image manager
 - Send-As-You-Go Mode

If the user has configured, through DICOM setup, a Storage Commitment server, then after each image of the study is successfully stored to the storage SCP, HD11 will generate an N-Action to request Storage Commitment of the image by the Storage Commitment SCP.

Therefore, in send-as-you-go mode, where the images are sent one-at-a-time as the user acquires them, multiple N-Action requests are generated and sent to Storage Commitment SCP. One N-Action request corresponds to one image.

The N-Action command contains the transaction UID of the just acquired image. HD11 then, as with batch mode, closes the association and waits for a reply from the STORAGE COMMITMENT server.

I.2.3 Verification of the existence of DICOM server on the hospitals network

Context: Expansion of Headings and sub-headings

- Implementation Model
 - Functional Definition of HD11 AE
 - Verification of the existence of DICOM server on the hospitals network

When the user configures one of the SCP servers (for example the Storage SCP or B&W printer SCP), he/she can optionally 'ping' the SCP to verify it is a DICOM server, it is on-line and it is enabled to communicate with this HD11 system.

When the user requests a 'DICOM Ping', the verification SCU will initiate an association with the remote server and send a C-Echo request to the server.

1.2.4 Printing DICOM studies to a B&W or color printer

HD11 serves as a print SCU and sends images to a remote DICOM print device.

1.2.4.1 Monochromization and Intelli-print

Context: Expansion of Headings and sub-headings

- Implementation Model
 - Functional Definition of HD11 AE
 - Printing DICOM studies to a B&W or color printer
 - Monochromization and intelli-print

The operator can configure up to two print SCPs: one B&W and one COLOR. If only a B&W print SCP is configured, then color images will be converted to grayscale. If both B&W and color print SCP's are defined then HD11 uses an "intelli-print" process to send color images to the color SCP and grayscale images to the B&W SCP.

If both a color and BW printer are configured, HD11 creates two separate requests for printing, one for the color images in the study and the other for the gray images. These two requests lead to two separate Print Jobs, and since, HD11 executes only one print job at a time, these jobs would be executed sequentially.

1.2.4.2 Batch Mode and Manual Print

Context: Expansion of Headings and sub-headings

- Implementation Model
 - Functional Definition of HD11 AE
 - Printing DICOM studies to a B&W or color printer
 - Batch Mode and Manual Print

In Batch Mode, where all the images are printed when the user closes (and saves) the study, all the images will be sent on the same association. Each page will contain the configured number of images. The last page may be a partial page if there are not enough images to fill the page; this ensures that a printed page cannot have images from multiple studies

I.2.4.3 Send-As-You-Go Mode

Context: Expansion of Headings and sub-headings

- Implementation Model
 - Functional Definition of HD11 AE
 - Printing DICOM studies to a B&W or color printer
 - Send-As-You-Go Mode

In send-as-you-go mode, as images are acquired they are held until a full page of images is ready for printing. When a full page of images is ready for printing, HD11 will open an association with the printer, send the images and then close the association.

When the study is closed (or Saved), any partially filled page is printed. As with Batch Mode, this ensures that a printed page cannot have images from multiple studies

I.2.5 Responding to a verification request from a remote DICOM server

Context: Expansion of Headings and sub-headings

- Implementation Model
 - Functional Definition of HD11 AE
 - Responding to a verification request from a remote DICOM server

The ultrasound system employs a Verification SCP to reply to verification requests sent by remote devices. This will allow the remote device to ensure the availability of HD11 on the network, within the constraints of the network topology, and timeout values.

HD11 employs a 'high security' paradigm for responding to verification requests by remote devices. This means, HD11 will only respond to C-Echo requests from DICOM Servers that it knows about. Specifically, the following steps must have been performed:

1. In DICOM Setup, add the DICOM server to the list of DICOM servers.
2. Assign the server to the appropriate role.
3. Reboot the system.

Note: Philips considers step 3 (the reboot) a limitation that may be removed in some future release.

I.2.6 Saving a DICOM study to removable media

Context: Expansion of Headings and sub-headings

- Implementation Model
 - Functional Definition of HD11 AE
 - Saving a DICOM study to removable media

HD11 is a DICOM file set creator (FSC) and updater (FSU). Studies can be saved (exported) to HD11's removable media (CD-R, CD-RW or MOD), in DICOM format, for long-term storage. Also, if a customer chooses not to purchase DICOM Networking, then DICOM media can be used as a 'sneaker-net' to get DICOM studies off HD11 and onto the PACS.

I.2.7 Reading a DICOM study from removable media

Context: Expansion of Headings and sub-headings

- Implementation Model
 - Functional Definition of HD11 AE
 - Reading a DICOM study from removable media

HD11 is a DICOM file set reader (FSR). Studies that HD11 has saved to removable media may also be loaded into another HD11 system or even into the same HD11 system (as long as the original study has already been deleted). Since HD11 is not an image review station, it will check the originator of the study and only import studies created by another HD11 system.

I.2.8 Writing and Reading a study to/from removable media in Non-DICOM formats

Context: Expansion of Headings and sub-headings

- Implementation Model
 - Functional Definition of HD11 AE
 - Writing and Reading a study to/from removable media in Non-DICOM formats

Users that do not purchase DICOM Media can write the images in DICOM studies to removable media as bmp's and AVI's. They can also write a study to removable media in an HD11 proprietary format that includes patient demographic information and can be read back into (the same) or another HD11 system. This format, however, is not DICOM and cannot be read by non-HD11 systems. EnVisor also allowed the user to write a study to removable media in an EnVisor proprietary format that includes patient

demographic information. HD11 will be able to read studies generated in the EnVisor proprietary format.

1.2.9 Obtaining a list of scheduled work from the HIS via the MWL Server

Context: Expansion of Headings and sub-headings

- Implementation Model
 - Functional Definition of HD11 AE
 - Obtaining a list of scheduled work from the HIS via the MWL Server

HD11 acts as a Service Class User (SCU) of the 'Modality Worklist (MWL)' SOP Class using DIMSE C-FIND commands to retrieve lists of scheduled protocols (imaging sessions) from the HIS.

A set of standard MWL queries is available (e.g. Show today's worklist entries, show today's worklist entries assigned to this system, show yesterday, today and tomorrow's worklist entries etc.). The user can also configure their own queries based on start date, AE Title of performing HD11 etc.

The current work lists can be retrieved manually (when the HD11 system is connected to the network) or automatically polled in the background.

1.2.10 Updating the status of a scheduled procedure using the MPPS Server

Context: Expansion of Headings and sub-headings

- Implementation Model
 - Functional Definition of HD11 AE
 - Updating the status of a scheduled procedure using the MPPS Server

HD11 also acts as a Service Class User (SCU) of the 'Modality Performed Procedure Step (MPPS)' SOP Class.

The start procedure message (N-CREATE) is sent when the user presses the OK button on the Patient ID Window to bring up live imaging. The MPPS Server is also notified, with a N-SET command, when the study is completed (when the study is saved to HD11's disk and closed), or when it is discontinued (when the study is closed without saving.)

I.3 Sequencing of Real-World Activities

Context: Expansion of Headings and sub-headings

- Implementation Model
 - Sequencing of Real-World Activities

For printing and storing using the Print Gray Image, Print Color Image, and Store Image commands, the user must have previously completed the Patient ID screen (which creates a study). For accessing and updating procedures scheduled by the HIS, the HD11 user must first select a patient from the Patient Selection screen which displays a list of patients scheduled for procedures on HD11.

2. Application Entity Specifications

HD11 is implemented as a single AE.

2.1 HD11 AE Specification

2.1.1 Association Establishment Policies

2.1.1.1 General

Context: Expansion of Headings and sub-headings

- Application Entity Specifications
 - HD11 AE Specification
 - Association Establishment Policies
 - General

The following Application Context Name will be proposed and recognized by HD11:

- DICOM 3.0 Application Context **1.2.840.10008.3.1.1.1**

The PDU size is configurable with a minimum size of 100 and a maximum size of 16,000.

The default PDU size is 16,000.

2.1.1.2 Number of Associations

Context: Expansion of Headings and sub-headings

- Application Entity Specifications
 - HD11 AE Specification
 - Association Establishment Policies
 - Number of Associations

HD11 **establishes** one association per destination at a time. The total number of associations possible at one time is seven: 1 B&W printer, 1 Color printer, 1 Primary Storage Server, 1 Secondary Storage Server, 1 Storage Commitment server, 1 MWL server, and 1 MPPS server.

HD11 accepts simultaneous associations for Storage Commitment and Verification. If multiple servers issue a Storage Commitment or verification request at the same time, HD11 will accept all the associations. The maximum number of simultaneous associations **accepted** by HD11 is limited only by resource constraints.

2.1.1.3 Asynchronous Nature

Context: Expansion of Headings and sub-headings

- Application Entity Specifications
 - HD11 AE Specification
 - Association Establishment Policies
 - Asynchronous Nature

HD11 allows a single outstanding operation on any association. Therefore, HD11 does not support asynchronous operations window negotiation, other than Storage Commitment reverse-role negotiation for N-Event Report's.

2.1.1.4 Implementation Identifying Information

Context: Expansion of Headings and sub-headings

- Application Entity Specifications
 - HDII AE Specification
 - Association Establishment Policies
 - Implementation Identifying Information

Element	Implementation Value
Implementation Class UID	I.2.840.113543.6.6.4.6
Implementation Version Name	HDII_V1.0.7

Table I: Implementation Identifying

Note: This Class UID and Version Name will be used for the release of HDII described in this DICOM Conformance Statement. The Class UID and Version Name may be updated with subsequent HDII releases to capture the version level of the new release, however the Implementation Version Name for the HDII product will always start with the characters “HDII” and the Implementation Class UID will always be of the form I.2.840.113543.6.6.4.n

2.1.2 Association Initiation by Real-World Activity

2.1.2.1 Storage of DICOM studies to a PACS

Context: Expansion of Headings and sub-headings

- Application Entity Specifications
 - HDI I AE Specification
 - Association Initiation by Real-World Activity
 - Storage of DICOM studies to a PACS

The HDI I provides standard conformance to the following DICOM V3.0 SOP Classes as an SCU:

SOP Class Name	SOP Class UID	Role
Ultrasound Multi-frame Image Storage	1.2.840.10008.5.1.4.1.1.3.1	SCU
Ultrasound Image Storage	1.2.840.10008.5.1.4.1.1.6.1	SCU

Table 2: SOP Classes Supported by Network Storage AE

2.1.2.1.1 Associated Real-World activity

Context: Expansion of Headings and sub-headings

- Application Entity Specifications
 - HD11 AE Specification
 - Association Initiation by Real-World Activity
 - Storage of DICOM studies to a PACS
 - Associated Real-World activity

The real world activities that will trigger HD11 to initiate an association with the Primary and, if configured, the Secondary Storage Server is dependent on the mode of operation:

1. In Manual mode

An association is initiated when the user selects a study from the list of studies on HD11’s local hard-drive and requests that the selected study be exported to the PACS.

2. In Send-As-You-Go mode

An association is initiated when the first image is acquired. HD11 will close the association after the image has been stored. A new association will be initiated when the next image is acquired.

3. In Batch mode

An association is initiated whenever the user saves the study. The images that have been acquired since the previous ‘save’ are stored to the PACS. To enhance network performance images that have already been stored to the PACS are not resent.

Store Association Negotiation - Association Status (Send-As-You-Go mode)

User Action	DICOM Activity – Store Send As You Go Mode
Acquires Image from system	Association Negotiation, then C-Store for the acquired image, then Association Release Request is sent.

Store Association Negotiation - Association Status (Batch Mode & Manual Mode)

User Action	DICOM Activity – Store
Save Study	Association Negotiation then C-Store until all images sent, then Association Release Request is sent.

The user can also configure the photometric interpretation and transfer syntax of the image pixel data so that HD11's images can be viewed with a wide range of DICOM viewers.

For an export to the PACS the user can specify different image formats for the Primary and Secondary Storage SCP.

The user can choose from one of the following image formats:

- Palette Color, RLE Compressed
- Palette Color, Uncompressed (Implicit VR, Little Endian)
- Palette Color, Uncompressed (Explicit VR, Little Endian)
- RGB, RLE Compressed
- RGB, Uncompressed (Implicit VR, Little Endian)
- RGB, Uncompressed (Explicit VR, Little Endian)
- YBR FULL 422, JPEG compressed.
- MONOCHROME2, RLE Compressed
- MONOCHROME2, Uncompressed (Implicit VR, Little Endian)
- MONOCHROME2, Uncompressed (Explicit VR, Little Endian)

It is possible for a user to configure the image format such that Black & White images are always sent using MONOCHROME2 format while color images are sent in a different format (as per user's selection). This feature is referred to as intelli-store.

Notes:

Palette Color – Pixels are indices into a palette

RGB - pixels are intensities of Red, Green and Blue color components

YBR FULL 422 - pixels are described by one luminance and two chrominance planes, sampled with twice as much luminance as chrominance

MONOCHROME2 – pixels are grayscale values with a range of 0-255, 0 represents a Black pixel and 255 represents a White pixel.

HD11 will try to negotiate the transfer using the appropriate transfer syntax as per the user selected image format. The Image transfer could fail if the storage SCP does not support the transfer syntax. In this case HD11 will report an error condition to the user in the 'Search for Studies' screen. Therefore, as a network administrator you should not configure HD11 to send the images in formats not supported by your image archive.

For manual export to removable media the user has the same choices of image format as supported in network export. The intelli-store feature is also available for export to removable media.

The table below describes the behavior of the Network Storage AE in response to various error conditions and C-STORE-RSP status indicators. After all images in the study have been processed, the association is closed.

Establishing the association

Condition (After C-Store)	Status Codes (C-Store-RSP)	Response
Could not establish the association within 30-second time window (Connect Timeout) due to NO RESPONSE from the Storage Server	Not Applicable	<p>The association attempt is aborted, and after 5-minutes a new association is attempted. HD11 will make three attempts to open an association with the configured Storage SCP before aborting the storage request and placing the job in an error state. The user can then manually restart the job at some later date. The failure is logged to the DICOM log file as an error.</p> <p>The 5-minute timeout and the number of retries are configurable by the user from the DICOM Setup screens. The 5-minute timeout is mapped to the 'Retry Interval' input control on the 'DICOM Setup screen and the number of retries is mapped to 'Maximum Retries' on the DICOM Setup screen.</p>
Refused	A7xx	<p>If the Storage SCP server refuses the association, then the association attempt is aborted. HD11 will wait 5-minutes and then reattempt the association. HD11 will make three attempts to establish the association before aborting the storage request and placing the job in an error state. The user can then manually restart the job at some later date. The failure is logged to the DICOM log file as an error.</p> <p>As an example, the association would be refused if the storage server employs a high security mechanism whereby it only accepts association requests from DICOM Servers that it knows about and the HD11's AE Title was not in the PACS database.</p> <p>The 5-minute timeout and the number of retries are configurable by the user from the DICOM Setup screens. The 5-minute timeout is mapped to the "Retry Interval" input control on the DICOM Setup screen and the retry is mapped to 'Maximum Retries' on the DICOM Setup Screen.</p>

During image transfer

Condition (After C-Store)	Status Codes (C-Store-RSP)	Response
After association has been accepted, there is no response to a request within 5-minute time window (Read Timeout).	Not Applicable	<p>If the association is lost during active image transfer to the Storage SCP server, HD11 will initiate a new association after 5 minutes, and attempt to store all the images. If during transfer, the association is again lost, HD11 will wait another 5 minutes and try again. HD11 will make three attempts to send all the images before aborting the storage request and placing the job in an error state. The user can then manually restart the job at some later date. The failure is logged to the DICOM log file as an error.</p> <p>The 5-minute timeout and the number of retries are configurable by the user from the DICOM Setup screens. The 5-minute timeout is mapped to the "Retry Interval" input control on the DICOM Setup screen and the retry is mapped to 'Maximum Retries' on the DICOM Setup Screen.</p>
Error	A9xx, Cxxx, 0122, Other	<p>HD11 will treat all errors as failure of Storage request (also called as Job). A failed job is automatically retried after 5 minutes. If the job fails even after three attempts, HD11 will abort this request and place the job in an Error state. The user can then manually restart the job at some later date. The failure is logged to the DICOM log file as an error.</p> <p>The 5-minute timeout and the number of retries are configurable by the user from the DICOM Setup screens. The 5-minute timeout is mapped to the "Retry Interval" input control on the DICOM Setup screen and the retry is mapped to 'Maximum Retries' on the DICOM Setup Screen.</p>
Warning	D000, B000, B006, B007 0111	If the Storage SCP issues a warning on a particular image (perhaps it had to use coercion, HD11 logs the warning to the DICOM log file as an informational event and continues on as if the image was successfully stored to the PACS (see row below).
Success	0000	When an image is successful store to the Storage SCP (PACS), HD11 will keep a record of the successful storage. If all the images in the job are successfully stored, HD11 will notify the user (through an icon on

Condition (After C-Store)	Status Codes (C-Store-RSP)	Response
		the list of studies). And the job will be removed from the job manager.

Table 3: Responses to Image Storage Error Conditions

If more images of the same study are presented to the HD11 system, additional associations will be initiated to transfer the remaining images using the same Study and Series Instance UIDs.

2.1.2.1.2 Proposed Presentation Context

Context: Expansion of Headings and sub-headings

- Application Entity Specifications
 - HD11 AE Specification
 - Association Initiation by Real-World Activity
 - Storage of DICOM studies to a PACS
 - Proposed Presentation Context

Each time the Network Storage service initiates an association in response to the store request, it requests services summarized in the table below.

Abstract Syntax		Transfer Syntax		Role	Extended Negotiation
Name	UID	Name List	UID List		
Ultrasound Image Storage SOP Class	1.2.840.10008.5.1.4.1.1.6.1	JPEG baseline (Used if Image Format is YBR)	1.2.840.10008.1.2.4.50	SCU	None
		DICOM RLE Lossless (Used if Image format is 'Palette Color, RLE Compressed' or 'RGB, RLE Compressed' or 'MONOCHROME2, RLE Compressed')	1.2.840.10008.1.2.5		
		DICOM Implicit VR Little Endian (Used if Image format is 'Palette Color, Uncompressed ILE' or 'RGB, Uncompressed ILE' or 'MONOCHROME2, Uncompressed ILE')	1.2.840.10008.1.2		
		DICOM Explicit VR Little Endian (Used if Image format is 'Palette Color, Uncompressed ELE' or 'RGB, Uncompressed ELE' or 'MONOCHROME2, Uncompressed ELE')	1.2.840.10008.1.2.1		

Abstract Syntax		Transfer Syntax		Role	Extended Negotiation
Name	UID	Name List	UID List		
Ultrasound Multi-frame Image Storage SOP Class	1.2.840.10008.5.1.4.1.1.3.1	JPEG baseline (Used if Image Format is YBR)	1.2.840.10008.1.2.4.50	SCU	None
		DICOM RLE Lossless (Used if Image format is 'Palette Color, RLE Compressed' or 'RGB, RLE Compressed' or 'MONOCHROME2, RLE Compressed')	1.2.840.10008.1.2.5		
		DICOM Implicit VR Little Endian (Used if Image format is 'Palette Color, Uncompressed ILE' or 'RGB, Uncompressed ILE' or 'MONOCHROME2, Uncompressed ILE')	1.2.840.10008.1.2		
		DICOM Explicit VR Little Endian (Used if Image format is 'Palette Color, Uncompressed ELE' or 'RGB, Uncompressed ELE' or 'MONOCHROME2, Uncompressed ELE')	1.2.840.10008.1.2.1		

Table 4: Transfer Syntaxes

The values of certain image attributes used in the transfer of each image depend on the Image Format as configured by the user in DICOM Setup (or specified during a manual export) as well as the type of image acquired.

The seven tables below, one for each image format, describe the relationships among these parameters.

I. Palette Color, RLE Compressed

Image Type	Resultant Attribute Values						
	Transfer Syntax (0002,0010)	File SOP Class UID (0002,0002)	Photometric Interpretation (0028,0004)	Samples Per Pixel (0028, 0002)	Bits allocated (0028, 0100)	Rows (0028, 0010)	Cols (0028, 0011)
2D B&W Image ¹	RLE Lossless (1.2.840.10008.1.2.5)	Ultrasound Image Storage (1.2.840.10008.5.1.4.1.1.6.1)	PALETTE COLOR	1	8	564 (520 without borders)	800 (688 without borders)
2D color Image	RLE Lossless (1.2.840.10008.1.2.5)	Ultrasound Image Storage (1.2.840.10008.5.1.4.1.1.6.1)	PALETTE COLOR	1	16	564 (520 without borders)	800 (688 without borders)
2D B&W loop	RLE Lossless (1.2.840.10008.1.2.5)	Ultrasound Multi-frame Image Storage (1.2.840.10008.5.1.4.1.1.3.1)	PALETTE COLOR	1	8	564 (520 without borders)	800 (688 without borders)
2D color loop	RLE Lossless (1.2.840.10008.1.2.5)	Ultrasound Multi-frame Image Storage (1.2.840.10008.5.1.4.1.1.3.1)	PALETTE COLOR	1	16	564 (520 without borders)	800 (688 without borders)
Stress B&W 'quad' loop	RLE Lossless (1.2.840.10008.1.2.5)	Ultrasound Multi-frame Image Storage (1.2.840.10008.5.1.4.1.1.3.1)	PALETTE COLOR	1	8	245	320
Stress color 'quad' loop	RLE Lossless (1.2.840.10008.1.2.5)	Ultrasound Multi-frame Image Storage (1.2.840.10008.5.1.4.1.1.3.1)	PALETTE COLOR	1	16	245	320
Report	RLE Lossless (1.2.840.10008.1.2.5)	Ultrasound Image Storage (1.2.840.10008.5.1.4.1.1.6.1)	PALETTE COLOR	1	16	564	800
3D single frame	Explicit VR Little Endian (1.2.840.10008.1.2.1)	Ultrasound Image Storage (1.2.840.10008.5.1.4.1.1.6.1)	RGB	3	8	564 (520 without borders)	800 (688 without borders)
3D multi frame	Explicit VR Little Endian (1.2.840.10008.1.2.1)	Ultrasound Multi-frame Image Storage (1.2.840.10008.5.1.4.1.1.3.1)	RGB	3	8	564 (520 without borders)	800 (688 without borders)
Panview	Explicit VR Little Endian (1.2.840.10008.1.2.1)	Ultrasound Image Storage (1.2.840.10008.5.1.4.1.1.6.1)	RGB	3	8	520	680

¹ 2D B&W Image include "Colorized" images, which map a sample to a color instead of a gray scale value.

	2.1)	I.4.1.1.6.1)					
--	------	--------------	--	--	--	--	--

2. Palette Color, Uncompressed (Implicit VR, Little Endian)

Resultant Attribute Values							
Image Type	Transfer Syntax (0002,0010)	File SOP Class UID (0002,0002)	Photometric Interpretation (0028,0004)	Samples Per Pixel (0028, 0002)	Bits allocated (0028, 0100)	Rows (0028, 0010)	Cols (0028, 0011)
2D B&W Image ²	Implicit VR Little Endian (1.2.840.10008.1.2)	Ultrasound Image Storage (1.2.840.10008.5.1.4.1.1.6.1)	PALETTE COLOR	1	8	564 (520 without borders)	800 (688 without borders)
2D color Image	Implicit VR Little Endian (1.2.840.10008.1.2)	Ultrasound Image Storage (1.2.840.10008.5.1.4.1.1.6.1)	PALETTE COLOR	1	16	564 (520 without borders)	800 (688 without borders)
2D B&W loop	Implicit VR Little Endian (1.2.840.10008.1.2)	Ultrasound Multi-frame Image Storage (1.2.840.10008.5.1.4.1.1.3.1)	PALETTE COLOR	1	8	564 (520 without borders)	800 (688 without borders)
2D color loop	Implicit VR Little Endian (1.2.840.10008.1.2)	Ultrasound Multi-frame Image Storage (1.2.840.10008.5.1.4.1.1.3.1)	PALETTE COLOR	1	16	564 (520 without borders)	800 (688 without borders)
Stress B&W 'quad' loop	Implicit VR Little Endian (1.2.840.10008.1.2)	Ultrasound Multi-frame Image Storage (1.2.840.10008.5.1.4.1.1.3.1)	PALETTE COLOR	1	8	245	320
Stress color 'quad' loop	Implicit VR Little Endian (1.2.840.10008.1.2)	Ultrasound Multi-frame Image Storage (1.2.840.10008.5.1.4.1.1.3.1)	PALETTE COLOR	1	16	245	320
Report	Implicit VR Little Endian (1.2.840.10008.1.2)	Ultrasound Image Storage (1.2.840.10008.5.1.4.1.1.6.1)	PALETTE COLOR	1	16	564	800
3D single frame	Explicit VR Little Endian (1.2.840.10008.1.2.1)	Ultrasound Image Storage (1.2.840.10008.5.1.4.1.1.6.1)	RGB	3	8	564 (520 without borders)	800 (688 without borders)
3D multi frame	Explicit VR Little Endian (1.2.840.10008.1.2.1)	Ultrasound Multi-frame Image Storage (1.2.840.10008.5.1.4.1.1.3.1)	RGB	3	8	564 (520 without borders)	800 (688 without borders)
Panview	Explicit VR Little Endian (1.2.840.10008.1.2.1)	Ultrasound Image Storage (1.2.840.10008.5.1.4.1.1.6.1)	RGB	3	8	520	680

3. Palette Color, Uncompressed (Explicit VR, Little Endian)

Resultant Attribute Values							
----------------------------	--	--	--	--	--	--	--

² 2D B&W Image include "Colorized" images, which map a sample to a color instead of a gray scale value. p

Image Type	Transfer Syntax (0002,0010)	File SOP Class UID (0002,0002)	Photometric Interpretation (0028,0004)	Samples Per Pixel (0028, 0002)	Bits allocated (0028, 0100)	Rows (0028, 0010)	Cols (0028, 0011)
2D B&W Image ³	Explicit VR Little Endian (1.2.840.10008.1.2.1)	Ultrasound Image Storage (1.2.840.10008.5.1.4.1.1.6.1)	PALETTE COLOR	1	8	564 (520 without borders)	800 (688 without borders)
2D color Image	Explicit VR Little Endian (1.2.840.10008.1.2.1)	Ultrasound Image Storage (1.2.840.10008.5.1.4.1.1.6.1)	PALETTE COLOR	1	16	564 (520 without borders)	800 (688 without borders)
2D B&W loop	Explicit VR Little Endian (1.2.840.10008.1.2.1)	Ultrasound Multi-frame Image Storage (1.2.840.10008.5.1.4.1.1.3.1)	PALETTE COLOR	1	8	564 (520 without borders)	800 (688 without borders)
2D color loop	Explicit VR Little Endian (1.2.840.10008.1.2.1)	Ultrasound Multi-frame Image Storage (1.2.840.10008.5.1.4.1.1.3.1)	PALETTE COLOR	1	16	564 (520 without borders)	800 (688 without borders)
Stress B&W 'quad' loop	Explicit VR Little Endian (1.2.840.10008.1.2.1)	Ultrasound Multi-frame Image Storage (1.2.840.10008.5.1.4.1.1.3.1)	PALETTE COLOR	1	8	245	320
Stress color 'quad' loop	Explicit VR Little Endian (1.2.840.10008.1.2.1)	Ultrasound Multi-frame Image Storage (1.2.840.10008.5.1.4.1.1.3.1)	PALETTE COLOR	1	16	245	320
Report	Explicit VR Little Endian (1.2.840.10008.1.2.1) (1.2.840.10008.1.2)	Ultrasound Image Storage (1.2.840.10008.5.1.4.1.1.6.1)	PALETTE COLOR	1	16	564	800
3D single frame	Explicit VR Little Endian (1.2.840.10008.1.2.1)	Ultrasound Image Storage (1.2.840.10008.5.1.4.1.1.6.1)	RGB	3	8	564 (520 without borders)	800 (688 without borders)
3D multi frame	Explicit VR Little Endian (1.2.840.10008.1.2.1)	Ultrasound Multi-frame Image Storage (1.2.840.10008.5.1.4.1.1.3.1)	RGB	3	8	564 (520 without borders)	800 (688 without borders)
Panview	Explicit VR Little Endian (1.2.840.10008.1.2.1)	Ultrasound Image Storage (1.2.840.10008.5.1.4.1.1.6.1)	RGB	3	8	520	680

4. RGB, RLE Compressed

Resultant Attribute Values							
Image Type	Transfer Syntax (0002,0010)	File SOP Class UID (0002,0002)	Photometric Interpretation (0028,0004)	Samples Per Pixel (0028, 0002)	Bits allocated (0028, 0100)	Rows (0028, 0010)	Cols (0028, 0011)

³ 2D B&W Image include "Colorized" images, which map a sample to a color instead of a gray scale value.

2D B&W Image ⁴	RLE Lossless (1.2.840.10008.1.2.5)	Ultrasound Image Storage (1.2.840.10008.5.1.4.1.1.6.1)	RGB	3	8	564 (520 without borders)	800 (688 without borders)
2D color Image	RLE Lossless (1.2.840.10008.1.2.5)	Ultrasound Image Storage (1.2.840.10008.5.1.4.1.1.6.1)	RGB	3	8	564 (520 without borders)	800 (688 without borders)
2D B&W loop	RLE Lossless (1.2.840.10008.1.2.5)	Ultrasound Multi-frame Image Storage (1.2.840.10008.5.1.4.1.1.3.1)	RGB	3	8	564 (520 without borders)	800 (688 without borders)
2D color loop	RLE Lossless (1.2.840.10008.1.2.5)	Ultrasound Multi-frame Image Storage (1.2.840.10008.5.1.4.1.1.3.1)	RGB	3	8	564 (520 without borders)	800 (688 without borders)
Stress B&W 'quad' loop	RLE Lossless (1.2.840.10008.1.2.5)	Ultrasound Multi-frame Image Storage (1.2.840.10008.5.1.4.1.1.3.1)	RGB	3	8	245	320
Stress color 'quad' loop	RLE Lossless (1.2.840.10008.1.2.5)	Ultrasound Multi-frame Image Storage (1.2.840.10008.5.1.4.1.1.3.1)	RGB	3	8	245	320
Report	RLE Lossless (1.2.840.10008.1.2.5)	Ultrasound Image Storage (1.2.840.10008.5.1.4.1.1.6.1)	RGB	3	8	564	800
3D single frame	Explicit VR Little Endian (1.2.840.10008.1.2.1)	Ultrasound Image Storage (1.2.840.10008.5.1.4.1.1.6.1)	RGB	3	8	564 (520 without borders)	800 (688 without borders)
3D multi frame	Explicit VR Little Endian (1.2.840.10008.1.2.1)	Ultrasound Multi-frame Image Storage (1.2.840.10008.5.1.4.1.1.3.1)	RGB	3	8	564 (520 without borders)	800 (688 without borders)
Panview	Explicit VR Little Endian (1.2.840.10008.1.2.1)	Ultrasound Image Storage (1.2.840.10008.5.1.4.1.1.6.1)	RGB	3	8	520	680

5. RGB, Uncompressed (Implicit VR, Little Endian)

Image Type	Resultant Attribute Values						
	Transfer Syntax (0002,0010)	File SOP Class UID (0002.0002)	Photometric Interpretation (0028,0004)	Samples Per Pixel (0028, 0002)	Bits allocated (0028, 0100)	Rows (0028, 0010)	Cols (0028, 0011)
2D B&W Image ⁵	Implicit VR Little Endian (1.2.840.10008.1.2)	Ultrasound Image Storage (1.2.840.10008.5.1.4.1.1.6.1)	RGB	3	8	564 (520 without borders)	800 (688 without borders)

⁴ 2D B&W Image include "Colorized" images, which map a sample to a color instead of a gray scale value.

2D color Image	Implicit VR Little Endian (1.2.840.10008.1.2)	Ultrasound Image Storage (1.2.840.10008.5.1.4.1.1.6.1)	RGB	3	8	564 (520 without borders)	800 (688 without borders)
2D B&W loop	Implicit VR Little Endian (1.2.840.10008.1.2)	Ultrasound Multi-frame Image Storage (1.2.840.10008.5.1.4.1.1.3.1)	RGB	3	8	564 (520 without borders)	800 (688 without borders)
2D color loop	Implicit VR Little Endian (1.2.840.10008.1.2)	Ultrasound Multi-frame Image Storage (1.2.840.10008.5.1.4.1.1.3.1)	RGB	3	8	564 (520 without borders)	800 (688 without borders)
Stress B&W 'quad' loop	Implicit VR Little Endian (1.2.840.10008.1.2)	Ultrasound Multi-frame Image Storage (1.2.840.10008.5.1.4.1.1.3.1)	RGB	3	8	245	320
Stress color 'quad' loop	Implicit VR Little Endian (1.2.840.10008.1.2)	Ultrasound Multi-frame Image Storage (1.2.840.10008.5.1.4.1.1.3.1)	RGB	3	8	245	320
Report	Implicit VR Little Endian (1.2.840.10008.1.2)	Ultrasound Image Storage (1.2.840.10008.5.1.4.1.1.6.1)	RGB	3	8	564	800
3D single frame	Explicit VR Little Endian (1.2.840.10008.1.2.1)	Ultrasound Image Storage (1.2.840.10008.5.1.4.1.1.6.1)	RGB	3	8	564 (520 without borders)	800 (688 without borders)
3D multi frame	Explicit VR Little Endian (1.2.840.10008.1.2.1)	Ultrasound Multi-frame Image Storage (1.2.840.10008.5.1.4.1.1.3.1)	RGB	3	8	564 (520 without borders)	800 (688 without borders)
Panview	Explicit VR Little Endian (1.2.840.10008.1.2.1)	Ultrasound Image Storage (1.2.840.10008.5.1.4.1.1.6.1)	RGB	3	8	520	680

6. RGB, Uncompressed (Explicit VR, Little Endian)

Image Type	Resultant Attribute Values						
	Transfer Syntax (0002,0010)	File SOP Class UID (0002,0002)	Photometric Interpretation (0028,0004)	Samples Per Pixel (0028, 0002)	Bits allocated (0028, 0100)	Rows (0028, 0010)	Cols (0028, 0011)
2D B&W Image ⁵	Explicit VR Little Endian (1.2.840.10008.1.2.1)	Ultrasound Image Storage (1.2.840.10008.5.1.4.1.1.6.1)	RGB	3	8	564 (520 without borders)	800 (688 without borders)
2D color Image	Explicit VR Little Endian (1.2.840.10008.1.2.1)	Ultrasound Image Storage (1.2.840.10008.5.1.4.1.1.6.1)	RGB	3	8	564 (520 without borders)	800 (688 without borders)

⁵ 2D B&W Image include "Colorized" images, which map a sample to a color instead of a gray scale value.

⁶ 2D B&W Image include "Colorized" images, which map a sample to a color instead of a gray scale value.

	2.1)	I.4.1.1.6.1)				borders)	borders)
2D B&W loop	Explicit VR Little Endian (1.2.840.10008.1.2.1)	Ultrasound Multi-frame Image Storage (1.2.840.10008.5.1.4.1.1.3.1)	RGB	3	8	564 (520 without borders)	800 (688 without borders)
2D color loop	Explicit VR Little Endian (1.2.840.10008.1.2.1)	Ultrasound Multi-frame Image Storage (1.2.840.10008.5.1.4.1.1.3.1)	RGB	3	8	564 (520 without borders)	800 (688 without borders)
Stress B&W 'quad' loop	Explicit VR Little Endian (1.2.840.10008.1.2.1)	Ultrasound Multi-frame Image Storage (1.2.840.10008.5.1.4.1.1.3.1)	RGB	3	8	245	320
Stress color 'quad' loop	Explicit VR Little Endian (1.2.840.10008.1.2.1)	Ultrasound Multi-frame Image Storage (1.2.840.10008.5.1.4.1.1.3.1)	RGB	3	8	245	320
Report	Explicit VR Little Endian (1.2.840.10008.1.2.1) (1.2.840.10008.1.2)	Ultrasound Image Storage (1.2.840.10008.5.1.4.1.1.6.1)	RGB	3	8	564	800
3D single frame	Explicit VR Little Endian (1.2.840.10008.1.2.1)	Ultrasound Image Storage (1.2.840.10008.5.1.4.1.1.6.1)	RGB	3	8	564 (520 without borders)	800 (688 without borders)
3D multi frame	Explicit VR Little Endian (1.2.840.10008.1.2.1)	Ultrasound Multi-frame Image Storage (1.2.840.10008.5.1.4.1.1.3.1)	RGB	3	8	564 (520 without borders)	800 (688 without borders)
Panview	Explicit VR Little Endian (1.2.840.10008.1.2.1)	Ultrasound Image Storage (1.2.840.10008.5.1.4.1.1.6.1)	RGB	3	8	520	680

7. MONOCHROME2, RLE Compressed

Resultant Attribute Values							
Image Type	Transfer Syntax (0002,0010)	File SOP Class UID (0002,0002)	Photometric Interpretation (0028,0004)	Samples Per Pixel (0028, 0002)	Bits allocated (0028, 0100)	Rows (0028, 0010)	Cols (0028, 0011)
2D B&W Image	RLE Lossless (1.2.840.10008.1.2.5)	Ultrasound Image Storage (1.2.840.10008.5.1.4.1.1.6.1)	MONOCHROME2	1	8	564 (520 without borders)	800 (688 without borders)
2D color Image	RLE Lossless (1.2.840.10008.1.2.5)	Ultrasound Image Storage (1.2.840.10008.5.1.4.1.1.6.1)	MONOCHROME2	1	8	564 (520 without borders)	800 (688 without borders)
2D B&W loop	RLE Lossless (1.2.840.10008.1.2.5)	Ultrasound Multi-frame Image Storage (1.2.840.10008.5.1.4.1.1.3.1)	MONOCHROME2	1	8	564 (520 without borders)	800 (688 without borders)
2D color loop	RLE Lossless	Ultrasound Multi-	MONOCHROME2	1	8	564	800

	(1.2.840.10008.1.2.5)	frame Image Storage (1.2.840.10008.5.1.4.1.1.3.1)				(520 without borders)	(688 without borders)
Stress B&W 'quad' loop	RLE Lossless (1.2.840.10008.1.2.5)	Ultrasound Multi-frame Image Storage (1.2.840.10008.5.1.4.1.1.3.1)	MONOCHROME2	1	8	245	320
Stress color 'quad' loop	RLE Lossless (1.2.840.10008.1.2.5)	Ultrasound Multi-frame Image Storage (1.2.840.10008.5.1.4.1.1.3.1)	MONOCHROME2	1	8	245	320
Report	RLE Lossless (1.2.840.10008.1.2.5)	Ultrasound Image Storage (1.2.840.10008.5.1.4.1.1.6.1)	MONOCHROME2	1	8	564	800
3D single frame	Explicit VR Little Endian (1.2.840.10008.1.2.1)	Ultrasound Image Storage (1.2.840.10008.5.1.4.1.1.6.1)	RGB	3	8	564 (520 without borders)	800 (688 without borders)
3D multi frame	Explicit VR Little Endian (1.2.840.10008.1.2.1)	Ultrasound Multi-frame Image Storage (1.2.840.10008.5.1.4.1.1.3.1)	RGB	3	8	564 (520 without borders)	800 (688 without borders)
Panview	Explicit VR Little Endian (1.2.840.10008.1.2.1)	Ultrasound Image Storage (1.2.840.10008.5.1.4.1.1.6.1)	RGB	3	8	520	680

8. MONOCHROME2, Uncompressed (Implicit VR, Little Endian)

Resultant Attribute Values							
Image Type	Transfer Syntax (0002,0010)	File SOP Class UID (0002,0002)	Photometric Interpretation (0028,0004)	Samples Per Pixel (0028,0002)	Bits allocated (0028,0100)	Rows (0028,0010)	Cols (0028,0011)
2D B&W Image	Implicit VR Little Endian (1.2.840.10008.1.2)	Ultrasound Image Storage (1.2.840.10008.5.1.4.1.1.6.1)	MONOCHROME2	1	8	564 (520 without borders)	800 (688 without borders)
2D color Image	Implicit VR Little Endian (1.2.840.10008.1.2)	Ultrasound Image Storage (1.2.840.10008.5.1.4.1.1.6.1)	MONOCHROME2	1	8	564 (520 without borders)	800 (688 without borders)
2D B&W loop	Implicit VR Little Endian (1.2.840.10008.1.2)	Ultrasound Multi-frame Image Storage (1.2.840.10008.5.1.4.1.1.3.1)	MONOCHROME2	1	8	564 (520 without borders)	800 (688 without borders)
2D color loop	Implicit VR Little Endian (1.2.840.10008.1.2)	Ultrasound Multi-frame Image Storage (1.2.840.10008.5.1.4.1.1.3.1)	MONOCHROME2	1	8	564 (520 without borders)	800 (688 without borders)

Stress B&W 'quad' loop	Implicit VR Little Endian (1.2.840.10008.1.2)	Ultrasound Multi-frame Image Storage (1.2.840.10008.5.1.4.1.1.3.1)	MONOCHROME2	1	8	245	320
Stress color 'quad' loop	Implicit VR Little Endian (1.2.840.10008.1.2)	Ultrasound Multi-frame Image Storage (1.2.840.10008.5.1.4.1.1.3.1)	MONOCHROME2	1	8	245	320
Report	Implicit VR Little Endian (1.2.840.10008.1.2)	Ultrasound Image Storage (1.2.840.10008.5.1.4.1.1.6.1)	MONOCHROME2	1	8	564	800
3D single frame	Explicit VR Little Endian (1.2.840.10008.1.2.1)	Ultrasound Image Storage (1.2.840.10008.5.1.4.1.1.6.1)	RGB	3	8	564 (520 without borders)	800 (688 without borders)
3D multi frame	Explicit VR Little Endian (1.2.840.10008.1.2.1)	Ultrasound Multi-frame Image Storage (1.2.840.10008.5.1.4.1.1.3.1)	RGB	3	8	564 (520 without borders)	800 (688 without borders)
Panview	Explicit VR Little Endian (1.2.840.10008.1.2.1)	Ultrasound Image Storage (1.2.840.10008.5.1.4.1.1.6.1)	RGB	3	8	520	680

9. MONOCHROME2, Uncompressed (Explicit VR, Little Endian)

Resultant Attribute Values							
Image Type	Transfer Syntax (0002,0010)	File SOP Class UID (0002.0002)	Photometric Interpretation (0028,0004)	Samples Per Pixel (0028,0002)	Bits allocated (0028,0100)	Rows (0028,0010)	Cols (0028,0011)
2D B&W Image	Explicit VR Little Endian (1.2.840.10008.1.2.1)	Ultrasound Image Storage (1.2.840.10008.5.1.4.1.1.6.1)	MONOCHROME2	1	8	564 (520 without borders)	800 (688 without borders)
2D color Image	Explicit VR Little Endian (1.2.840.10008.1.2.1)	Ultrasound Image Storage (1.2.840.10008.5.1.4.1.1.6.1)	MONOCHROME2	1	8	564 (520 without borders)	800 (688 without borders)
2D B&W loop	Explicit VR Little Endian (1.2.840.10008.1.2.1)	Ultrasound Multi-frame Image Storage (1.2.840.10008.5.1.4.1.1.3.1)	MONOCHROME2	1	8	564 (520 without borders)	800 (688 without borders)
2D color loop	Explicit VR Little Endian (1.2.840.10008.1.2.1)	Ultrasound Multi-frame Image Storage (1.2.840.10008.5.1.4.1.1.3.1)	MONOCHROME2	1	8	564 (520 without borders)	800 (688 without borders)
Stress B&W 'quad' loop	Explicit VR Little Endian (1.2.840.10008.1.2.1)	Ultrasound Multi-frame Image Storage (1.2.840.10008.5.1.4.1.1.3.1)	MONOCHROME2	1	8	245	320

Stress color 'quad' loop	Explicit VR Little Endian (1.2.840.10008.1.2.1)	Ultrasound Multi-frame Image Storage (1.2.840.10008.5.1.4.1.1.3.1)	MONOCHROME2	1	8	245	320
Report	Explicit VR Little Endian (1.2.840.10008.1.2.1)	Ultrasound Image Storage (1.2.840.10008.5.1.4.1.1.6.1)	MONOCHROME2	1	8	564	800
3D single frame	Explicit VR Little Endian (1.2.840.10008.1.2.1)	Ultrasound Image Storage (1.2.840.10008.5.1.4.1.1.6.1)	RGB	3	8	564 (520 without borders)	800 (688 without borders)
3D multi frame	Explicit VR Little Endian (1.2.840.10008.1.2.1)	Ultrasound Multi-frame Image Storage (1.2.840.10008.5.1.4.1.1.3.1)	RGB	3	8	564 (520 without borders)	800 (688 without borders)
Panview	Explicit VR Little Endian (1.2.840.10008.1.2.1)	Ultrasound Image Storage (1.2.840.10008.5.1.4.1.1.6.1)	RGB	3	8	520	680

10.YBR, JPEG Compressed

Image Type	Resultant Attribute Values						
	Transfer Syntax (0002,0010)	File SOP Class UID (0002,0002)	Photometric Interpretation (0028,0004)	Samples Per Pixel (0028, 0002)	Bits allocated (0028, 0100)	Rows (0028, 0010)	Cols (0028, 0011)
2D B&W Image ⁷	JPEG Baseline Process 1 (1.2.840.10008.1.2.4.50)	Ultrasound Image Storage (1.2.840.10008.5.1.4.1.1.6.1)	YBR_FULL_422	3	8	564 (520 without borders)	800 (688 without borders)
2D color Image	JPEG Baseline Process 1 (1.2.840.10008.1.2.4.50)	Ultrasound Image Storage (1.2.840.10008.5.1.4.1.1.6.1)	YBR_FULL_422	3	8	564 (520 without borders)	800 (688 without borders)
2D B&W loop	JPEG Baseline Process 1 (1.2.840.10008.1.2.4.50)	Ultrasound Multi-frame Image Storage (1.2.840.10008.5.1.4.1.1.3.1)	YBR_FULL_422	3	8	564 (520 without borders)	800 (688 without borders)
2D color loop	JPEG Baseline Process 1 (1.2.840.10008.1.2.4.50)	Ultrasound Multi-frame Image Storage (1.2.840.10008.5.1.4.1.1.3.1)	YBR_FULL_422	3	8	564 (520 without borders)	800 (688 without borders)
Stress B&W 'quad' loop	JPEG Baseline Process 1 (1.2.840.10008.1.2.4.50)	Ultrasound Multi-frame Image Storage (1.2.840.10008.5.1.4.1.1.3.1)	YBR_FULL_422	3	8	245	320

⁷ 2D B&W Image include "Colorized" images, which map a sample to a color instead of a gray scale value.

Stress color 'quad' loop	JPEG Baseline Process 1 (1.2.840.10008.1.2.4.50)	Ultrasound Multi-frame Image Storage (1.2.840.10008.5.1.4.1.1.3.1)	YBR_FULL_422	3	8	245	320
Report	JPEG Baseline Process 1 (1.2.840.10008.1.2.4.50)	Ultrasound Image Storage (1.2.840.10008.5.1.4.1.1.6.1)	YBR_FULL_422	3	8	564	800
3D single frame	Explicit VR Little Endian (1.2.840.10008.1.2.1)	Ultrasound Image Storage (1.2.840.10008.5.1.4.1.1.6.1)	RGB	3	8	564 (520 without borders)	800 (688 without borders)
3D multi frame	Explicit VR Little Endian (1.2.840.10008.1.2.1)	Ultrasound Multi-frame Image Storage (1.2.840.10008.5.1.4.1.1.3.1)	RGB	3	8	564 (520 without borders)	800 (688 without borders)
Panview	Explicit VR Little Endian (1.2.840.10008.1.2.1)	Ultrasound Image Storage (1.2.840.10008.5.1.4.1.1.6.1)	RGB	3	8	520	680

Tables 5: Image Attributes based upon Photometric Interpretation and Image Type

Notes:

1. The bits allocated (0028,0100) and the bits stored (0028,0101) are always the same.
2. The high bit (0028,0102) is always one less than the bits allocated.
3. The pixel representation (0028,0103) is always zero
4. Ultrasound Color Data Present (0028,0014) is always 1 (true).
5. 3D and Panview images always employ an RGB photometric interpretation irrespective of the 'image format' configured by the user.
6. 2D stills and loops may be acquired including the top and right border information or without borders. Stress 'quad' loops are 245x320 and never have top or side information borders.

2.1.2.1.2.1 SOP Specific Conformance Statement for Ultrasound Image Storage SOP Class

Context: Expansion of Headings and sub-headings

- Application Entity Specifications
 - HD11 AE Specification
 - Association Initiation by Real-World Activity
 - Storage of DICOM studies to a PACS
 - Proposed Presentation Context
 - SOP Specific Conformance Statement for Ultrasound Image Storage SOP Class

The HD11 AE uses the Ultrasound Image IOD Modules for both Ultrasound Image (1.2.840.10008.5.1.4.1.1.6.1) and Ultrasound Multi-frame Image (1.2.840.10008.5.1.4.1.1.3.1) IODs as follows in the following sub-sections:

2.1.2.1.2.1.1 Ultrasound Image & Ultrasound multi-frame image Storage Modules Used

Context: Expansion of Headings and sub-headings

- Application Entity Specifications
 - HD11 AE Specification
 - Association Initiation by Real-World Activity
 - Storage of DICOM studies to a PACS
 - Proposed Presentation Context
 - SOP Specific Conformance Statement for Ultrasound Image Storage SOP Class
 - US Image & US multi-frame image Storage Modules Used

For each SOP class, DICOM defines what modules must be supported. A module simply defines a set of DICOM tags that must be present in the DICOM file.

Per the DICOM standard (PS3.3-2004 A.1.3), modules may be mandatory, optional or conditionally mandatory:

- **Mandatory** modules shall be supported per the definitions, semantics and requirements defined in PS3.3-2004, Annex C.
- **User Option** Modules may or may not be supported. If an optional Module is supported, the Level 1 (and Level 2) Attribute Types specified in the Modules shall be supported.
- **Conditional** Modules are Mandatory Modules if specific conditions are met. If the specified conditions are not met, this Module shall not be supported; that is, no information defined in that Module shall be sent.

The following table defines the modules that are supported by HD11 for ultrasound images when they are sent to a Storage SCP (PACS), either Primary or Secondary.

Module	US Image (Still)		US Multi-frame Image (Loop)	
	DICOM Standard	Supported in HD11	DICOM Standard	Supported in HD11
Patient	Mandatory	✓	Mandatory	✓
General Study	Mandatory	✓	Mandatory	✓
Patient Study	User Option	✓	User Option	✓
General Series	Mandatory	✓	Mandatory	✓
Frame of Reference	User Option		User Option	
Synchronization	User Option		User Option	
General Equipment	Mandatory	✓	Mandatory	✓
General Image	Mandatory	✓	Mandatory	✓
Image Pixel	Mandatory	✓	Mandatory	✓
Palette Color Lookup Table	Conditional	✓	Conditional	✓
Contrast/Bolus	Conditional		Conditional	
Cine	Unused		Mandatory	✓
Multi-Frame	Unused		Mandatory	✓
Ultrasound Image	Mandatory	✓	Mandatory	✓
Overlay Plane	Unused		User Option	
Curve Identification	Mandatory	Not used since Curve & Curve Id is mutually exclusive with Image Pixel	Mandatory	Not used since Curve & Curve Id is mutually exclusive with Image Pixel
Curve	Mandatory		Mandatory	
Audio	User Option		User Option	
VOI LUT	User Option		User Option	
SOP Common	Mandatory	✓	Mandatory	✓

For each module that must be present in an ultrasound image that is going to be sent to a storage SCP, a subsequent sub-section defines the tags in that module that are supported by HD11.

Note: *Unused type "3" tags are **not** listed.*

2.1.2.1.2.1.2 Patient Module

Context: Expansion of Headings and sub-headings

- Application Entity Specifications
 - HD11 AE Specification
 - Association Initiation by Real-World Activity
 - Storage of DICOM studies to a PACS
 - Proposed Presentation Context
 - SOP Specific Conformance Statement for Ultrasound Image Storage SOP Class
 - Patient Module

The Patient Module (PS3.3-2004, Table C.7.1.1) defines attributes that provide information about the Patient who is the subject of a diagnostic Study. This module is mandatory for storage of ultrasound single-frame or multi-frame images.

*Note: If MWL is enabled, the user-generated values in the table below are provided by the modality worklist.

Attribute Name	Tag	Type	VR	Description	Generated by		Value
					Usr	Sys	
Patient's Name	0010, 0010	2	PN	Patient's full name.	✓		Entered by user from the Patient ID screen.
Patient ID	0010, 0020	2	LO	Primary hospital identification number or code for the patient.	✓	✓ ^A	Entered by user from the Patient ID screen. This maps to the MRN field of the Patient ID screen and can be up to a maximum of 18 characters. Note A: If the user does not enter a value, the system will automatically generate one.
Patient's Birth Date	0010, 0030	2	DA	Birth date of the patient.	✓		Entered by user from the Patient ID screen. If the user does not enter a value, the system includes this tag as the empty string.
Patient's Sex	0010, 0040	2	CS	Sex of the named patient. Enumerated Values: M = male F = female O = other	✓		Selected from a drop-down list, by the user, from the Patient ID screen. If the user selects 'Unknown', this attribute is the empty string.
Other Patient IDs	0010, 1000	3	LO	Other identification numbers or codes used to identify the patient.	✓		Entered by user from the Patient ID screen. This maps to the Alternate ID Number of the Patient ID screen. If the user does not enter a value, the tag is not sent.

2.1.2.1.2.1.3 General Study Module

Context: Expansion of Headings and sub-headings

- Application Entity Specifications
 - HD11 AE Specification
 - Association Initiation by Real-World Activity
 - Storage of DICOM studies to a PACS
 - Proposed Presentation Context
 - SOP Specific Conformance Statement for Ultrasound Image Storage SOP Class
 - General Study Module

The General Study Module (PS3.3-2004, Table C.7.2.1) defines Attributes that provide information about the Study that was performed. This module is mandatory for storage of ultrasound single-frame or multi-frame images.

*Note: If MWL is enabled, the user-generated values in the table below are provided by the modality worklist.

Attribute Name	Tag	Type VR		Description	Generated by		Value
					Usr	Sys	
Study Instance UID	0020, 000D	1	UI	A unique identifier for the Study.		✓	A system generated Unique Identifier of the form: 1.2.840.113543.6.6.4.2.6nnnnnnnn nnnnnnnnnnnnnnnnnnnnnnnnnnnnnn (Max 64 characters) The first part is for HD11. The right-most digits (nnnnnn) are unique based on timestamp and machine characteristics.
Study Date	0008, 0020	2	DA	Date the Study started. The format is yyyyymmdd		✓	The system computes this value as the date the study was created. Every image (with the same Study Instance UID) will have the same Study date.
Study Time	0008, 0030	2	TM	Time the Study started. The format		✓	The system computes this value as the time the study was created. Every image (with the same Study

Attribute Name	Tag	Type VR		Description	Generated by		Value
					Usr	Sys	
				is hmmmss			Instance UID) will have the same Study time.
Referring Physician Name	0008, 0090	2	PN	Physician(s) who are responsible for overall patient care at time of Study	✓		<p>Entered by user from the Patient ID screen. If the user does not enter a value, the system includes this tag as the empty string.</p> <p>The characters entered map to the 'Last Name' component of the Person Name.</p> <p>Note: If MWL is defined, only the last and first name components of the name are used.</p>
Study ID	0020, 0010	2	SH	User or equipment generated Study identifier.		✓	A system generated Study identifier that is unique only within the HD11 system that generated the study. The Study Identifier starts at 1 and is incremented by one for each new study created on that system. Study Identifiers will not be unique across multiple HD11 systems.
Accession Number	0008, 0050	2	SH	A RIS generated number, which identifies the order for the Study.	✓		Entered by user from the Patient ID screen. If the user enters a value for this field, then it must be unique. If the user does not enter a value, the system includes this tag as the empty string.
Study Description	0008, 1030	3	LO	Institution-generated description or classification of the Study (component) performed.	✓		<p>Configurable by the user through setup. Can either be a fixed list or (for users with a MWL server), can be obtained from the MWL Server.</p> <p>The string used will be the first non-empty string from the following list:</p> <ul style="list-style-type: none"> ○ Requested Procedure

Attribute Name	Tag	Type VR		Description	Generated by		Value
					Usr	Sys	
							description tag (0032,1060), ○ Scheduled Procedure Step description tag (0040,0007) ○ Scheduled Procedure Step, "Code Meaning" tag (0008,0104) ○ Reason for the requested procedure tag (0040,1002) ○ Reason for imaging service request tag (0040,2001)

2.1.2.1.2.1.4 Patient Study Module

Context: Expansion of Headings and sub-headings

- Application Entity Specifications
 - HD11 AE Specification
 - Association Initiation by Real-World Activity
 - Storage of DICOM studies to a PACS
 - Proposed Presentation Context
 - SOP Specific Conformance Statement for Ultrasound Image Storage SOP Class
 - Patient Study Module

The Patient Study Module (PS3.3-2004, Table C.7.2.2) defines Attributes that provide information about the Patient at the time the Study was performed. This module is optional for storage of ultrasound single-frame or multi-frame images.

*Note: If MWL is enabled, the user-generated values in the table below are provided by the modality worklist.

Attribute Name	Tag	Type VR		Description	Generated by		Value
					Usr	Sys	
Patient's Size	0010, 1020	3	DS	Length or size of the Patient, in meters.	✓		Entered by user from the Patient ID screen. If the user does not enter a value, this tag is not sent.
Patient's Weight	0010, 1030	3	DS	Weight of the Patient, in kilograms.	✓		Entered by user from the Patient ID screen. If the user does not enter a value, this tag is not sent.
Additional Patient's History	0010, 21B0	3	LT	Additional information about the Patient's medical history.	✓		Entered by user from the Patient ID screen. If the user does not enter a value, this tag is not sent.

Attribute Name	Tag	Type	VR	Description	Generated by		Value
					Usr	Sys	
							SeriesInstUID would be generated and all newly acquired images would be part of the new series. Also the MPPS messages (if applicable) that would be sent when the study is restarted would contain the newly generated Series Instance UID.
Series Number	0020,0011	2	IS	Number of the series		✓	HD11 studies have exactly one series and the series number is always "1"
Performing Physician's Name	0008,1050	3	PN	Name of the physicians administering the Series.	✓		Entered by user from the Patient ID screen. This maps to the 'Performed by' field of the Patient ID screen. If the user does not enter a value, this tag is not sent. The intent is for the user to enter the performing physicians initials and the system limits the user to entering a maximum of five characters. The characters entered map to the 'Last Name' component of the Person Name.
Series Description	0008,103E	3	LO	User provided description of the Series.	✓		Entered by user from the Patient ID screen. This maps to the 'Indication' field of the Patient ID screen. If the user does not enter a value, this tag is not sent.
Operator's Name	0008,1070	3	PN	Name of the operator (or technician) using the system.		✓	Entered by the system as the same text as 'Performing Physician's Name', (tag 0008,1050).
Patient Position	0018,5100	2C	CS	Required for CT and MR images. See C.7.3.1.1.2 of the DICOM standard for Defined Terms and further explanation.	N/A	N/A	Not used as not required for Ultrasound (US).
Request Attributes	0040,0275	3	SQ	Sequence that contains attributes		✓	This sequence will be present only for scheduled study. In case of

Attribute Name	Tag	Type	VR	Description	Generated by		Value
					Usr	Sys	
Sequence				from the Imaging Service Request. The sequence may have one or more Items.			unscheduled study, this sequence will not be present. This sequence will be not be present if attributes 'Requested Procedure ID' and/or 'Scheduled Procedure Step ID' is/are missing.
>Requested Procedure ID	0040, 1001	I	SH	Identifier that identifies the Requested Procedure in the Imaging Service Request.	✓		Set with the value got from MWL.
>Requested Procedure Description	0032, 1060	3	LO	Institution-generated administrative description or classification of Requested Procedure	✓		Set with the value entered or selected in "Study Description" field of Patient ID screen. If the study is started from MWL, the "Study Description" field of Patient ID screen is populated from 'Requested Procedure Description' attribute of MWL. (1st choice, configurable)
>Scheduled Procedure Step ID	0040, 0009	I	SH	Identifier that identifies the Scheduled Procedure Step.	✓		Set with the value got from MWL.
>Scheduled Procedure Step Description	0040, 0007	3	LO	Institution-generated description or classification of the Scheduled Procedure Step to be performed.	✓		Set with the value got from MWL.
Scheduled Protocol Code Sequence	0040, 0008	3	SQ	Sequence describing the Scheduled Protocol following a specific coding scheme. This sequence contains	✓		Set with the value got from MWL.

Attribute Name	Tag	Type	VR	Description	Generated by		Value
					Usr	Sys	
				one or more Items.			
>> Code Value	0008, 0100	1C	SH				Set with the value got from MWL.
>> Coding Scheme Designator	0008, 0102	2C	SH				Set with the value got from MWL else it will be NULL.
>> Coding Scheme Version	0008, 0103	2C	SH				Set with the value got from MWL else it will be NULL.
>> Code Meaning	0008, 0104	2C	LO				Set with the value got from MWL else it will be NULL.
Performed Procedure Step ID	0040, 0253	3	SH	Equipment generated identifier of that part of a Procedure that has been carried out within this step.		✓	Set as current date and time in the format yyyyymmdd.hhmmss.
Performed Procedure Step Start Date	0040, 0244	3	DA	Date on which the Performed Procedure Step started.		✓	Set as date on which the Performed Procedure Step is started.
Performed Procedure Step Start Time	0040, 0245	3	TM	Time on which the Performed Procedure Step started.		✓	Set as time on which the Performed Procedure Step is started.
Performed Procedure Step Description	0040, 0254	3	LO	Institution-generated description or classification of the Procedure Step that was performed.	✓		Set with the value entered or selected in 'Study Description' field of Patient ID screen. If the study is started from MWL, the "Study Description" field of Patient ID screen is populated from 'Requested Procedure Description' attribute of MWL. (1st choice, configurable).
Referenced Performed Procedure	0008, 1111	3	SQ	Uniquely identifies the Performed Procedure Step SOP		✓	If MPPS is configured, this sequence will refer to Performed procedure step.

Attribute Name	Tag	Type	VR	Description	Generated by		Value
					Usr	Sys	
Step Sequence				Instance to which the Series is related (e.g. a Modality or General-Purpose Performed Procedure Step SOP Instance). The Sequence shall have zero or one Item.			
>Referenced SOP Class UID	0008, 1150	IC	UI	Uniquely identifies the referenced SOP Class. Required if Referenced Performed Procedure Step Sequence (0008,1111) is sent.			Set as value of 'Modality Performed Procedure Step SOP Class UID' ('1.2.840.10008.3.1.2.3.3'). This is set if Referenced Performed Procedure Step Sequence (0008,1111) is sent.
>Referenced SOP Instance UID	0008, 1155	IC	UI	Uniquely identifies the referenced SOP Instance. Required if Referenced Performed Procedure Step Sequence (0008,1111) is sent.		✓	Uniquely identifies the referenced MPPS SOP Instance. This is set if Referenced Performed Procedure Step Sequence (0008,1111) is sent.

General Equipment Module

Context: Expansion of Headings and sub-headings

- Application Entity Specifications
 - HD11 AE Specification
 - Association Initiation by Real-World Activity
 - Storage of DICOM studies to a PACS
 - Proposed Presentation Context
 - SOP Specific Conformance Statement for Ultrasound Image Storage SOP Class
 - General Equipment Module

The General Equipment Module (PS3.3-2004, Sec C.7.5.1, Table C.7-8) defines attributes that identify and describe the piece of equipment that produced a Series of Images. This module is mandatory for storage of ultrasound single-frame or multi-frame images.

Attribute Name	Tag	Type	VR	Description	Generated by		Value
					Usr	Sys	
Manufacturer	0008, 0070	2	LO	Manufacturer of the equipment that produced the digital images.		✓	<p>“Philips Medical Systems”</p> <p>Note: This is always in English irrespective of the locale since some tools (e.g. Philips QLAB) key behavior of the Manufacturer tag and look for the precise text shown above.</p>
Institution Name	0008, 0080	3	LO	Institution where the equipment that produced the composite instances is located.	✓		<p>Entered by the user from the ‘System’ tab in the ‘Setup’ screen (‘Top Border’ button).</p> <p>Note: If the user imports an EnVisor or HD11 study that was generated at another institution and opens the study the institution name displayed along the top border of the system screen is the institution viewing the images not the institution where the image was acquired. The institution name where the image was acquired can however be burned into the image. Also, if the user exports the study to removable media or to a networked PACS and changes the format of the image data in some way either by exporting it in a different image format from the internal format (Palette Color, RLE) or by applying a display compensation curve, then the institution name is changed to the current institution.</p>

2.1.2.1.2.1.6 General Image Module

Context: Expansion of Headings and sub-headings

- Application Entity Specifications
 - HD11 AE Specification
 - Association Initiation by Real-World Activity
 - Storage of DICOM studies to a PACS
 - Proposed Presentation Context
 - SOP Specific Conformance Statement for Ultrasound Image Storage SOP Class
 - General Image Module

The General Image Module (PS3.3-2004, Sec C.7.6.1, Table C.7-9) defines Attributes that describe an image within a particular series. This module is optional for storage of ultrasound single-frame or multi-frame images.

All attributes are system generated.

Attribute Name	Tag	Type	VR	Description	Value
Instance Number	0020, 0013	2	IS	A number that identifies this image. Note: This Attribute was named Image Number in earlier versions of this Standard.	The system computes this value as a unique number for each image in a study. For the first image in a new study the Instance Number is 1. The second image is numbered 2 and the Instance Number continues to be incremented by for each acquired image. Gaps may be present if images were deleted before DICOM store was requested.
Patient Orientation	0020, 0020	2 C	CS	Patient direction of the rows and columns of the image.	The system sends the empty tag for 2D images, not used in PanView images.
Content Date	0008, 0023	2 C	DA	The date the image pixel data creation started. Required if image is part of a series in which the images are	The system computes this value as the date that image was acquired. . The format is yyyyymmdd.

Attribute Name	Tag	Type	VR	Description	Value
				temporally related. <i>Note: This Attribute was formerly known as Image Date.</i>	
Content Time	0008, 0033	2 C	TM	The time the image pixel data creation started. Required if image is part of a series in which the images are temporally related. <i>Note: This Attribute was formerly known as Image Time.</i>	The system computes this value as the time that image was acquired. The format is hhmmss
Image Type	0008, 0008	3	CS	Image identification characteristics.	The system computes this value as the four component multi-value attribute: “<Pixel Data Characteristics> / <Patient Examination Characteristics> / <Modality Specific Characteristics> / <Implementation Specific Identifiers>” <Pixel Data Characteristics> <u>Palette Color & RGB:</u> “ORIGINAL” denotes original source-data <u>YBR:</u> “DERIVED” denotes pixels that have been derived from the original – in this case by lossy compression. <u>MONOCHROME2:</u> “DERIVED” denotes pixels

Attribute Name	Tag	Type	VR	Description	Value
					<p>that have been derived from the original – in this case by grayscale transformations.</p> <p><Patient Examination Characteristics> Always “PRIMARY”</p> <p><Modality Specific Characteristics> This is based on the user-selected entry in the drop down list ‘Additional Data Type’ on the Patient Id screen. It is mapped to the most appropriate value from the DICOM standard (Ex: “ABDOMINAL”).</p> <p><Implementation Specific Identifiers>” Always blank.</p> <p>Note: The third and fourth fields are not present in PanView images.</p>
Acquisition Date	0008,0022	3	DA	The date the acquisition of data that resulted in this image started	The system uses the same value as the Content Date, tag 0008,0023.
Acquisition Time	0008,0032	3	TM	The time the acquisition of data that resulted in this image started	The system uses the same value as the Content time, tag 0008,0033.
Acquisition Datetime	0008,002A	3	DT	The date and time that the acquisition of data that resulted in this image started.	The system generates this as a combination of Acquisition Date and Acquisition Time. The format is yyyymmddhhmmss.ffffff

Attribute Name	Tag	Type	VR	Description	Value
Image Comments	0020, 4000	3	LT	User-defined comments about the image.	Images (2D,3D etc): Not Used Reports: "Report Version x Page x of x"
Lossy Image Compression	0028, 2110	3	CS	Specifies whether an Image has undergone lossy image compression. Enumerated Values: 00 = Image has NOT been subjected to lossy image compression. 01 = Image has been subjected to lossy image compression.	00 - for uncompressed images or RLE compressed images. 01 – for JPEG compressed images. Notes: Not sent for Panview images.

2.1.2.1.2.1.7 Image Plane Module

Context: Expansion of Headings and sub-headings

- Application Entity Specifications
 - HD11 AE Specification
 - Association Initiation by Real-World Activity
 - Storage of DICOM studies to a PACS
 - Proposed Presentation Context
 - SOP Specific Conformance Statement for Ultrasound Image Storage SOP Class
 - Image Plane Module

The Image Plane Module (PS3.3-2004, Sec C.7.6.2, Table C.7-10) defines attributes that describe the pixel array of a two dimensional image plane. This module is optional for storage of ultrasound single-frame or multi-frame images.

Attribute Name	Tag	Type		Description	Value
Pixel Spacing	0028, 0030	I	DS	Physical distance in the patient between the center of each pixel, specified by a numeric pair – adjacent row spacing (delimiter) adjacent column spacing in mm	If specified by the user in DICOM Setup, Media Export Setup, or for an individual study export AND the image contains only one 2D calibration region and no Doppler or M-Mode calibration regions, then this tag is written to the DICOM file.

2.1.2.1.2.1.8 Image Pixel Module

Context: Expansion of Headings and sub-headings

- Application Entity Specifications
 - HD11 AE Specification
 - Association Initiation by Real-World Activity
 - Storage of DICOM studies to a PACS
 - Proposed Presentation Context
 - SOP Specific Conformance Statement for Ultrasound Image Storage SOP Class
 - Image Pixel Module

The Image Pixel Module (PS3.3-2004, Sec C.7.6.3, Table C.7-11a) defines Attributes that describe the pixel data of an image. This module is mandatory for storage of ultrasound single-frame or multi-frame images.

Attribute Name	Tag	Type	VR	Description	Value
Samples per Pixel	0028, 0002	I	US	Number of samples (planes) in this image.	Based on the 'Image Format' that is set by the user in DICOM Setup. Palette Color Mode: 2D B/W and Color stills/loops: 1 3D & Panview: 3 Reports: 1 RGB Mode: 2D B/W and Color stills/loops: 3 3D & Panview: 3 Reports: 3 YBR Mode: 2D B/W and Color stills/loops: 3 3D & Panview: 3 Reports: 3 MONOCHROME2 Mode: Always: 1

Attribute Name	Tag	Type	VR	Description	Value
Photometric Interpretation	0028, 0004	I	CS	Specifies the intended interpretation of the pixel data.	2D Images & Reports: Based on the 'Image Format' that is set by the user in DICOM Setup. Can be either: PALETTE COLOR, RGB, or YBR_FULL_422 or MONOCHROME2 3D & Panview Images: Always RGB
Rows	0028, 0010	I	US	Number of rows in the image.	2D B/W & Color stills/loops, 3D stills/loops acquired with top & right border: 564 2D B/W & Color stills/loops, 3D stills/loops acquired <u>without borders</u> : 520 2D B/W & Color quad-sized loops from stress: 245 Reports: 564 PanView: 520
Columns	0028, 0011	I	US	Number of columns in the image	2D B/W & Color stills/loops, 3D stills/loops acquired with top & right border: 800 2D B/W & Color stills/loops, 3D stills/loops acquired <u>without borders</u> : 688 2D B/W & Color quad-sized loops from stress: 320 Reports: 800 PanView: 680
Bits Allocated	0028, 0100	I	US	Number of bits allocated for each pixel sample.	Based on the 'Image Format' that is set by the user in DICOM Setup. Palette Color Mode: 2D B&W, 3D & PanView: 8 bits 2D Color & Reports: 16 bits

Attribute Name	Tag	Type	VR	Description	Value
					RGB Mode: 2D B&W, 3D & PanView: 8 bits 2D Color & Reports: 8 bits YBR Mode: 2D B&W, 3D & PanView: 8 bits 2D Color & Reports: 8 bits MONOCHROME2 Mode: 8 bits
Bits Stored	0028, 0101	I	US	Number of bits stored for each pixel sample.	Based on the 'Image Format' that is set by the user in DICOM Setup. The number of Bits Stored and Bits Allocated are always the same. Palette Color Mode: 2D B&W, 3D & PanView: 8 bits 2D Color & Reports: 16 bits RGB Mode: 2D B&W, 3D & PanView: 8 bits 2D Color & Reports: 8 bits YBR Mode: 2D B&W, 3D & PanView: 8 bits 2D Color & Reports: 8 bits MONOCHROME2 Mode: 8 bits
High Bit	0028, 0102	I	US	Most significant bit for pixel sample data.	Based on the 'Image Format' that is set by the user in DICOM Setup. The High Bit is always one less than the Bits Allocated. Palette Color Mode: 2D B&W, 3D & PanView: 7 bits 2D Color & Reports: 15 bits

Attribute Name	Tag	Type	VR	Description	Value
					RGB Mode: 2D B&W, 3D & PanView: 7 bits 2D Color & Reports: 7 bits YBR Mode: 2D B&W, 3D & PanView: 7 bits 2D Color & Reports: 7 bits MONOCHROME2 Mode: 7 bits
Pixel Representation	0028, 0103	I	US	Data representation of the pixel samples. Each sample shall have the same pixel representation. Enumerated Values: 0000H = unsigned integer. 0001H = 2's complement	000H (Unsigned integers)
Pixel Data	7FE0, 0010	I	OB	A data stream of the pixel samples which comprise the Image.	The pixel data of the DICOM image.
Planar Configuration	0028, 0006	IC	US	Indicates whether the pixel data are sent color-by-plane or color-by-pixel. Required if Samples per Pixel (0028,0002) has a value greater than 1.	Palette Color Images: Not present RGB Images: Always zero (color-by-pixel) YBR: Images: Always zero (color-by-pixel) MONOCHROME2 Images: Not present Note: 3D and Panview images are always RGB, therefore this tag will always be zero for 3D and Panview images even if the user defines the image export format to be Palette Color.
Pixel Aspect	0028,	IC	IS	Ratio of the	Always 1/1.

Attribute Name	Tag	Type VR		Description	Value
Ratio	0034			vertical size and horizontal size of the pixels in the image specified by a pair of integer values where the first value is the vertical pixel size, and the second value is the horizontal pixel size.	
Red Palette Color Lookup Table Descriptor	0028, 1101	IC	US	Specifies the format of the Red Palette Color Lookup Table Data	See 'Palette Color Lookup Table Module', section 2.1.2.1.2.1.9.
Green Palette Color Lookup Table Descriptor	0028, 1102	IC	US	Specifies the format of the Green Palette Color Lookup Table Data	See 'Palette Color Lookup Table Module', section 2.1.2.1.2.1.9.
Blue Palette Color Lookup Table Descriptor	0028, 1103	IC	US	Specifies the format of the Blue Palette Color Lookup Table Data	See 'Palette Color Lookup Table Module', section 2.1.2.1.2.1.9..
Red Palette Color Lookup Table Data	0028, 1201	IC	OW	Red Palette Color Lookup Table Data.	See 'Palette Color Lookup Table Module', section 2.1.2.1.2.1.9.
Green Palette Color Lookup Table Data	0028, 1202	IC	OW	Green Palette Color Lookup Table Data.	See 'Palette Color Lookup Table Module', section 2.1.2.1.2.1.9.
Blue Palette Color Lookup Table Data	0028, 1203	IC	OW	Blue Palette Color Lookup Table Data.	See 'Palette Color Lookup Table Module', section 2.1.2.1.2.1.9.

2.1.2.1.2.1.9 Palette Color Lookup Table Module

Context: Expansion of Headings and sub-headings

- Application Entity Specifications
 - HD11 AE Specification
 - Association Initiation by Real-World Activity
 - Storage of DICOM studies to a PACS
 - Proposed Presentation Context
 - SOP Specific Conformance Statement for Ultrasound Image Storage SOP Class
 - Palette Color Lookup Table Module

The Palette Color Lookup Module (PS3.3-2004, Sec C.7.9, Table C.7-22) defines Attributes that describe the Lookup table data for images with Palette Color photometric interpretation. This module is present for HD11 2D B/W and Color stills/loops but is not present in (RGB) files created by HD11's 3D/Panview application.

All attributes are system generated.

Attribute Name	Tag	Type	VR	Description	Value
Red Palette Color Lookup Table Descriptor	0028, 1101	IC	US	Specifies the format of the Red Palette Color Lookup Table Data	Used only for 2D and REPORT acquired as image. B&W stills & loops: 256, 0, 16 Color stills & loops: 0, 0, 16 REPORT(acquired as image): xx, 0, 16 where 'xx' is a variable value. <i>This tag and other tags related to Palette Color are not present in 3D/PanView since these files are RGB.</i>
Green Palette Color Lookup Table Descriptor	0028, 1102	IC	US	Specifies the format of the Green Palette Color Lookup Table Data	Used only for 2D and REPORT acquired as image. B&W stills & loops: 256, 0, 16 Color stills & loops: 0, 0, 16 REPORT(acquired as image): xx, 0, 16 where 'xx' is a variable value.
Blue Palette Color Lookup Table Descriptor	0028, 1103	IC	US	Specifies the format of the Blue Palette Color Lookup Table Data	Used only for 2D and REPORT acquired as image. B&W stills & loops: 256, 0, 16

Attribute Name	Tag	Type	VR	Description	Value
					Color stills & loops: 0, 0, 16 REPORT(acquired as image): xx, 0, 16 where 'xx' is a variable value.
Red Palette Color Lookup Table Data	0028, 1201	IC	OW	Red Palette Color Lookup Table Data.	Used only for 2D and REPORT acquired as image.
Green Palette Color Lookup Table Data	0028, 1202	IC	OW	Green Palette Color Lookup Table Data.	Used only for 2D and REPORT acquired as image.
Blue Palette Color Lookup Table Data	0028, 1203	IC	OW	Blue Palette Color Lookup Table Data.	Used only for 2D and REPORT acquired as image.
Segmented Red Palette Color Lookup Table Data	0028, 1221	IC	OW	Segmented Red Palette Color Lookup Table Data.	Not used
Segmented Green Palette Color Lookup Table Data	0028, 1222	IC	OW	Segmented Green Palette Color Lookup Table Data.	Not used
Segmented Blue Palette Color Lookup Table Data	0028, 1223	IC	OW	Segmented Blue Palette Color Lookup Table Data.	Not used

2.1.2.1.2.1.10 Cine Module

Context: Expansion of Headings and sub-headings

- Application Entity Specifications
 - HD11 AE Specification
 - Association Initiation by Real-World Activity
 - Storage of DICOM studies to a PACS
 - Proposed Presentation Context
 - SOP Specific Conformance Statement for Ultrasound Image Storage SOP Class
 - Cine Module

The Cine Module (PS3.3-2004, Sec C.7.6.5, Table C.7-13) defines Attributes of a Multi-frame Cine image. This module is mandatory for Multi-frame images but is not used for Single-frame images.

All attributes are system generated.

Attribute Name	Tag	Type		Value
			VR	
Recommended Display Frame Rate	0008, 2144	3	IS	Used for Multiframe
Cine Rate	0018, 0040	3	IS	Used for Multiframe
Effective Series Duration	0018, 0072	3	DS	Used for Multiframe
Frame Time Vector	0018, 1065	IC	DS	An array that contains the real time increments (in msec) between frames for a Multi-frame image. Present if Frame Increment Pointer (0028,0009) points to Frame Time Vector.
Frame Time	0018, 1063	IC	DS	Nominal time (in msec) per individual frame. Present if Frame Increment Pointer (0028,0009) points to Frame Time. Note: If you export a study to removable media using Average Frame Time, on import back into the system only the images up to but not including the loop will be imported. However the study on media is fine and can be imported onto a PACS without any problems.

2.1.2.1.2.1.11 Multi-Frame Module

Context: Expansion of Headings and sub-headings

- Application Entity Specifications
 - HD11 AE Specification
 - Association Initiation by Real-World Activity
 - Storage of DICOM studies to a PACS
 - Proposed Presentation Context
 - SOP Specific Conformance Statement for Ultrasound Image Storage SOP Class
 - Multi-Frame Module

The Multi-Frame Module (PS3.3-2004, Sec C.7.6.6, Table C.7-14) defines Attributes of a Multi-frame pixel data image. This module is mandatory for Multi-frame images but is not used for Single-frame images. All attributes are system generated.

Attribute Name	Tag	Type	VR	Value
Number of Frames	0028,0008	I	IS	Used
Frame Increment Pointer	0028,0009	I	AT	<p>Configurable by the user in DICOM Setup.</p> <p>If the user selects a loop timing preference where each frame in a loop has the same duration then Frame Increment Pointer takes the value 0018,1063 (Frame Time).</p> <p>If the user selects a loop timing preference where each frame in a loop has the different duration then Frame Increment Pointer takes the value 0018,1065 (Frame Time Vector).</p> <p>Note: 3D/4D swivel loops or Fetal STIC will always have a Frame Increment Pointer that takes the value 0018,1065 (Frame Time Vector) regardless of the user configured preference.</p>

2.1.2.1.2.1.12 US Region Calibration Module

Context: Expansion of Headings and sub-headings

- Application Entity Specifications
 - HD11 AE Specification
 - Association Initiation by Real-World Activity
 - Storage of DICOM studies to a PACS
 - Proposed Presentation Context
 - SOP Specific Conformance Statement for Ultrasound Image Storage SOP Class
 - US Region Calibration Module

The US Region Calibration Module (PS3.3-2004, Sec C.8.5.5, Table C.8-17) defines Attributes that describe an ultrasound region calibration. This module is optional for ultrasound.

All attributes are system generated.

Attribute Name	Tag	Type	VR	Value
Sequence of Ultrasound Regions	0018, 6011	I	SQ	Used
Region Spatial Format	0018, 6012	I	US	Used
Region Data Type	0018, 6014	I	US	Used
Region Flags	0018, 6016	I	UL	Used
Region Location Min X0	0018, 6018	I	UL	Used
Region Location Min Y0	0018, 601A	I	UL	Used
Region Location Max X1	0018, 601C	I	UL	Used
Region Location Max Y1	0018, 601E	I	UL	Used
Reference Pixel X0	0018,	I	SL	Used

Attribute Name	Tag	Type	VR	Value
	6020			
Reference Pixel Y0	0018, 6022	I	SL	Used
Physical Units X Direction	0018, 6024	I	US	Used
Physical Units Y Direction	0018, 6026	I	US	Used
Ref Pixel Physical Value X	0018, 6028	I	FD	Used
Ref Pixel Physical Value Y	0018, 602A	I	FD	Used
Physical Delta X	0018, 602C	I	FD	Used
Physical Delta Y	0018, 602E	I	FD	Used

The values for the attribute: Region Spatial Format and Region Data Type are mapped as given below in the table:

Mode	Region Spatial Format (Tag: 0018,6012)	Region Data Type (Tag: 0018,6014)
2D	1	0x01 (i.e. Tissue)
M-Mode	2	0x00 (i.e. None or not applicable)
Doppler or Spectral	3	0x00 (i.e. None or not applicable)
Physio	4	0x0A (i.e. ECG Trace)

2.1.2.1.2.1.13 US Image Module

Context: Expansion of Headings and sub-headings

- Application Entity Specifications
 - HD11 AE Specification
 - Association Initiation by Real-World Activity
 - Storage of DICOM studies to a PACS
 - Proposed Presentation Context
 - SOP Specific Conformance Statement for Ultrasound Image Storage SOP Class
 - US Image Module

The US Image Module (PS3.3-2004, Sec C.8.5.6, Table C.8-18) defines attributes that describe ultrasound images. This module is mandatory for storage of ultrasound single-frame or multi-frame images.

Attribute Name	Tag	Type		Value
			VR	
Samples per Pixel	0028,0002	I	US	See 'Image Pixel Module' section 2.1.2.1.2.1.8.
Photometric Interpretation	0028,0004	I	CS	See 'Image Pixel Module' section 2.1.2.1.2.1.8.
Bits Allocated	0028,0100	I	US	See 'Image Pixel Module' section 2.1.2.1.2.1.8.
Bits Stored	0028,0101	I	US	See 'Image Pixel Module' section 2.1.2.1.2.1.8.
High Bit	0028,0102	I	US	See 'Image Pixel Module' section 2.1.2.1.2.1.8.
Planar Configuration	0028,0006	IC	US	See 'Image Pixel Module' section 2.1.2.1.2.1.8.
Pixel Representation	0028,0103	I	US	Always zero
Frame Increment Pointer	0028,0009	IC	AT	See 'Multi-Frame Module' section 2.1.2.1.2.1.12
Image Type	0008,0008	2	CS	See 'General Image Module' 2.1.2.1.2.1.6.
Lossy Image	0028,	IC	CS	See 'General Image Module' 2.1.2.1.2.1.6.

Attribute Name	Tag	Type		Value
			VR	
Compression	2110			
Ultrasound Color Data Present	0028, 0014	3	US	“0” when image format is MONOCHROME2, “1” for all other image formats.
Number of Stages	0008, 2124	2C	IS	Number of stages in a protocol. <i>For stress Multiframe images only, or else this tag is not used.</i>
Number of Views in Stage	0008, 212A	2C	IS	Number of views in a stage. <i>For stress Multiframe images only</i>
Stage Name	0008, 2120	3	SH	Used in protocols <i>For stress Multiframe images only</i>
Stage Number	0008, 2122	3	IS	Which stage in a protocol. <i>For stress Multiframe images only</i>
View Name	0008, 2127	3	SH	The name of the view. <i>For stress Multiframe images only</i>
View Number	0008, 2128	3	IS	Number of event timers used during acquisition <i>For stress Multiframe images only.</i> 1, 2, or 3 Null if timers not used
Number of Event Timers	0008, 2129	3	IS	If the stage requires a timer, the number of event timers used at the time of acquisition of a Multi-frame image.
Event Elapsed Time(s)	0008, 2130	3	DS	If the stage requires a timer, an array of values associated with each event timer. Units in milliseconds.
Event Timer Name(s)	0008, 2132	3	LO	If the stage requires a timer, the name that identifies the event timer.
Acquisition Datetime	0008, 002A	1C	DT	See ‘General Image Module’ 2.1.2.1.2.1.6
Heart Rate	0018, 1088	3	IS	Beats per minute. <i>For stress Multiframe images only</i>
Transducer Data	0018,5 010	3	CS	Name of the transducer that was in use when the image was acquired. Since the DICOM standard specifies a VM of 3, the last two fields are written as “UNUSED”.
Transducer Type	0018, 6031	3	LO	SECTOR_PHASED, LINEAR, CURVED LINEAR <i>Only used for 2D or 3D images; not used for doppler-only images (i.e. pencil probes)</i>
Processing Function	0018,	3	LO	Identifier that uniquely describes the preset that was active

Attribute Name	Tag	Type	Value
	5020	VR	when the image was acquired.

				<p>that this system uses.</p> <p>The most likely scenario that would require a non Basic Character set would be when the system has been set to a locale that uses non Basic characters (e.g. Russia or Japan) AND the user has entered one of these characters into the Patient Identification screen,</p>
--	--	--	--	---

2.1.2.2 Issuing of Storage Commitment requests to an image manager

Context: Expansion of Headings and sub-headings

- Application Entity Specifications
 - HDII AE Specification
 - Association Initiation by Real-World Activity
 - Issuing of Storage Commitment requests to an image manager

HDII provides Standard Conformance to the following DICOM V3.0 **Storage Commitment** SOP Class as an SCU.

SOP Class Name	SOP Class UID	Role
Storage Commitment Push Model	1.2.840.10008.1.20.1.1	SCU

Table 6: SOP Class Supported by Storage Commitment service

HDII sends images to the storage server for permanent storage. The request for Storage Commitment may then be transmitted from HDII together with a list of references to one or more SOP instances. This action is invoked through the DIMSE N-ACTION primitive.

2.1.2.2.1 Associated Real-World Activity

Context: Expansion of Headings and sub-headings

- Application Entity Specifications
 - HD11 AE Specification
 - Association Initiation by Real-World Activity
 - Issuing of Storage Commitment requests to an image manager
 - Associated Real-World Activity

Storage Commitment is initiated when a study is saved by the user, or, in Send As You Go mode, after each image acquisition. The storage SCP and commit SCP can be different AE's.

Storage Commitment Association Behavior (By Save Study or Send As You Go)

User Action	DICOM Activity – Storage Commitment Device Association	Association Status
Save Study (Or Image acquisition in Send As You Go)	Each Save Study operation will initiate an association with the SC server, and send an N-Action Request, containing a list of all images that need to be committed. The Association is then released after receiving the N-ACTION-RSP from the SC Server. In Send As You Go mode, each image acquisition initiates the same DICOM activity as Save Study.	Association closed.
Reverse Role Negotiation	The system will remain available as long as it is connected to the network to receive Storage Commitment responses from the SC server. The SCP will send an N-Event Report with status. Then the association is released.	Association closed.

2.1.2.2.2 Proposed Presentation Contexts

Context: Expansion of Headings and sub-headings

- Application Entity Specifications
 - HDII AE Specification
 - Association Initiation by Real-World Activity
 - Issuing of Storage Commitment requests to an image manager
 - Proposed Presentation Contexts

Abstract Syntax		Transfer Syntax		Role	Extended Negotiation
Name	UID	Name List	UID List		
Storage Commitment Push Model	1.2.840.10008.1.20.1	Explicit VR Little Endian (Preferred, see Note)	1.2.840.10008.1.2.1	SCU	None
		Implicit VR Little Endian	1.2.840.10008.1.2		

Table 7: Storage Commitment - Presentation Context

Note: If the Storage Commitment server accepts both Explicit VR Little Endian and Implicit VR Little Endian then HDII will use Explicit VR Little Endian as a transfer syntax.

In addition to the presentation contexts mentioned in the above table, HDII will propose the presentation contexts associated with storage SOP classes. However, the actual association will always use the presentation context as mentioned in the table below.

2.1.2.2.2.1 SOP Specific Conformance Statement for Storage Commitment SOP Class

Context: Expansion of Headings and sub-headings

- Application Entity Specifications
 - HD11 AE Specification
 - Association Initiation by Real-World Activity
 - Issuing of Storage Commitment requests to an image manager
 - Proposed Presentation Contexts
 - SOP Specific Conformance Statement for Storage Commitment SOP Class

HD11 provides standard conformance to the DICOM Storage Commitment Service Class.

HD11 supports the following elements for this SOP class as an SCU. The Transaction UID Attribute (0008,1195) value generated by HD11 uniquely identifies each Storage Commitment Request.

Action Type Name	Action Type ID	Attribute Name	Tag
Request Storage Commitment	I	Transaction UID	(0008,1195)
		Referenced SOP Sequence	(0008,1199)
		>Referenced SOP Class UID	(0008,1150)
		>Referenced SOP Instance UID	(0008,1155)

Table 8: Storage Commitment Request – Attributes

Subsequently, HD11 expects N-EVENT-REPORT's from the storage commit server although HD11 does not assume that the event will arrive at any particular time. HD11 does not wait but will process the event whenever it arrives.

HD11 might be either powered down or disconnected from the network and used in portable mode, it is possible for the N-EVENT-REPORT to arrive from the Storage Commitment SCP while HD11 cannot receive it. If an outstanding N-EVENT-REPORT does not arrive within 96 hours, then HD11 will reissue the same Storage Commitment request. When the event arrives, HD11 returns an N-EVENT-REPORT response primitive with one of the following status codes.

Service Status	Further Meaning	Protocol Codes	Related Fields	Description
Success	Success	0000		N-EVENT-REPORT message understood.
Error	Failed	0110		N-EVENT-REPORT message was not processed successfully.

Table 9: Storage Commitment status codes

2.1.2.3 Verification of the existence of DICOM server on the hospitals network

Context: Expansion of Headings and sub-headings

- Application Entity Specifications
 - HD11 AE Specification
 - Association Initiation by Real-World Activity
 - Verification of the existence of DICOM server on the hospitals network

HD11 provides standard conformance to the DICOM V3.0 SOP Class as shown in the table below.

SOP Class Name	SOP Class UID	Role
Verification SOP Class	1.2.840.10008.1.1	SCU

Table 10: SOP Class Supported by Verification Service

2.1.2.3.1 Associated Real-World Activity

Context: Expansion of Headings and sub-headings

- Application Entity Specifications
 - HD11 AE Specification
 - Association Initiation by Real-World Activity
 - Verification of the existence of DICOM server on the hospitals network
 - Associated Real-World Activity

The user can verify the existence of a DICOM server on the hospitals network, through a button in the 'DICOM Setup' screen. When the user presses this button, HD11 will initiate the association.

2.1.2.3.2 Proposed Presentation Contexts

Context: Expansion of Headings and sub-headings

- Application Entity Specifications
 - HD11 AE Specification
 - Association Initiation by Real-World Activity
 - Verification of the existence of DICOM server on the hospitals network
 - Proposed Presentation Contexts

Only one association is established for each verification attempt. However, the proposed presentation contexts not only includes the 'Verification SOP class' but also includes all the SOP classes that HD11 could possibly be connected to as Servers. This is done in order to retrieve the capabilities of the remote Server.

The table below lists all the proposed presentation contexts.

Abstract Syntax		Transfer Syntax		Role	Extended Negotiation
Name	UID	Name List	UID List		
Verification SOP Class	1.2.840.10008.1.1	Explicit VR Little Endian	1.2.840.10008.1.2.1	SCU	None
		Implicit VR Little Endian	1.2.840.10008.1.2		
Ultrasound Multiframe Image Store	1.2.840.10008.5.1.4.1.1.3.1	Explicit VR Little Endian	1.2.840.10008.1.2.1	SCU	None
		Implicit VR Little Endian	1.2.840.10008.1.2		
		JPEG baseline	1.2.840.10008.1.2.4.50		
Ultrasound Image Store	1.2.840.10008.5.1.4.1.1.6.1	Explicit VR Little Endian	1.2.840.10008.1.2.1	SCU	None
		Implicit VR Little Endian	1.2.840.10008.1.2		

Abstract Syntax		Transfer Syntax		Role	Extended Negotiation
Name	UID	Name List	UID List		
		JPEG baseline	1.2.840.10008.1.2.4.50		
StorageCommitment Push Model	1.2.840.10008.1.20.1	Explicit VR Little Endian	1.2.840.10008.1.2.1	SCU	None
		Implicit VR Little Endian	1.2.840.10008.1.2		
Modality Worklist-Find	1.2.840.10008.5.1.4.31	Explicit VR Little Endian	1.2.840.10008.1.2.1	SCU	None
		Implicit VR Little Endian	1.2.840.10008.1.2		
Basic Grayscale Print Management Meta	1.2.840.10008.5.1.1.9	Explicit VR Little Endian	1.2.840.10008.1.2.1	SCU	None
		Implicit VR Little Endian	1.2.840.10008.1.2		
Basic Color Print Management Meta	1.2.840.10008.5.1.1.18	Explicit VR Little Endian	1.2.840.10008.1.2.1	SCU	None
		Implicit VR Little Endian	1.2.840.10008.1.2		
Modality Performed Procedure Step	1.2.840.10008.3.1.2.3.3	Explicit VR Little Endian	1.2.840.10008.1.2.1	SCU	None
		Implicit VR Little Endian	1.2.840.10008.1.2		

Table 11: Proposed Presentation Contexts

2.1.2.3.2.1 SOP Specific Conformance Statement for the Verification SOP class

Context: Expansion of Headings and sub-headings

- Application Entity Specifications
 - HD11 AE Specification
 - Association Initiation by Real-World Activity
 - Verification of the existence of DICOM server on the hospitals network
 - Proposed Presentation Contexts
 - SOP Specific Conformance Statement for the Verification SOP class

The C-ECHO request primitive is sent to the Verification SCP. The Verification SCP with a status indicator of success returns the C-ECHO response primitive. The absence of a C-ECHO response within a specific timeout period is an indication that the server cannot be located through the Verification service.

2.1.2.4 Printing DICOM studies to a B&W or color printer

Context: Expansion of Headings and sub-headings

- Application Entity Specifications
 - HD11 AE Specification
 - Association Initiation by Real-World Activity
 - Printing DICOM studies to a B&W or color printer

HD11 provides standard conformance to the following DICOM V3.0 SOP Class as an SCU.

SOP Class Name	SOP Class UID	Role
Basic Grayscale Print Management Meta	1.2.840.10008.5.1.1.9	SCU
Basic Color Print Management Meta	1.2.840.10008.5.1.1.18	SCU

Table 12: SOP Classes Supported by Print Service

The meta SOP classes are defined by the set of supported SOP classes.

The SOP class “Basic Grayscale Print Management Meta” is defined by the following set of supported SOP classes.

- Basic Film Session SOP Class
- Basic Film Box SOP Class
- Basic Grayscale Image Box SOP Class
- Printer SOP Class

The SOP class “Basic Color Print Management Meta” is defined by the following set of supported SOP classes.

- Basic Film Session SOP Class
- Basic Film Box SOP Class
- Basic Color Image Box SOP Class
- Printer SOP Class

The following implementation remarks are important to understand HD11’s usage of DICOM Print.

- The number of Film Boxes per Film Session is one.
- The number of images per Film Box is one.
- The images to be printed on one film are rendered by the HD11 into one logical image. This logical image is very large, depending on the pixel matrix size (pixels per line, lines per image), use of color or not. A rough indication is 20 Mbytes.

One should take this into account when selecting the DICOM printer and the printer configuration (e.g. the amount of memory).

- HD11 will release the association when the print command is given (i.e. the NACTION Request for the Film Box); the association is not kept open for receiving N-EVENTREPORT's of the Printer SOP Class.

2.1.2.4.1 Associated Real World Activity

Context: Expansion of Headings and sub-headings

- Application Entity Specifications
 - HD11 AE Specification
 - Association Initiation by Real-World Activity
 - Printing DICOM studies to a B&W or color printer
 - Associated Real World Activity

HD11 issues Print Management requests to an SCP supporting the DICOM V3.0 Print services, in order to produce hard copy representations of DICOM images, based on user requests.

2.1.2.4.2 Proposed Presentation Contexts

Context: Expansion of Headings and sub-headings

- Application Entity Specifications
 - HD11 AE Specification
 - Association Initiation by Real-World Activity
 - Printing DICOM studies to a B&W or color printer
 - Proposed Presentation Contexts

Print AE supports the following Presentation Contexts for **Print**.

Abstract Syntax		Transfer Syntax		Role	Extended Negotiation
Name	UID	Name List	UID List		
Basic Grayscale Print Management Meta	1.2.840.10008.5.1.1.9	Explicit VR Little Endian (Preferred, see Note)	1.2.840.10008.1.2.1	SCU	None
		Implicit VR Little Endian	1.2.840.10008.1.2		
Basic Color Print Management Meta	1.2.840.10008.5.1.1.18	Explicit VR Little Endian (Preferred, see Note)	1.2.840.10008.1.2.1	SCU	None
		Implicit VR Little Endian	1.2.840.10008.1.2		

Table 13: Print Presentation Contexts

Note: If the print server accepts both Explicit VR Little Endian and Implicit VR Little Endian then HD11 will send the images using Explicit VR Little Endian.

HD11 provides standard conformance to all the supported SOP classes of the “meta” SOP Classes, “Basic Grayscale Print Management Meta” and “Basic Color Print Management Meta”. These SOP Classes are –

1. Basic Film Session SOP Class
2. Basic Film Box SOP Class
3. Basic Grayscale Image Box SOP Class
4. Basic Color Image Box SOP Class
5. Printer SOP Class

The SOP specific conformance of these classes is described below.

2.1.2.4.2.1 SOP Specific Conformance to Basic Film Session SOP Class

Context: Expansion of Headings and sub-headings

- Application Entity Specifications
 - HD11 AE Specification
 - Association Initiation by Real-World Activity
 - Printing DICOM studies to a B&W or color printer
 - Proposed Presentation Contexts
 - SOP Specific Conformance to Basic Film Session SOP Class

HD11 requests the following DIMSE-N commands for the Basic Film Session SOP Class:
N-CREATE

I = Generated By

Attribute Name	Tag	U s a g e	Attribute Description	DICOM Notes	I		Value	
					U s r	S y s	Options	Default
Number of Copies	2000,0010	U	Number of duplicate copies to print	DICOM supports an integer number.	✓		1 to 99	1
Print Priority	2000,0020	U	Print priority sets the 'importance' of your print job relative to other jobs received by the printer.	DICOM supports: LOW, MEDIUM, HIGH Print priorities		✓	HIGH	
Medium Type	2000,0030	U	The type of media the printer prints on.	DICOM Supports PAPER, CLEAR FILM & BLUE FILM s as well as 'Printer Specific' options	✓		PAPER CLEAR FILM BLUE FILM	PAPER
Film Destination	2000,0040	U	The processed film will be stored in a film magazine or processor.	DICOM supports PROCESSOR and MAGAZINE as well as 'Printer Specific' options	✓		PROCESSOR MAGAZINE	PROCESSOR
Film Session	(2000,	U	Human readable label that identifies	Always sends		✓	"Philips Medical	"Philips Medical

Attribute Name	Tag	Usage	Attribute Description	DICOM Notes	I		Value	
					U sr	S ys	Options	Default
Label	0050)		the film session.	“Philips Medical Systems”			Systems”	Systems”

Table 14: Basic Film Session Attributes

2.1.2.4.2.2 SOP Specific Conformance to Basic Film Box SOP Class

Context: Expansion of Headings and sub-headings

- Application Entity Specifications
 - HD11 AE Specification
 - Association Initiation by Real-World Activity
 - Printing DICOM studies to a B&W or color printer
 - Proposed Presentation Contexts
 - SOP Specific Conformance to Basic Film Box SOP Class

HD11 requests the following DIMSE-N commands for the Basic Film Box SOP Class: N-CREATE

I = Generated By

Attribute Name	Tag	U s a g e	Attribute Description	DICOM Notes	I		Value	
					U s e	S r c e	Options	Default
Image Display Format	2010, 0010	M	Images are arranged on the film in a rectangular grid. The columns and rows control the layout.	DICOM Supports STANDARD\cols,rows as well as SLIDE, ROW/COL symmetric and printer specific options.	✓		STANDARD\cols,rows Cols:1..99, Rows:1..99 Note: Applied Value for this attribute (which is sent to the Print SCP) is always STANDARD\1,1. This is because, HD11 internally creates a single 1x1 image corresponding to one page. This (large) image is formed	Always set to STANDARD\1,1

Attribute Name	Tag	Usage	Attribute Description	DICOM Notes	I		Value	
					U	S	Options	Default
							based on the user selected value (e.g. STANDARD\2, 3) and the images that are part of the Print request.	
Film Orientation	2010, 0040	U	The orientation of the printed film or paper.	DICOM Supports: PORTRAIT & LANDSCAPE	✓		PORTRAIT LANDSCAPE	PORTRAIT
Film Size ID	2010, 0050	U	The overall size of the film or paper.	DICOM Supports all the user options as well as 'Printer Specific' options	✓		8INX10IN, 8_5INX11IN, 10INX12IN, 10INX14IN, 11INX14IN, 11INX17IN, 14INX14IN, 14INX17IN, 24CMX24CM, 24CMX30CM, A4, A3	8INX10IN
Magnification Type	(2010, 0060)	U	Interpolation type by which the printer magnifies or decimates the image in order to fit the image in the image box on film.	Defined Terms: REPLICATE BILINEAR CUBIC NONE	✓		Always set to NONE	NONE
Border Density	(2010, 0100)	U	Density of the film areas surrounding and between images on the film.	Defined Terms: BLACK WHITE i where i represents the desired density	✓		Always set to BLACK	Always set to BLACK

Attribute Name	Tag	Usage	Attribute Description	DICOM Notes	I		Value	
					U	S	Options	Default
				in hundreds of OD (e.g. 150 corresponds with 1.5 OD)				
Empty Image Density	(2010, 0110)	U	Density of the image box area on the film that contains no image.	Defined Terms: BLACK WHITE i where i represents the desired density in hundredths of OD (e.g. 150 corresponds with 1.5 OD)		✓	Always set to BLACK	Always set to BLACK
Min Density	(2010, 0120)	U	Minimum density of the images on the film. If Min Density is lower than minimum printer density then Min Density is set to minimum printer density.	Entered in hundredths of Optical Density (OD)		✓	Always set to value '0'.	0
Trim	2010, 0140	U	Draw frame box around each image	DICOM Supports: YES or NO		✓	"NO"	
Max Density	2010, 0130	U	Min and Max Density give the range of allowable image densities for an image on the film. If the density is outside the printer's range, the printer's limit will	Entered in hundredths of Optical Density (OD)		✓	0 - 999	300

Attribute Name	Tag	Usage	Attribute Description	DICOM Notes	I		Value	
					U	S	Options	Default
			be used.					
Configuration Information	2010, 0150	U	Printer-specific configuration Information	DICOM supports a config ID # or a config string	✓		Config ID # Or Config string	"CS000"
Referenced Film Session Sequence	2010, 0500	M	Referenced Film Session Sequence	N/A		✓	Always set	
>Referenced SOP Class UID	0008, 1150	M	>Referenced SOP Class UID	N/A		✓	Always set	
>Referenced SOP Instance UID	0008, 1155	M	>Referenced SOP Instance UID	N/A		✓	Always set	

Table 15: Basic Film Box Attributes**N-ACTION**

HD11 provides all possible printer settings. For a specific printer, the user must check the manufacturer's documentation to determine the subset of available settings that the printer actually supports. For example, if the user configures the B&W printer to use a film-size of 141nx171N but the maximum film size supported by the printer is 8_51NX111N, then the printer may reject the images.

2.1.2.4.2.3 SOP Specific Conformance to Basic Grayscale Image Box SOP Class

Context: Expansion of Headings and sub-headings

- Application Entity Specifications
 - HD11 AE Specification
 - Association Initiation by Real-World Activity
 - Printing DICOM studies to a B&W or color printer
 - Proposed Presentation Contexts
 - SOP Specific Conformance to Basic Grayscale Image Box SOP Class

Print AE issues the following DIMSE-N commands for the Basic Grayscale Image Box SOP Class:

N-SET

Attribute Name	Tag	Usage	Description	Generated By		Value	
				Usr	Sys	Options	Default
Image Position	2020, 0010	M	The position of the image on the media		✓	Always set to 1	
Polarity	2020, 0020	U	Polarity of image on media (NORMAL or REVERSE)		✓	NORMAL	
Basic Grayscale Image Sequence Type	2020, 0110	M	The image data attributes		✓	Always set (but only for B&W Images.)	
>Samples Per Pixel	0028, 0002	M	The number of data samples per pixel		✓	Always set (1)	
>Photometric Interpretation	0028, 0004	M	Interpretation of pixel data (MONOCHROME1/2, PALETTE COLOR, RGB, etc.)		✓	Always set (MONOCHROME2)	

Attribute Name	Tag	Usage	Description	Generated By		Value	
				Usr	Sys	Options	Default
>Rows	0028,0010	M	The number of rows in the image, specified by the value sizeY in the setup dialog. Default is 5216	✓		Always set	
>Columns	0028,0011	M	The number of columns in the image, specified by the value sizeX in the setup dialog. Default is 4096	✓		Always set	
>Bits Allocated	0028,0100	M	Number of bits per pixel allocated		✓	Always set (8)	
>Bits Stored	0028,0101	M	Number of bits per pixel actually stored		✓	Always set (8)	
>High Bit	0028,0102	M	The most-significant-bit in the pixel		✓	Always set (7)	
>Pixel Representation	0028,0103	M	Pixel representation (unsigned – 0 or signed – 1)		✓	Always set (0)	
>Pixel Data	7FE0,0010	M	The pixel data		✓	Always set	

Table 16: Basic Grayscale Image Box Attributes

2.1.2.4.2.4 SOP Specific Conformance to Basic Color Image Box SOP Class

Context: Expansion of Headings and sub-headings

- Application Entity Specifications
 - HD11 AE Specification
 - Association Initiation by Real-World Activity
 - Printing DICOM studies to a B&W or color printer
 - Proposed Presentation Contexts
 - SOP Specific Conformance to Basic Color Image Box SOP Class

Print AE issues the following DIMSE-N commands for the Basic Color Image Box SOP Class:
N-SET.

Attribute Name	Tag	Usage	Description	Generated By		Value	
				Usr	Sys	Options	Default
Image Position	2020,0010	M	Same as 2.1.2.4.2.3, SOP Specific Conformance to Basic Grayscale Image Box SOP Class				
Polarity	2020,0020	U	Same as 2.1.2.4.2.3, SOP Specific Conformance to Basic Grayscale Image Box SOP Class				
Basic Color Image Sequence	2020,0111	M	The image data attributes		✓	Always set (but only for Color Images.)	
>Samples Per Pixel	0028,0002	M	The number of data samples per pixel		✓	Always set (3)	
>Photometric Interpretation	0028,0004	M	Interpretation of pixel data (MONOCHROME1/2, PALETTE COLOR, RGB, etc.)		✓	Always set (RGB)	
>Planar Configuration	0028,0006	M	Planar configuration (color-by-pixel = 0 or color-by-plane = 1)	✓		Configurable by user in DICOM Setup as either color-by-pixel or color-by-plane.	

Attribute Name	Tag	Usage	Description	Generated By		Value	
				Usr	Sys	Options	Default
>Rows	0028, 0010	M	The number of rows in the image, specified by the value sizeY in the setup dialog. Default is 5216	✓		Always set	
>Columns	0028, 0011	M	The number of columns in the image, specified by the value sizeX in the setup dialog. Default is 4096	✓		Always set	
>Bits Allocated	0028, 0100	M	Number of bits per sample allocated		✓	Always set (8)	
>Bits Stored	0028, 0101	M	Number of bits per sample actually stored		✓	Always set (8)	
>High Bit	0028, 0102	M	The most-significant-bit in the sample		✓	Always set (7)	
>Pixel Representation	0028, 0103	M	Pixel representation (unsigned – 0 or signed – 1)		✓	Always set (0)	
>Pixel Data	7FE0, 0010	M	The pixel data		✓	Always set	

Table 17: Basic Color Image Box Attributes

2.1.2.4.2.5 SOP Specific Conformance to Printer SOP Class

Context: Expansion of Headings and sub-headings

- Application Entity Specifications
 - HDII AE Specification
 - Association Initiation by Real-World Activity
 - Printing DICOM studies to a B&W or color printer
 - Proposed Presentation Contexts
 - SOP Specific Conformance to Printer SOP Class

HDII issues the following DIMSE-N commands for the Printer SOP Class:
N-GET.

Attribute Name	Tag	Usage SCU/SCP
Printer Status	(2110,0010)	U/M
Printer Status Info	(2110,0020)	U/M

Table 18: Printer Attributes

Note: These printer commands are issued for internal use only. The printer status is never reported back to the user.

2.1.2.5 Obtaining a list of scheduled work from the HIS via Modality Worklists

Context: Expansion of Headings and sub-headings

- Application Entity Specifications
 - HD11 AE Specification
 - Association Initiation by Real-World Activity
 - Obtaining a list of scheduled work from the HIS via Modality Worklists

HD11 provides Standard Conformance to the following DICOM V3.0 **Worklist Management** SOP Class as an SCU.

SOP Class Name	SOP Class UID	Role
Modality Worklist Info Model - FIND	1.2.840.10008.5.1.4.31	SCU

Table 19: SOP Class Supported by Worklist Management Service

HD11 requests the transfer of worklists with the DIMSE C-FIND command.

2.1.2.5.1 Associated Real-World Activity

Context: Expansion of Headings and sub-headings

- Application Entity Specifications
 - HD11 AE Specification
 - Association Initiation by Real-World Activity
 - Obtaining a list of scheduled work from the HIS via Modality Worklists
 - Associated Real-World Activity

HD11 obtains scheduled worklists from the Modality Worklist Server in two ways; the user can manually request a fresh copy of the desired worklist from the Modality Worklist Server by pressing the Refresh button on the Patient Selection screen, also requests can be made on a polled basis in the background, with a polling interval configured by the user.

If HD11 is not connected to the network, the 'Refresh' button is grayed-out. If HD11 is connected to the network, the 'Refresh' button is enabled; the user can then press it to perform a manual refresh of HD11's worklist: HD11 will first negotiate a C-ECHO with the server to verify that the MWL server is live and if live, perform the C-Find.

Note that if HD11 is not connected to the Modality Worklist Server network, the worklist cached in HD11 may be out-of-date with the worklist maintained by the Modality Worklist Server. Nevertheless, the cached worklist is available for use on portable exams.

When HD11 is reconnected to the network a fresh copy of the current list is requested.

2.1.2.5.2 Proposed Presentation Contexts

Context: Expansion of Headings and sub-headings

- Application Entity Specifications
 - HDI I AE Specification
 - Association Initiation by Real-World Activity
 - Obtaining a list of scheduled work from the HIS via Modality Worklists
 - Proposed Presentation Contexts

Abstract Syntax		Transfer Syntax		Role	Extended Negotiation
Name	UID	Name List	UID List		
Modality Worklist Info Model – FIND	1.2.840.10008.5.1.4.31	Explicit VR Little Endian (Preferred, see Note)	1.2.840.10008.1.2.1	SCU	None
		Implicit VR Little Endian	1.2.840.10008.1.2		

Table 20: Worklist Management - Presentation Context

Note: If the worklist server accepts both Explicit VR Little Endian and Implicit VR Little Endian then HDI I will use Explicit VR Little Endian as a transfer syntax.

2.1.2.5.2.1 SOP Specific Conformance Statement for the Modality Worklist SOP Class

Context: Expansion of Headings and sub-headings

- Application Entity Specifications
 - HD11 AE Specification
 - Association Initiation by Real-World Activity
 - Obtaining a list of scheduled work from the HIS via Modality Worklists
 - Proposed Presentation Contexts
 - SOP Specific Conformance Statement for the Modality Worklist SOP Class

HD11 provides standard conformance to the DICOM Worklist Management Service Class.

The table below describes the use of attributes as both Matching Key values in the C-FIND request message, and as Return Keys in the set of C-FIND-RSP messages. The Matching Key Usage follows the DICOM Standard for attribute matching, including Single Value matching and Range matching. For those Matching Keys that are used by HD11, the Attribute Type as defined by DICOM is indicated: Required or Optional. These values indicate the degree to which the MWL SCP must support the attribute as a Matching Key.

Similarly, the Attribute Type of values used as Return Keys is given as defined by DICOM: Type 1 (required), Type 1C (conditionally required), Type 2 (required but may be NULL), Type 2C (conditionally required but may be NULL), or Type 3 (optional).

An empty value in the Matching Key column means that this value is not used as a matching key. An empty value in the Return Key column means that HD11 ignores this value. If an attribute that is non-mandatory to the SCU is not used by HD11 as a matching key and its value as a return key is ignored, the attribute is omitted from the list of attributes.

Attribute Name	Tag	Matching Key Usage	Return Key Usage
SOP Common			
Specific Character Set	0008, 0005		Ignored by HD11.
Scheduled Procedure Step			
Scheduled Procedure Step Sequence	0040, 0100	Required	Type 1

Attribute Name	Tag	Matching Key Usage	Return Key Usage
> Scheduled Station AE Title	0040, 0001	Required	Type I Set in MPPS.
> Scheduled Procedure Step Start Date	0040, 0002	Required	Type I Used in Patient Selection screen. Set in MPPS.
> Scheduled Procedure Step Start Time	0040, 0003	Required	Type I Used in Patient Selection screen. Set in MPPS.
> Modality	0008, 0060	Required	Type I Set in MPPS.
> Scheduled Performing Physician's Name	0040, 0006		Type 2 Sets "Performing Physician's Name" in the MPPS. Note: This is not used to set the 'Performed by' field in the Patient Id screen however it is expected that a future release would set this value.
> Scheduled Procedure Step Description	0040, 0007		Type IC Set in MPPS and images. May be used to set "Description" field on the Patient Selection screen, and "Study Description" in images: 2nd choice, configurable
> Scheduled Station Name	0040, 0010		Type 2 An institution defined name for the modality on which the Scheduled Procedure Step is scheduled to be performed.
> Scheduled Procedure Step Location	0040, 0011		Type 2 Sets "Location" field on the Patient Selection screen.
> Scheduled Protocol Code	0040,		Type IC

Attribute Name	Tag	Matching Key Usage	Return Key Usage
Sequence	0008		Set as “Scheduled Action Item Code Sequence” and “Performed Action Item Code Sequence” in MPPS, and as “Scheduled Protocol Code Sequence” in images.
>> Code Value	0008, 0100		Type 1 Set in MPPS and images.
>> Coding Scheme Designator	0008, 0102		Type 1 Set in MPPS and images.
>> Coding Scheme Version	0008, 0103		Type 3 If present, set in MPPS and images.
>> Code Meaning	0008, 0104		Type 3 If present, set in MPPS and images. May also be used to set “Description” field on the Patient Selection screen, and “Study Description” in images: 3rd choice, configurable
> Pre-Medication	0040, 0012		Type 2C Required if Pre-Medication is to be applied to that Scheduled Procedure Step.
> Scheduled Procedure Step ID	0040, 0009		Type 1 Set in MPPS and images.
> Scheduled Procedure Step Status	0040, 0020		Type 3 Scheduled Procedure Step Status
> Comments on the Scheduled Procedure Step	0040, 0400		Type 3 User-defined comments on the Scheduled Procedure Step.
Requested Procedure			
Requested Procedure ID	0040,		Type 1

Attribute Name	Tag	Matching Key Usage	Return Key Usage
	1001		Set in MPPS and images.
Requested Procedure Description	0032, 1060		Type IC Set in "Description" field on the Patient Selection screen, and "Study Description" in Patient ID screen. This attribute present in MPPS and Image takes value from "Study Description" field of Patient ID.
Requested Procedure Code Sequence	0032, 1064		Type IC If present, set as "Procedure Code Sequence" in MPPS.
> Code Value	0008, 0100		Type IC Set in MPPS.
> Coding Scheme Designator	0008, 0102		Type IC Set in MPPS.
> Coding Scheme Version	0008, 0103		Type 3 If present, set in MPPS.
> Code Meaning	0008, 0104		Type 3 If present, set in MPPS.
Study Instance UID	0020, 000D		Type 1 Set in MPPS and images.
Referenced Study Sequence	0008, 1110		Type 2 Set in MPPS and images.
> Referenced SOP Class UID	0008, 1150		Type IC Value from MWL is not used in the application. Set as 'Detached Study Management SOP Class' UID (1.2.840.10008.3.1.2.3.1) in MPPS and images.

Attribute Name	Tag	Matching Key Usage	Return Key Usage
> Referenced SOP Instance UID	0008, 1155		Type 1C Set in MPPS and images.
Reason for the Requested Procedure	0040, 1002		Type 3 May be used to set "Indication" field on the Patient Selection screen: 1st choice, configurable
Imaging Service Request			
Accession Number	0008, 0050		Type 2 Displayed on Patient ID screen. Set in MPPS and images.
Referring Physician's Name	0008, 0090		Type 2 Sets "Referring Physician" in the Patient ID screen and the 'Patient Selection' screen.
Reason for Imaging Service Request	0040, 2001		Type 3 May be used to set "Indication" field on the Patient Selection screen: 2nd choice, configurable
Visit Relationship			
Referenced Patient Sequence	0008, 1120		Type 2 Set in MPPS.
> Referenced SOP Class UID	0008, 1150		Type 2 Value from MWL is not used in the application. Set as 'Detached Patient Management SOP Class ' UID (1.2.840.10008.3.1.2.1.1) in MPPS.

Attribute Name	Tag	Matching Key Usage	Return Key Usage
> Referenced SOP Instance UID	0008, 1155		Type 2 Set in MPPS.
Patient Identification			
Patient Name	0010, 0010		Type 1 Displayed on 'Patient ID' screen and 'Patient Selection' screen. Set in MPPS and used as a tag in images.
Patient ID	0010, 0020		Type 1 Displayed in "MRN" field of 'Patient ID' screen and 'Patient Selection' screen. Set in MPPS and used as a tag in images.
Patient Demographic			
Patient's Birth Date	0010, 0030		Type 2 Sets the "DOB" field on the Patient ID and Patient Selection screen. Set in MPPS.
Patient Sex	0010, 0040		Type 2 Sets the "Gender" field on the 'Patient ID' screen and 'Patient Selection' screen. Set in MPPS.
Patient's Weight	0010, 1030		Type 2 Sets the "Weight" field on the 'Patient ID' and 'Patient Selection' screens.
Patient's Size	0010, 1020		Type 3 Sets the "Height" field on the

Attribute Name	Tag	Matching Key Usage	Return Key Usage
			'Patient ID' and 'Patient Selection' screens.

Table 21: Modality Worklist Usage in the Worklist Management service

2.1.2.6 Updating the status of a scheduled procedure

Context: Expansion of Headings and sub-headings

- Application Entity Specifications
 - HD11 AE Specification
 - Association Initiation by Real-World Activity
 - Updating the status of a scheduled procedure

HD11 provides Standard Conformance to the following DICOM V3.0 Modality Performed Procedure Step (MPPS) SOP Class as an SCU.

SOP Class Name	SOP Class UID	Role
Modality Performed Procedure Step SOP Class	1.2.840.10008.3.1.2.3.3	SCU

Table 22: SOP Class Supported by MPPS service

The system uses N-CREATE and N-SET commands to notify the MPPS Server whenever the status of a patient's study has changed.

2.1.2.6.1 Associated Real-World Activity

Context: Expansion of Headings and sub-headings

- Application Entity Specifications
 - HD11 AE Specification
 - Association Initiation by Real-World Activity
 - Updating the status of a scheduled procedure
 - Associated Real-World Activity

The opening of a study marks the beginning of a new Modality Performed Procedure Step (MPPS). At this time, a MPPS record is created on the MPPS SCP through the use of the N-CREATE service. If the MPPS SCP is unavailable at the time the first image is stored, the request is queued and will be sent when the MPPS SCP is available.

When the user ends the scheduled procedure by closing the study and saving any changes, the MPPS status is “Completed”. Alternatively, the user may choose to cancel acquisition, the study is saved in local storage and the MPPS status becomes “Discontinued”. At this time, the Study Management AE attempts to modify the MPPS on the MPPS SCP through the use of the N-SET service. If the MPPS SCP is unavailable, the request is queued and will be sent when the MPPS SCP is available.

2.1.2.6.2 Proposed Presentation Contexts

Context: Expansion of Headings and sub-headings

- Application Entity Specifications
 - HD11 AE Specification
 - Association Initiation by Real-World Activity
 - Updating the status of a scheduled procedure
 - Associated Real-World Activity
 - Proposed Presentation Contexts

Abstract Syntax		Transfer Syntax		Role	Extended Negotiation
Name	UID	Name List	UID List		
Modality Performed Procedure Step	1.2.840.1000 8.3.1.2.3.3	Explicit VR Little Endian (Preferred, see Note)	1.2.840.10008.1.2.1	SCU	None
		Implicit VR Little Endian	1.2.840.10008.1.2		

Table 23: MPPS - Presentation Context

Note: If the SCP accepts both Explicit VR Little Endian and Implicit VR Little Endian then HD11 will use Explicit VR Little Endian.

2.1.2.6.2.1 SOP Specific Conformance Statement for the MPPS SOP Class

Context: Expansion of Headings and sub-headings

- Application Entity Specifications
 - HD11 AE Specification
 - Association Initiation by Real-World Activity
 - Updating the status of a scheduled procedure
 - Associated Real-World Activity
 - Proposed Presentation Contexts
 - SOP Specific Conformance Statement for the MPPS SOP Class

HD11 provides standard conformance to the DICOM MPPS Service Class.

The updated attributes are shown in the table below. The “N_CREATE Usage” column shows the attributes transmitted when the status of the study changes to “IN_PROGRESS”. The “N-SET Usage” column shows the attributes transmitted when the status of the study changes to “COMPLETED” or “DISCONTINUED”.

Note: The following fields are copied from the selected MWL entry to the Patient ID screen:

Accession Number,
 Patient's Name,
 Patient's ID,
 Patient's Birth Date
 Patient's Sex
 Referring Physician's Name
 Study description

Usually, the performing physician will accept the information in the Patient ID Screen, as is, however the physician has the option of editing the information before starting the study. If the physician edits this information then the MPPS N-CREATE command that is sent to the MPPS server on study start will use the edited information and not the original MWL information.

Attribute Name	Tag	N-CREATE Usage	N-SET Usage
Specific Character Set	0008, 0005	Not used, even though some attributes may contain characters from the Latin I character set	Not used, even though some attributes may contain characters from the Latin I character set
Performed Procedure Step Relationship			
Scheduled Step Attribute Sequence	0040, 0270	Present	Not allowed

Attribute Name	Tag	N-CREATE Usage	N-SET Usage
> Study Instance UID	0020, 000D	If available from the MWL; else synthesized by the host imaging system	Not allowed
> Referenced Study Sequence	0008, 1110	If present in MWL else NULL	Not allowed
>> Referenced SOP Class UID	0008, 1150	Detached Study Mgmt SOP Class: 1.2.840.10008.3.1.2.3.1	Not allowed
>> Referenced SOP Instance UID	0008, 1155	If present in MWL else NULL	Not allowed
> Accession Number	0008, 0050	From the "Accession number" field of the Patient ID screen. If the study is started from MWL, the "Accession Number" field of Patient ID screen is populated from 'Accession Number' attribute of MWL.	Not allowed
> Requested Procedure ID	0040, 1001	If present in MWL else NULL	Not allowed
> Requested Procedure Description	0032, 1060	From "Study Description" field of Patient ID screen. If the study is started from MWL, the "Study Description" field of Patient ID screen is populated from 'Requested Procedure Description' attribute of MWL. (1st choice, configurable)	Not allowed
> Scheduled Procedure Step ID	0040, 0009	If available from the MWL else NULL	Not allowed
> Scheduled Procedure Step Description	0040, 0007	If available from the MWL else NULL	Not allowed
> Scheduled Protocol Code Sequence	0040, 0008	If available from the MWL else NULL	Not allowed
>> Code Value	0008, 0100	From the MWL	Not allowed
>> Coding Scheme Designator	0008, 0102	From the MWL	Not allowed
>> Coding Scheme Version	0008, 0103	From the MWL	Not allowed
>> Code Meaning	0008, 0104	From the MWL	Not allowed

Attribute Name	Tag	N-CREATE Usage	N-SET Usage
Patient Name	0010, 0010	Generated from the "Name" fields of the Patient ID screen. If the study is started from MWL, the Patient Name fields of Patient ID screen is populated from 'Patient Name' attribute of MWL.	Not allowed
Patient ID	0010, 0020	From the "MRN" field of the Patient ID screen. If the study is started from MWL, the "MRN" field of Patient ID screen is populated from 'Patient ID' attribute of MWL.	Not allowed
Patient's Birth Date	0010, 0030	From the "Birth Date" field of the Patient ID screen. If the study is started from MWL, the "Gender" field of Patient ID screen is populated from 'Patient's Birth Date' attribute of MWL.	Not allowed
Patient Sex	0010, 0040	From the "Gender" field of the Patient ID screen. If the study is started from MWL, the "Gender" field of Patient ID screen is populated from 'Patient Sex' attribute of MWL.	Not allowed
Referenced Patient Sequence	0008, 1120	If available from the MWL; else NULL	Not allowed
> Referenced SOP Class UID	0008, 1150	Detached Patient Mgmt SOP Class UID 1.2.840.10008.3.1.2.1.1	Not allowed
> Referenced SOP Instance UID	0008, 1155	If available from the MWL; else NULL	Not allowed
Performed Procedure Step Information			
Performed Procedure Step ID	0040, 0253	Always generated by HD11. Set as current date and time in the format yyyymmdd.hhmmss.	Not allowed
Performed Station AE Title	0040, 0241	AE Title of HD11	Not allowed

Attribute Name	Tag	N-CREATE Usage	N-SET Usage
Performed Station Name	0040, 0242	Same as the 'Performed Station AE Title', tag (0040,0241)	Not allowed
Performed Location	0040, 0243	If available from the MWL, else NULL	Not allowed
Performed Procedure Step Start Date	0040, 0244	Set as date on which the Performed Procedure Step is started.	Not allowed
Performed Procedure Step Start Time	0040, 0245	Set as time on which the Performed Procedure Step is started.	Not allowed
Performed Procedure Step Status	0040, 0252	"IN PROGRESS"	"COMPLETED" or "DISCONTINUED"
Performed Procedure Step Description	0040, 0254	Set from "Study Description" field of Patient Id screen.	Not used
Performed Procedure Type Description	0040, 0255	If "Scheduled Procedure Description" available from MWL, else "Indication" field from Patient ID screen	Not used
Procedure Code Sequence	0008, 1032	If "Requested Procedure Code Sequence" available from the MWL; else NULL	If "Requested Procedure Code Sequence" available from the MWL; else NULL
> Code Value	0008, 0100	From the MWL	From the MWL
> Coding Scheme Designator	0008, 0102	From the MWL	From the MWL
> Coding Scheme Version	0008, 0103	If available from the MWL; else omitted	If available from the MWL; else omitted
> Code Meaning	0008, 0104	If available from the MWL; else omitted	If available from the MWL; else omitted
Performed Procedure Step End Date	0040, 0250	NULL (empty string sent)	Date "End Study" is pressed.
Performed Procedure Step End Time	0040, 0251	NULL (empty string sent)	Time "End Study" is pressed.
Image Acquisition Results			
Modality	0008, 0060	"US"	Not allowed

Attribute Name	Tag	N-CREATE Usage	N-SET Usage
Study ID	0020, 0010	A system generated Study identifier that is unique only within the HDII system that generated the study. The Study Identifier starts at 1 and is incremented by one for each new study created on that system. Study Identifiers will not be unique across multiple HDII systems.	Not allowed
Performed Protocol Code Sequence	0040, 0260	If "Scheduled Protocol Code Sequence" available from the MWL; else NULL	If "Scheduled Protocol Code Sequence" available from the MWL; else NULL
> Code Value	0008, 0100	From the MWL	From the MWL
> Coding Scheme Designator	0008, 0102	From the MWL	From the MWL
> Coding Scheme Version	0008, 0103	If available from the MWL; else omitted	If available from the MWL; else omitted
> Code Meaning	0008, 0104	If available from the MWL; else omitted	If available from the MWL; else omitted
Performed Series Sequence	0040, 0340	One item representing the series used for this MPPS	One item representing the series used for this MPPS
> Performing Physician's Name	0008, 1050	From the "Performed By" field of the Patient ID screen	From the "Performed By" field of the Patient ID screen
> Protocol Name	0018, 1030	"CLR Standard" for all exams.	"CLR Standard" for all exams.
> Operator's Name	0008, 1070	From the "Performed By" field of the Patient ID screen; else NULL	From the "Performed By" field of the Patient ID screen; else NULL
> Series Instance UID	0020, 000E	Synthesized by HDII	Synthesized by HDII
> Series Description	0008, 103E	NULL	NULL
> Retrieve AE Title	0008, 0054	NULL	NULL

Attribute Name	Tag	N-CREATE Usage	N-SET Usage
> Referenced Image Sequence	0008, 1140	NULL	NULL
> Referenced Non-image Composite SOP Instance Sequence	0040, 0220	NULL	NULL

Table 24: Modality Performed Procedure Step N-CREATE and N-SET Attributes

2.1.3 Association Acceptance Policy

2.1.3.1 Responding to a verification request from a remote DICOM server

Context: Expansion of Headings and sub-headings

- Application Entity Specifications
 - HD11 AE Specification
 - Association Acceptance Policy
 - Responding to a verification request from a remote DICOM server

HD11 provides standard conformance to the DICOM V3.0 SOP Class as shown in the table below.

SOP Class Name	SOP Class UID	Role
Verification SOP Class	1.2.840.10008.1.1	SCP

Table 25: SOP Class Supported by Verification service

2.1.3.1.1 Associated Real-World Activity

Context: Expansion of Headings and sub-headings

- Application Entity Specifications
 - HD11 AE Specification
 - Association Acceptance Policy
 - Responding to a verification request from a remote DICOM server
 - Associated Real-World Activity

The ultrasound system employs a Verification SCP to reply to verification requests sent by remote devices. This will allow the remote device to ensure the availability of HD11 on the network, within the constraints of the network topology, and timeout values.

HD11 employs a 'high security' paradigm and will only respond to C-Echo requests from DICOM Servers that it knows about. Specifically, the following steps must have been performed:

1. In DICOM Setup, add the DICOM server to the list of DICOM servers.
2. Assign the server to the appropriate role.

Accepted Presentation Contexts

Context: Expansion of Headings and sub-headings

- Application Entity Specifications
 - HD11 AE Specification
 - Association Acceptance Policy
 - Responding to a verification request from a remote DICOM server
 - Accepted Presentation Contexts

Only one association is established for each verification attempt. When the association is opened, the presentation contexts noted in the table below are accepted.

Abstract Syntax		Transfer Syntax		Role	Extended Negotiation
Name	UID	Name List	UID List		
Verification SOP Class	1.2.840.10008.1.1	Explicit VR Little Endian	1.2.840.10008.1.2.1	SCP	None
		Implicit VR Little Endian	1.2.840.10008.1.2		
		Explicit VR Big Endian	1.2.840.10008.1.2.2		

Table 26: Accepted Presentation Contexts

3. HD11 as a Media Storage Application

The implementation model, application data flow diagram, functional definition of the HD11 AE, sequencing of real world activities are the same as in section 2.

3.1 File Meta Information for the HD11 AE

Context: Expansion of Headings and sub-headings

- HD11 as a Media Storage Application
 - File Meta Information for the HD11 AE

Element	Implementation Value
Implementation Class UID	1.2.840.113543.6.6.4.6
Implementation Version Name	HD11_V1.0.7

Table 27: Implementation Identifying Information

3.2 Real-World Activities

3.2.1 Saving a DICOM Study to removable media

Context: Expansion of Headings and sub-headings

- HD11 as a Media Storage Application
 - Real-World Activities
 - Saving a DICOM Study to removable media

The HD11 AE conforms to the Application Profile for Ultrasound Media Storage applications. For all SOP Classes described in the Application Profile, this AE performs in the role of File Set Creator (FSC) and File Set Updater (FSU). The particular physical media available is 3.5" MOD, CD-R or CD-RW. For previously imported studies, HD11 will export the IODs using the transfer syntax and tags that were used when HD11 originally imported the study.

Supported Application Profile	Real-World Activity	Roles	Service Class Option
STD-US-SC-SF&MF	Export Study	FSC and FSU	Interchange
STD-US-ID-SF&MF	Export Study	FSC and FSU	Interchange

Table 28: Export study to DICOM media

The Export DICOM Objects Application Entity acts as FSC and FSU using the Interchange Option.

When saving a DICOM study to removable media, the user can specify the photometric interpretation and transfer syntax used to create DICOM files on the media. The options available to users are listed in the table below:

Transfer Syntax and Photometric Interpretation options for removable media
Uncompressed (DICOM Implicit VR Little Endian) Palette Color
Uncompressed (DICOM Explicit VR Little Endian) Palette Color
Uncompressed (DICOM Implicit VR Little Endian) RGB
Uncompressed (DICOM Explicit VR Little Endian) RGB
Uncompressed (DICOM Implicit VR Little Endian) MONOCHROME2
Uncompressed (DICOM Explicit VR Little Endian) MONOCHROME2
RLE (lossless) Compression Palette Color
RLE (lossless) Compression RGB
RLE (lossless) Compression MONOCHROME2
JPEG (lossy) Compression YBR

Table 29: Photometric Interpretation and Transfer Syntax Options for Saving to Removable Media

HD11 creates special PanView internal files called 'dataset' files that are never exported to a PACS but may be optionally exported to media. These DICOM files are not exported in network storage since they are only of use to HD11's PanView application and HD11 does not support networked Query/Retrieve. However, these files may optionally be exported to media with the rest of the study for archival purposes. The study could later be imported into an HD11 system and the user would be able to click on the dataset file to enter into the PanView application

3.2.2 Reading a DICOM study from removable media

Context: Expansion of Headings and sub-headings

- HD11 as a Media Storage Application
 - Real-World Activities
 - Reading a DICOM study from removable media

When requested to read the media directory, the Import DICOM Objects Application Entity acts as FSR using the Interchange Option,

The user choosing the Import operation from a menu initiates importing images. See the system user manuals for a description of the specific user interface capabilities.

3.2.2.1 Import DICOM Object Specifications

Context: Expansion of Headings and sub-headings

- HD11 as a Media Storage Application
 - Real-World Activities
 - Reading a DICOM study from removable media
 - Import DICOM Object Specifications

The HD11 AE conforms to the Application Profile for Ultrasound Media Storage applications. For all SOP Classes described in the Application Profile, this AE performs in the role of File Set Reader (FSR). The particular physical media available is 3.5" MOD, CD-R or CD-RW. Image Display and Spatial Calibration of Single and Multi-Frame image objects on any media in the Ultrasound Application Profile is therefore supported.

Supported Application Profile	Real-World Activity	Roles	Service Class Option
STD-US-SC-SF&MF-FLOP	Import Studies	FSR	Interchange
STD-US-SC-SF&MF-MOD128	Import Studies	FSR	Interchange
STD-US-SC-SF&MF-MOD230	Import Studies	FSR	Interchange
STD-US-SC-SF&MF-MOD540	Import Studies	FSR	Interchange
STD-US-SC-SF&MF-MOD650	Import Studies	FSR	Interchange
STD-US-SC-SF&MF-MOD12	Import Studies	FSR	Interchange
STD-US-SC-SF&MF-MOD23	Import Studies	FSR	Interchange
STD-US-SC-SF&MF-CDR	Import Studies	FSR	Interchange

Table 30: DICOM Objects Application Profiles

HD11's DICOM Study Import feature is designed for importing studies that *were originally exported from HD11*. The system will not allow the user to import ultrasound studies created by another manufacturers system.

3.2.2.2 Media Storage Application Profiles

Context: Expansion of Headings and sub-headings

- HDII as a Media Storage Application
 - Real-World Activities
 - Reading a DICOM study from removable media
 - Media Storage Application Profiles

The supported Application Profiles are listed in Table 30: DICOM Objects Application Profiles.

3.2.2.3 SOP Specific Conformance For “DICOM Directory” SOP Class

Context: Expansion of Headings and sub-headings

- HD11 as a Media Storage Application
 - Real-World Activities
 - Reading a DICOM study from removable media
 - SOP Specific Conformance For “DICOM Directory”

Type 1, 1C, 2, and 2C data elements present in the Basic Directory Object are supported as required in DICOM 3.0, Parts 3 and 10. They are used for properly navigating through the directory data structures, recognizing and conforming to the character set being used, and the Import Study user interface to aid in the selection of objects to import. Data elements that elicit behavior that is specific to the Application Entity are described in the sections below. If Type 2 data elements are null or if Type 3 data elements are absent, the data elements are ignored by the system and the corresponding display fields in the user interface screen(s) are left blank.

3.2.2.4 File-Set Identification Module

Context: Expansion of Headings and sub-headings

- HDII as a Media Storage Application
 - Real-World Activities
 - Reading a DICOM study from removable media
 - File-Set Identification Module

Contents of the File-set Identification Module are not displayed or otherwise used in this version of HDII.

3.2.2.5 Directory Information Module

Context: Expansion of Headings and sub-headings

- HD11 as a Media Storage Application
 - Real-World Activities
 - Reading a DICOM study from removable media
 - Directory Information Module

All data elements are used as described in DICOM 3.0 Part 3 for Basic Directory Object Definitions. As stated in the Ultrasound Application Profile, “The (DICOMDIR) Directory shall include Directory Records of PATIENT, STUDY, SERIES, and IMAGE corresponding to the information object files in the File-set”. Given this requirement, HD11 uses these directory records to identify the study to import. If there are DICOM image files on the import media that do not appear in the DICOMDIR Directory Information Module (either because references to these files were omitted or because the Directory Information Module, optional in DICOM but required in the Ultrasound Application Profile, does not exist), these files are not recognized by the system.

HD11 ignores directory Record Types other than those above.

HD11 also ignores the “File-set consistency Flag” (0004, 1212).

3.2.2.5.1 Patient Directory Record

Context: Expansion of Headings and sub-headings

- HD11 as a Media Storage Application
 - Real-World Activities
 - Reading a DICOM study from removable media
 - Directory Information Module
 - Patient Directory Record

Attribute Name	Tag	Type	Usage
Specific Character Set	0008, 0005	1C	The default DICOM character set and optional set ISO-IR 100 (Latin I) are supported. See Section A.7 for details.
Patient Name	0010, 0010	2	Displayed to help the user identify the patient folder in which to place the studies for this patient.
Patient ID	0010, 0020	1	Displayed to help the user identify the patient folder in which to place the studies for this patient.

Table 31: Specific Usage of Patient Directory Record Information

3.2.2.5.2 Study Directory Record

Context: Expansion of Headings and sub-headings

- HD11 as a Media Storage Application
 - Real-World Activities
 - Reading a DICOM study from removable media
 - Directory Information Module
 - Study Directory Record

Attribute Name	Tag	Type	Usage
Specific Character Set	0008, 0005	1C	The Default DICOM character set and optional set ISO-IR 100 (Latin 1) are supported. See Section A.7 for details.
Study Date	0008, 0020	1	Used in displaying list of studies to user
Study Time	0008, 0030	1	Used in displaying list of studies to user
Accession Number	0008, 0050	2	Stored in the system database
Study Description	0008, 1030	2	Generated
Study Instance UID	0020, 000D	1C	Stored in the system database
Study ID	0020, 0010	1	Stored in the system database

Table 32: Specific Usage of Study Directory Record Information

3.2.2.5.2.1 Series Directory Record

Context: Expansion of Headings and sub-headings

- HD11 as a Media Storage Application
 - Real-World Activities
 - Reading a DICOM study from removable media
 - Directory Information Module
 - Series Directory Record

Attribute Name	Tag	Type	Usage
Specific Character Set	0008, 0005	1C	The default DICOM character set and optional set ISO-IR 100 (Latin I) are supported. See Section A.7 for details.
Modality	0008, 0060	1	Only US is supported. Other modalities are ignored.
Series Instance UID	0020, 000E	1	Unique identifier of the Series.
Series Number	0020, 0011	1	Stored
Series Description	0008, 103E	3	Stored

Table 33: Specific Usage of Series Directory Record Information

3.2.2.5.2.2 Image Directory Record

Context: Expansion of Headings and sub-headings

- HD11 as a Media Storage Application
 - Real-World Activities
 - Reading a DICOM study from removable media
 - Directory Information Module
 - Image Directory Record

Attribute Name	Tag	Type	Usage
Specific Character Set	0008, 0005	IC	The default DICOM character set and optional set ISO-IR 100 (Latin I) are supported. See Section A.7 for details.
Instance Number	0020, 0013	I	Used
Referenced File ID	0004, 1500	IC	Used
Referenced SOP Class UID in File	0004, 1510	IC	Used
Referenced SOP UID in File	0004, 1511	IC	Used
Referenced Transfer Syntax UID in File	0004, 1512	IC	Used
Content Date	0008, 0023	3	Used for ordering the thumbnail display. On Export, comes from the image.
Content Time	0008, 0033	3	Used for ordering the thumbnail display. On Export, comes from the image.

Table 34: Specific Usage of Image Directory Record Information

4. Communications Profiles

HD11 provides DICOM V3.0 TCP/IP Network Communication Support as defined in Part 8 of the DICOM Standard.

5. Extensions/Specializations/Privatizations

5.1 General

Context: Expansion of Headings and sub-headings

- Extensions/Specializations/Privatizations
 - General

The following private tag is used by HD11 to indicate a private group:

Tag	VR	Value
0031, 0060	LO	"Eclipse 60"

The following private tag is used by HD11's display compensation application:

Tag	VR	Value
0031, 6030	UL	Private data

The following private tag is used by HD11 as part of the algorithm that determines when to add the pixel spacing tag:

Tag	VR	Value
0031, 6031	UL	Private data

5.2 2D

Context: Expansion of Headings and sub-headings

- Extensions/Specializations/Privatizations
 - 2D

The Pixel Spacing tag is added to the exported DICOM file when the user has configured this tag to be included and the image contains only one 2D calibration region and no Doppler or M-Mode calibration regions.

Contains the Pixel Spacing tag: 2D still, 2D loop, 2D color still, 2D color loop, MMode Preview Still, PW Preview Still, CW Preview still, Dual with same calibration on both images.

Does NOT contain the Pixel Spacing tag: MMode live trace, MMode frozen trace, PW live trace, PW Frozen trace, CW live trace, CW frozen trace, Reports, Panview, 3D/4D, dual images with different calibration on each image.

Attribute Name	Tag	Type VR		Description	Generated by		Value
					Usr	Sys	
Pixel Spacing	0028, 0030	I	DS	Physical distance in the patient between the center of each pixel, specified by a numeric pair – adjacent row spacing (delimiter) adjacent column spacing (in mm).		✓	Adjacent row spacing \ Adjacent column spacing (in mm)

5.3 PanView

Context: Expansion of Headings and sub-headings

- Extensions/Specializations/Privatizations
 - PanView

PanView image files contain the following private tags for use by HD11's PanView application:

Tag	VR	Value
7777, 0010	LO	Private data
7777, 1001	DA	Private data
7777, 1002	CS	Private data
7777, 1003	LO	Private data
7777, 1014	LT	Private data

5.4 QLAB / 3D

QLAB is a stand-alone software product that provides advanced off-line ultrasound quantification capabilities. The user can use QLAB to review and quantify HD11 images. The HD11 user exports images in DICOM format to media in order to 'sneaker-net' those images to a PC running the QLAB software or can send the images to QLAB (as a Storage SCP) across the network. QLAB 4.2.1 will be the first release to support all HD11 DICOM image formats.

Parts of QLAB require additional information that can only be encoded in DICOM private tags.

The following private tags are used by HD11 to support the QLAB application and 3D images:

Note: Not all private tags are used all the time,

DICOM Tag	VR	Value
0029, 0060	LO	Private data
0029, 6050	CS	Private data
0029, 6051	UL	Private data
0029, 6052	UL	Private data
0029, 6053	DS	Private data
0029, 6054	UL	Private data
0029, 6055	UL	Private data
0029, 6056	UL	Private data
0029, 6030	UL	Private data
0029, 6031	UL	Private data
0029, 6032	UL	Private data
0029, 6033	DS	Private data
0029, 6034	DS	Private data
0029, 6036	SL	Private data
200d, 0030	LO	Private data
200d, 0031	LO	Private data
200d, 0032	LO	Private data
200d, 0033	LO	Private data
200d, 0034	LO	Private data
200d, 0035	LO	Private data
200d, 0036	LO	Private data
200d, 0037	LO	Private data
200d, 0038	LO	Private data
200d, 0039	LO	Private data
200d, 003a	LO	Private data
200d, 3001	LO	Private data
200d, 300b	OB	Private data
200d, 3012	OB	Private data
200d, 3101	LO	Private data
200d, 3102	LO	Private data
200d, 3103	LO	Private data
200d, 3104	LO	Private data

DICOM Tag	VR	Value
200d, 3105	LO	Private data
200d, 3106	LO	Private data
200d, 3107	LO	Private data
200d, 3108	LO	Private data
200d, 3201	LO	Private data
200d, 3202	LO	Private data
200d, 3203	LO	Private data
200d, 3204	LO	Private data
200d, 3205	LO	Private data
200d, 3301	LO	Private data
200d, 3302	LO	Private data
200d, 3303	LO	Private data
200d, 3304	LO	Private data
200d, 3305	LO	Private data
200d, 3306	LO	Private data
200d, 3307	LO	Private data
200d, 3308	LO	Private data
200d, 3309	LO	Private data
200d, 330a	IS	Private data
200d, 3401	CS	Private data
200d, 3402	CS	Private data
200d, 3403	CS	Private data
200d, 3404	IS	Private data
200d, 3405	IS	Private data
200d, 3406	FD	Private data
200d, 3407	FD	Private data
200d, 3408	IS	Private data
200d, 3409	IS	Private data
200d, 340a	IS	Private data
200d, 340b	IS	Private data
200d, 340c	IS	Private data
200d, 340d	UL	Private data

DICOM Tag	VR	Value
200d, 340e	IS	Private data
200d, 340f	IS	Private data
200d, 3a10	IS	Private data
200d, 3a11	IS	Private data
200d, 3a1a	IS	Private data
200d, 3a1b	IS	Private data
200d, 3a27	FD	Private data
200d, 3a28	FD	Private data
200d, 3a32	FD	Private data
200d, 3a50	CS	Private data
200d, 3a51	CS	Private data
200d, 3a52	IS	Private data

DICOM Tag	VR	Value
200d, 3a53	CS	Private data
200d, 3a54	CS	Private data
200d, 3a55	FD	Private data
200d, 3a56	FD	Private data
200d, 3a57	FD	Private data
200d, 3a58	IS	Private data
200d, 3a59	FD	Private data
200d, 3a5a	FD	Private data
200d, 3a5d	CS	Private data
200d, 3a5e	CS	Private data
200d, 3aff	IS	Private data

6. Configuration

The DICOM setup screen allows the user to configure a significant number of options including (but not limited to):

- For the HD11 system, it's AE Title and Port number, IP address.
- For DICOM servers, their AE Title, port number, IP address.
- For Storage SCP's and for media storage, the image format (including Monochrome, Palette color and YBR/JPEG), loop timing, pixel spacing, display compensation.
- For DICOM Printers, many DICOM configuration settings
- For a MWL server, the query parameters: scheduled procedure start range, modality, AE Title.

7. Support for Extended Character Sets

HD11 will offer support for Japanese, Chinese, and Russian. This includes translating system text into these languages and allowing the user to input Japanese, Chinese, and Cyrillic characters into the system. One important aspect of this is that the user will be able to enter these special characters into the Patient ID screen.

The present DICOM standard allows Code Extension Techniques for multi-byte characters. Therefore, as well as the default character set (ISO-IR 6), HD11 supports the following extended character sets:

- ISO-IR 100 Latin Alphabet No. 1
- ISO-IR 87 Japanese Kanji (ideographic), Hiragana (phonetic) and Katakana (phonetic)
- ISO-IR 13 Japanese Katakana (phonetic)
- ISO-IR 159 Supplementary Kanji (ideographic)
- ISO-IR 144 Russian Cyrillic

Important Note:

When an Application Entity which does not support Code Extension Techniques receives a Data Set which includes multi-byte characters from an HD11 system, misrepresentation of characters may occur.

The DICOM standard states that it is the responsibility of the Application Entity which receives the Data Sets to take whatever action is considered necessary to minimize the effect of misrepresented characters. It is not the responsibility of the HD11 system to take such action.

7.1 Support for Russian and Japanese Markets

HD11 uses "Code-extension techniques" to encode Japanese stroke based characters and Russian Cyrillic characters in DICOM tags with value representations of SH, LO, ST, LT, UT, and PN.

The technique requires two things in a DICOM file that contains these characters:

1. Add the Optional Specific Character Set TAG (0008,0005) and set the value to the list of identifiers for all the non-standard character sets that will appear in any string in the file separated by backslashes. For example:

For Japanese systems:

(0008,0005) = "ISO 2022 IR 13\ISO 2022 IR 87\ISO 2022 IR 159\ISO 2022 IR 100"

For Russian systems:

(0008,0005) = "ISO 2022 IR 144\ISO 2022 IR 100"

For English systems:

(0008,0005) = "ISO 2022 IR 100"

2. Embed escape sequences in the strings that contain Asian or Cyrillic characters to cause the DICOM interpreting code to switch from one character set to another.

The escape sequences to be used are defined as:

"<ESC>\$B"	ISO - IR 87 Japanese Kanji (ideographic), Hiragana (phonetic), Katakana (phonetic)
"<ESC>(B"	ISO - IR 6 ASCII - DICOM default character set
"<ESC>\$(D"	ISO - IR 159 Supplementary Kanji (ideographic)
"<ESC>(J"	ISO - IR 144 Russian Cyrillic

7.2 Additional Support for Japanese Markets

Japanese markets will have additional fields to the Patient ID screen so that the user can enter the Roman, Ideographic, and Phonetic representations of a patient's name.

The DICOM patient name field, tag (0010,0010) of type PN, is a single string field that contains up to five components (last, first, middle, title, honorific) in up to three language variants (Roman, Ideographic, and Phonetic.) The format of the patient name field is:

```

"Roman-last^Roman-first^Roman-middle^Roman-prefix^Roman-suffix=
Ideographic-last^Ideographic-first^Ideographic-middle^Ideographic-prefix^Ideographic-suffix=
Phonetic-last^Phonetic-first^Phonetic-middle^Phonetic-prefix^Phonetic-suffix"

```

In the above string the five components are separated with the '^' Ascii character and the three language variants are separated by the '=' Ascii character. The only required

component is the Roman Last name. All other components are optional. Trailing ‘^’ and ‘=’ characters can be excluded.

When this string is encoded in a DICOM image file or DICOMDIR directory file, the escape sequences appropriate for the character sets used are inserted into the string for storage as a single-byte string. On media import the escape sequences are removed.

7.3 Support for Chinese Markets

The current DICOM standard as of this release of HD11 does not support Chinese character sets. HD11 however provides support for Chinese customers so that they can enter text using Chinese characters.

If the system is set up for Chinese, then (unlike for Japanese markets) the user can enter just one version of the patient name. This would make Chinese systems work in the same way as Russian, English, French, Italian, and Spanish systems. The Chinese user will be able to enter the patient name using a combination of Chinese and Roman characters – all of the characters will appear wherever the system displays the patient name (image, report, Search for Study window, etc.).

Since the DICOM Standard does not offer support for Chinese characters, all Chinese characters entered into the Patient ID screen will be lost if a user exports or backs up a study to media. This will be noticed when the study is imported back into the system; upon import, each Chinese character will be replaced with a question mark (“?”) character. The question marks will make it obvious to the user that the characters were lost.

If the user enters a patient name that consists entirely of Chinese characters, then the name will come back as “?????”. In this case, the user will have to identify the study in the “Import Study” and “Search for Study” windows by the MRN. If the user enters a patient name that consists of a combination of Roman and Chinese characters, then Roman characters will be preserved, and the name will come back as something like “Lee ??????”. This will give users who like to back up their studies the flexibility of entering a patient name with a combination of Roman and Chinese characters, and have at least part of the name come back during import.

Note that the original Chinese name will be “burned into” study images that are exported to media. These Chinese characters will remain on the images when the studies are imported back into the system.

End of Document