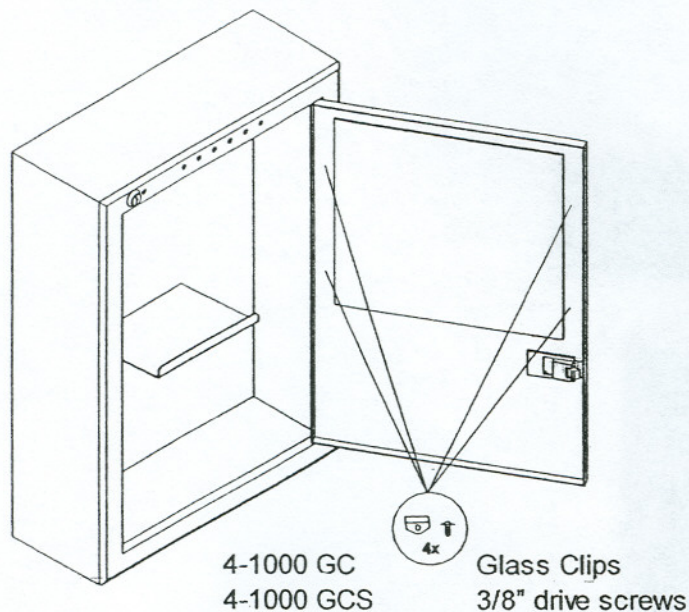


# HEARTSTREAM AED

## Cabinet Glass

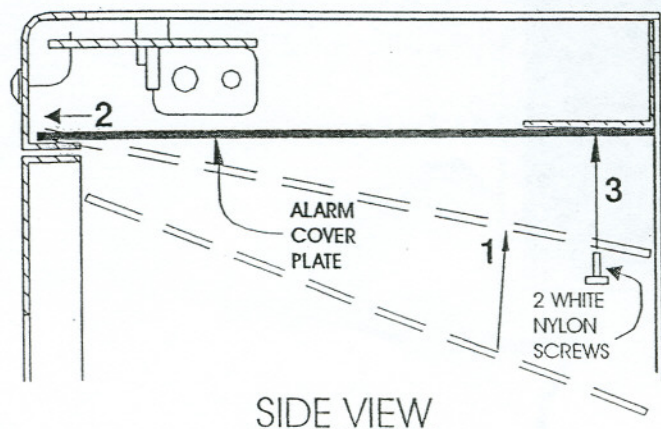
### Installation Instructions



#### Glass Installation:

1. Be sure alarm is off.
2. Open cabinet door.
3. Position glass in channel along inside bottom of window, and center.
4. Position clip, as shown in drawing, to align hole in clip with hole in door.
5. Place screw through hole in clip, until it enters hole in door.
6. Using a Phillips screwdriver, tighten screw.
7. Repeat with all brackets and screws. (4)

#### Alarm Cover Installation



### ALARM OPERATING INSTRUCTIONS

1. Install the batteries and the alarm cover, as described on the label inside of the cabinet.
2. Place the defibrillator unit in the cabinet; close the door.
3. Turn the key switch to the ON (3 o'clock) position, to arm the alarm.
4. When the cabinet door is opened, the siren will sound for 30 seconds, and the lights will flash. Even if the door is then closed, the lights will continue flashing, and the siren will chirp every 10 seconds.
5. The flashing and chirping will continue until someone with a key turns the key switch to the OFF (12 o'clock) position.
6. To RE-ARM: Close the cabinet door. Leave the switch in the OFF position for three seconds before turning the switch to ON, which re-arms the alarm unit.

NOTE: The "low battery warning" indicator will chirp every 10 seconds, when the batteries fall below the working level. We recommend yearly replacement of the batteries. Alkaline Energizer Titanium batteries are best for long term operation.

**POTTER  
ROEMER**  
SAVING LIVES/SAVING ENERGY