

Recycling Passport

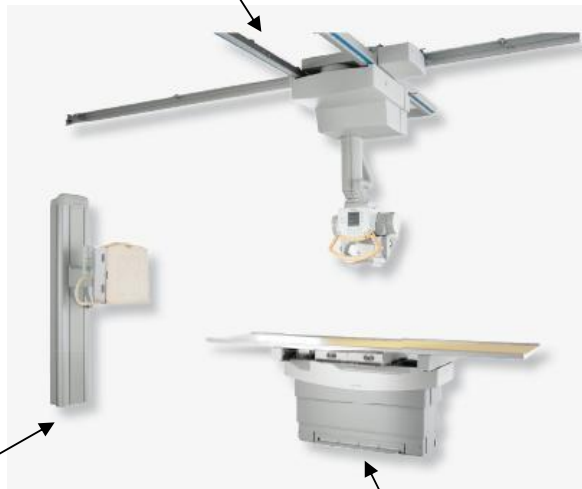
Product name:	DigitalDiagnost System	
Identification code	9890-010-83902	
Order No.		
Device Type	B2B (Business to business)	
Producer /Manufacturer	Company name:	Philips Medical Systems DMC GmbH
	Address:	Roentgenstrasse 24
	Zip code:	22335 Hamburg
	Country:	Germany
	Web info:	See Philips Intranet
Total weight (in Kg) thereof		

No System Recycling Passport available.

Only the Recycling Passport for the Sub-Systems are available.

Printed copies are uncontrolled documents

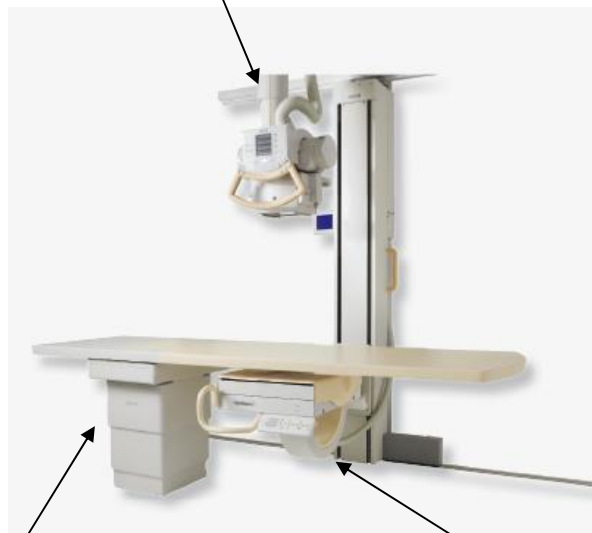
BuckyDiagnost CS 9890-010-06522



BuckyDiagnost VS 9890-010-83641

DigitalDiagnost TH2/TF 9848-600-02222

BuckyDiagnost CS 9890-010-06522



DigitalDiagnost THS 9890-010-84301

DigitalDiagnost VM 9890-010-82662

Recycling Passport

Userstation for DigitalDiagnost



Batteries Type lithium to be removed



Userstation tower is not on the picture

Option: Docking Station
4512-201-06851

&

Portable Detektor
9890-010-87751



Printed copies are
uncontrolled documents

Sub-System

X-Ray Tube

see area X-Ray Tubes

X-Ray Generator Cabinet

see area X- Generators