
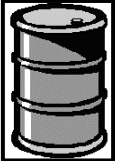




Product name:	NICO and NICO₂	
Identification code(s)	Models 7300 and 7600	
Total weight (in Kg)	4.3 Kg	
Producer/ Manufacturer	Name company:	Respironics California, Inc.
	Address:	2271 Cosmos Court, CA
	Zip code:	92011
	Country:	United States of America

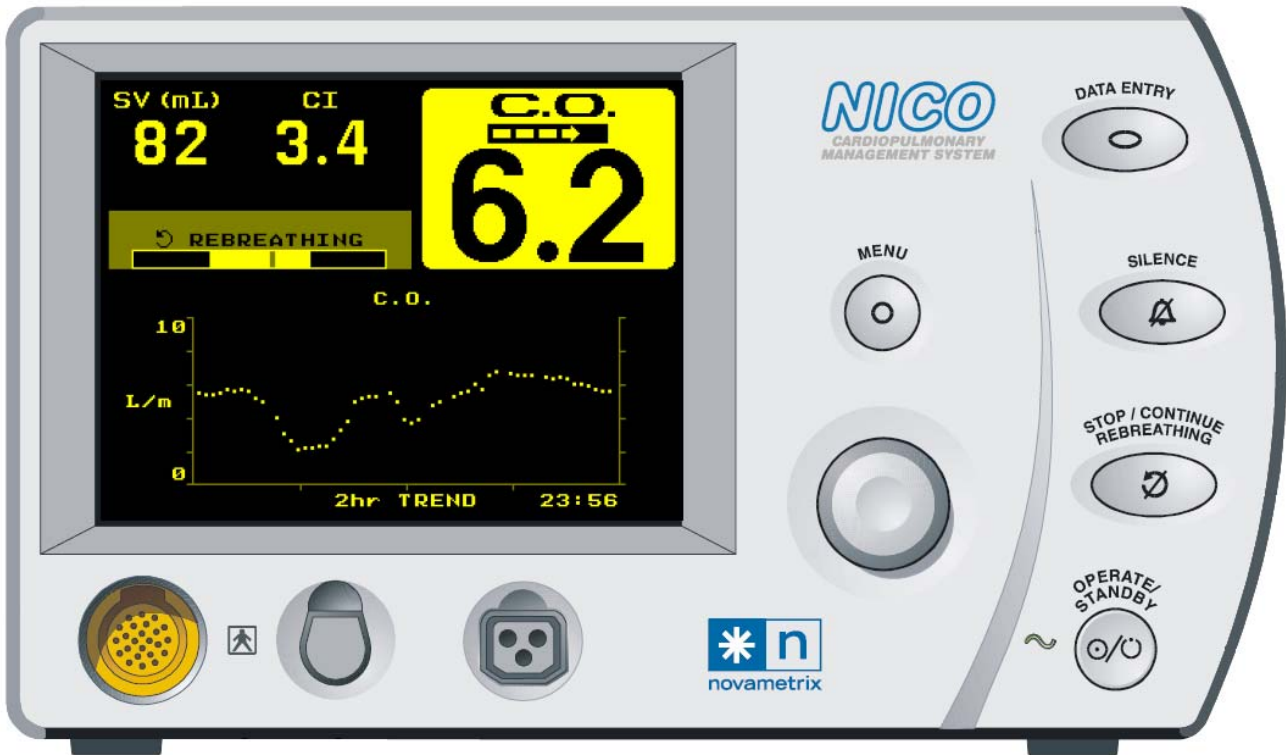
Recycle Info	Items:	Location
	Disinfect device prior to handling	Figures 1 and 2
	Remove case screws to remove top and bottom case halves.	Figure 3
	Note: Lead Solder used throughout the product.	
Fluids / Gases 	Items:	Location
	None	
Batteries 	Type:	Location
	Lead Acid	Figure 4, Location 3
To be Removed		
Hazardous 	Substances:	Location
	PCB – Key Panel (lead solder)	Figure 4, Location 1
	PCB – Display Board (lead solder) (Mercury in Florescent Back Light)	Figure 4, Location 2
	PCB – Power Board (lead solder)	Figure 5, Location 1
	PCB – Digital Board (lead solder)	Figure 5, Location 2
	PCB – Power Supply (lead solder)	Figure 5, Location 3
	PCB – Analog Board (lead solder)	Figure 5, Location 4
To be Removed		

Passport Number	Version	Author	ECO	Signature/Date
1024045MC10	A	Patrick Freeman	5-14745	EDMS

Printed copies are uncontrolled

Printed copies are uncontrolled

Figure 1 Model 7300 – NICO



Printed copies are uncontrolled

Figure 2 Model 7600 – NICO₂

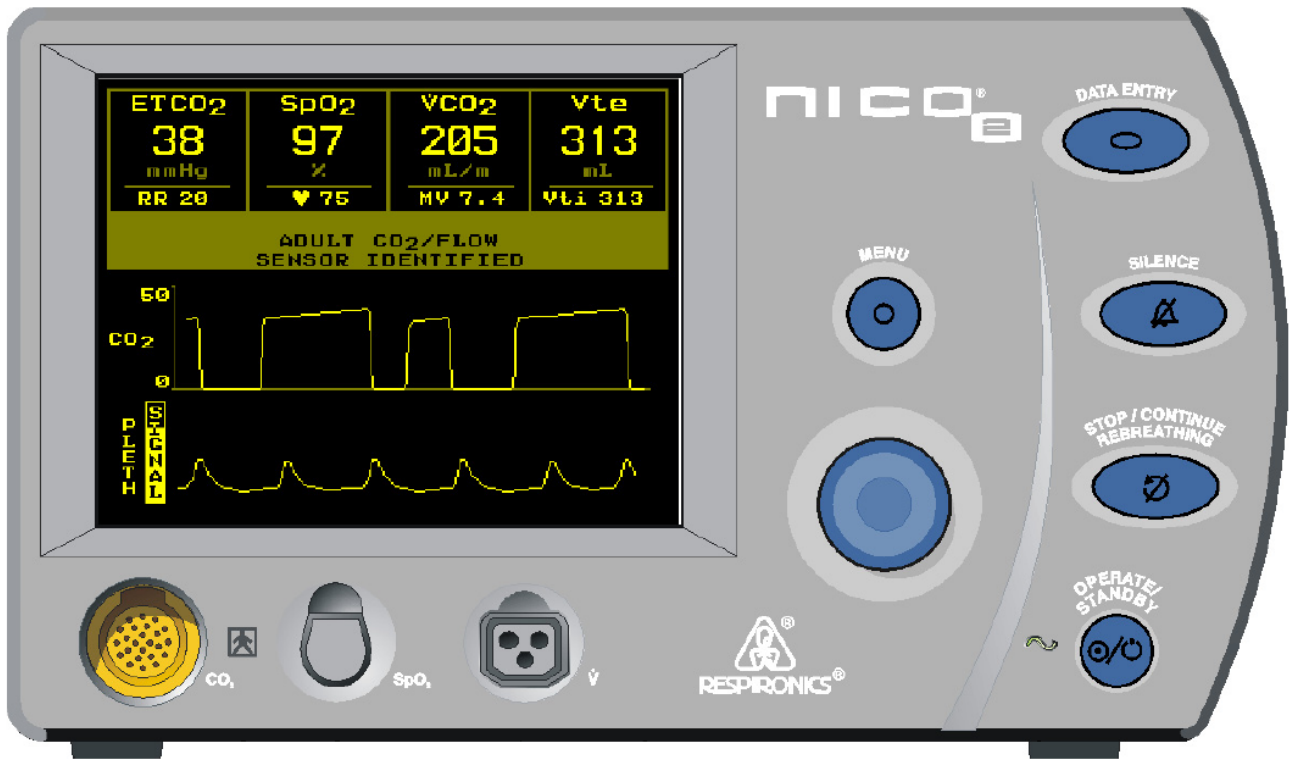
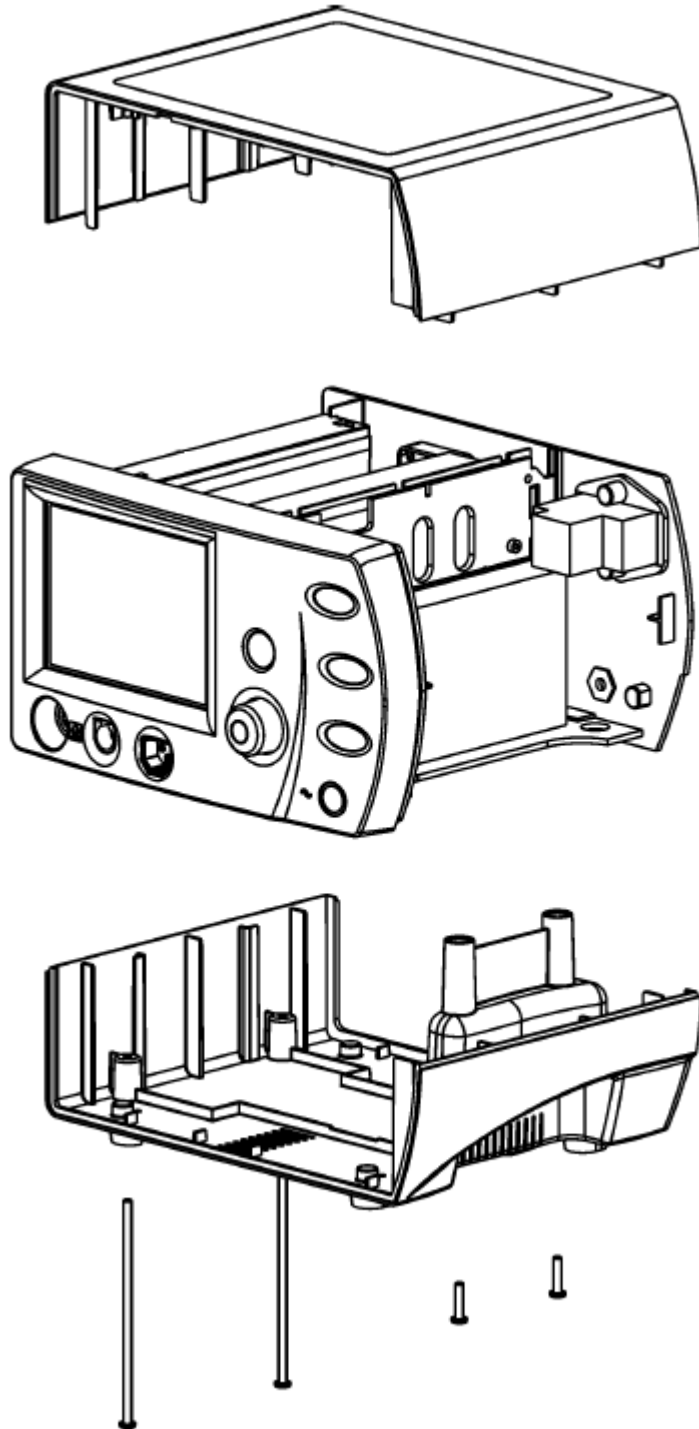
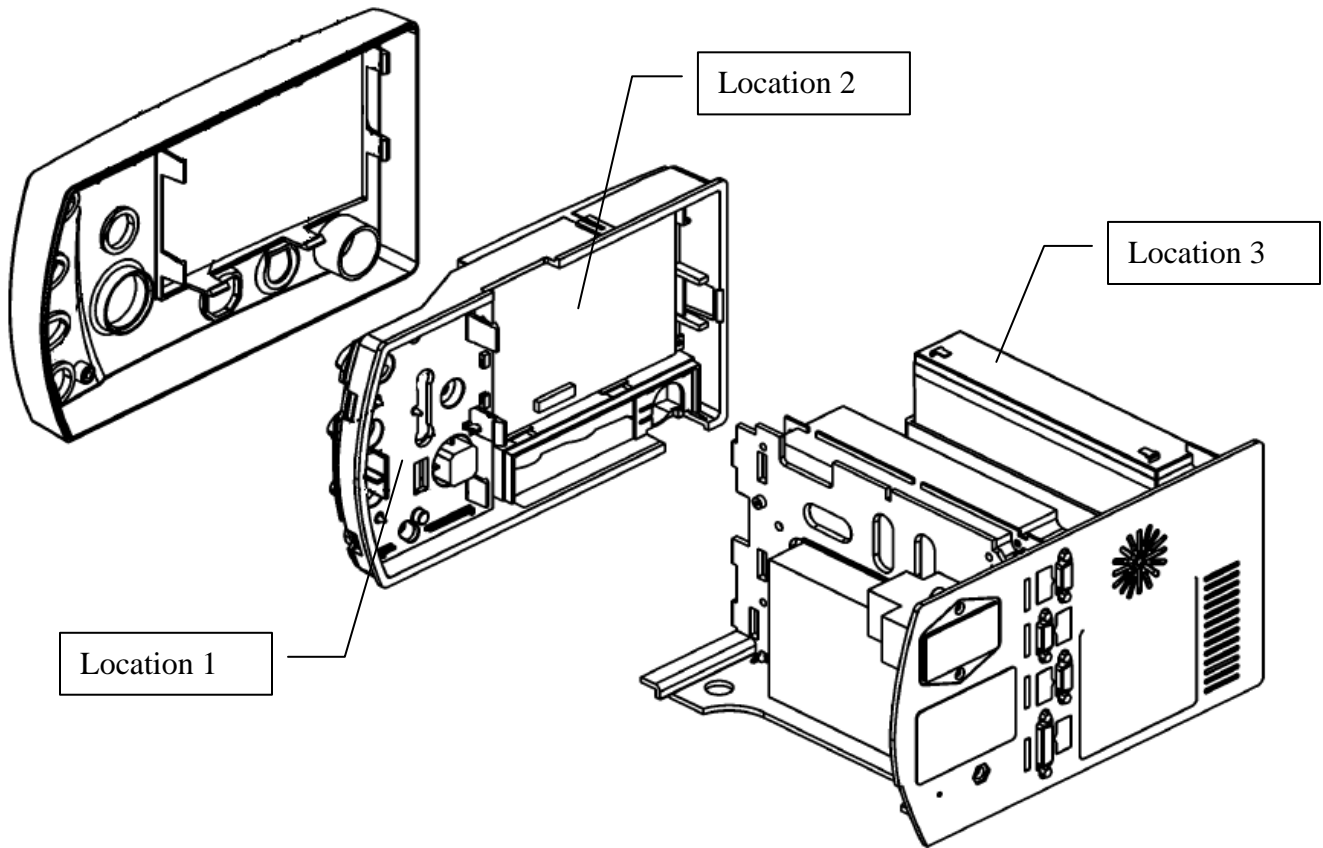


Figure 3



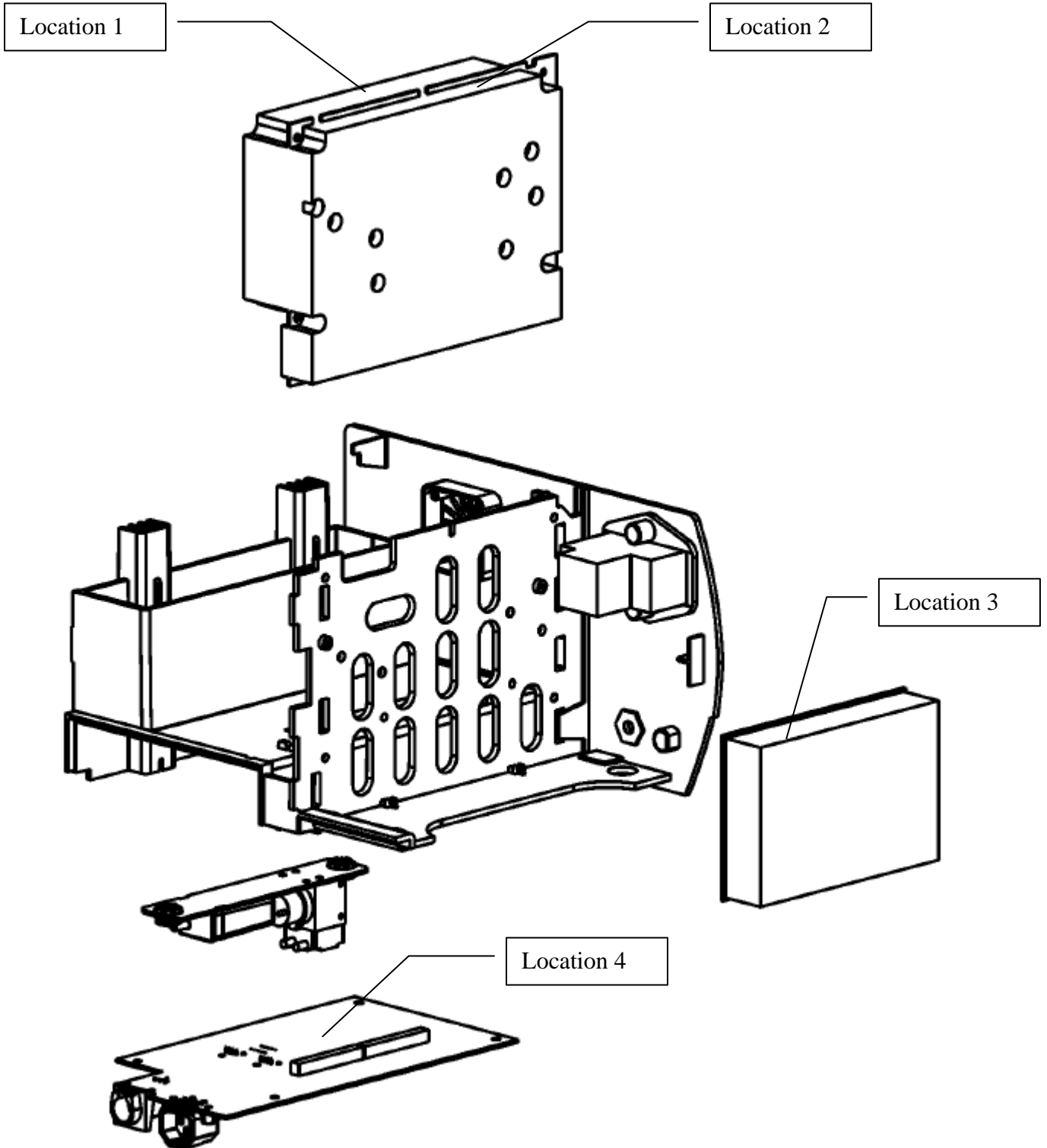
Printed copies are uncontrolled

Figure 4 Typical (Model 7300 shown)



Printed copies are uncontrolled

Figure 5



Printed copies are uncontrolled