
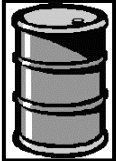




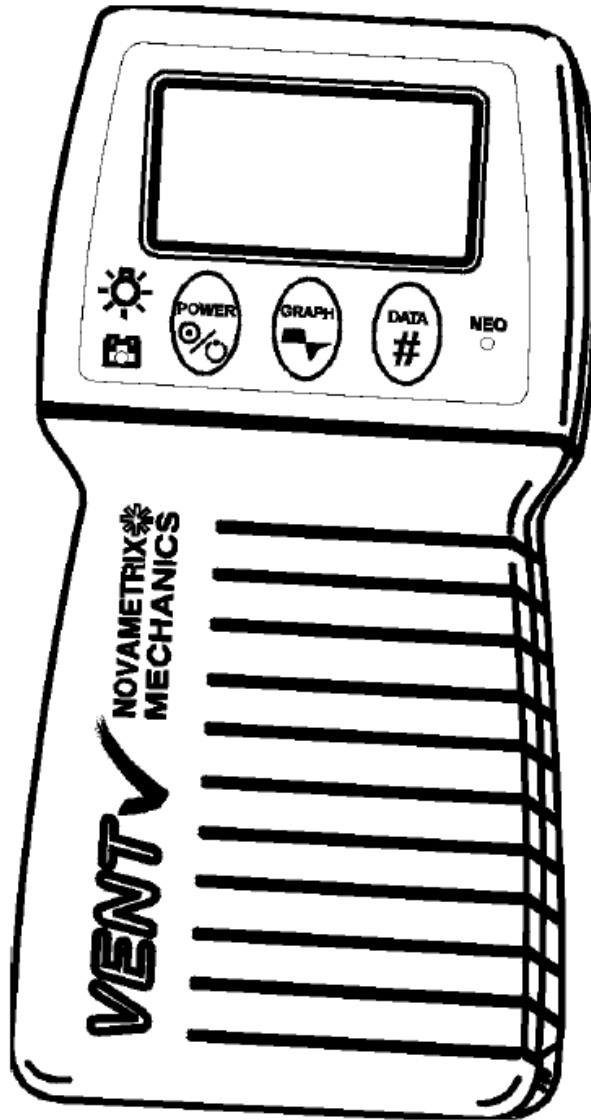
|                                   |  |                                 |
|-----------------------------------|--|---------------------------------|
| <b>Product name:</b>              | <b>Vent Check</b>                            |                                 |
| <b>Identification code(s)</b>     | <b>Model 101</b>                             |                                 |
| <b>Total weight (in Kg)</b>       | <b>.71 Kg with Rechargeable NiMH Battery</b> |                                 |
| <b>Producer/<br/>Manufacturer</b> | Name company:                                | Respironics California, Inc.    |
|                                   | Address:                                     | 2771 Cosmos Court, Carlsbad, CA |
|                                   | Zip code:                                    | 92011                           |
|                                   | Country:                                     | United States of America        |

| <b>Recycle Info</b>   | <b>Items:</b>                         | <b>Location</b>      |
|---|---------------------------------------|----------------------|
| <br><b>Special attention</b> | Disinfect device prior to handling    | Figure 1             |
|   |                                       |                      |
|   |                                       |                      |
|   |                                       |                      |
|   |                                       |                      |
| <br><b>Fluids / Gases</b>   | <b>Items:</b>                         | <b>Location</b>      |
|   | None                                  |                      |
|   |                                       |                      |
|   |                                       |                      |
|   |                                       |                      |
| <br><b>Batteries</b>       | <b>Type:</b>                          | <b>Location</b>      |
|   | AA Lithium Batteries (x7) Optional    | Figure 2, Location 1 |
|   | NiMH Battery (x1) Optional            | Figure 2, Location 2 |
|   |                                       |                      |
|   |                                       |                      |
| <br><b>To be Removed</b>   | <b>Substances:</b>                    | <b>Location</b>      |
|   | PCB - Main board (lead solder)        | Figure 4, Location 1 |
|   | PCB - Interface Board (lead solder)   | Figure 5, Location 1 |
|   | PCB - LCD Display Board (lead solder) | Figure 6, Location 1 |
|   |                                       |                      |

| Passport Number | Version | Author          | ECO     | Signature/Date |
|-----------------|---------|-----------------|---------|----------------|
| 1017330MC5      | A       | Patrick Freeman | 5-13117 | EDMS           |

Printed copies are uncontrolled

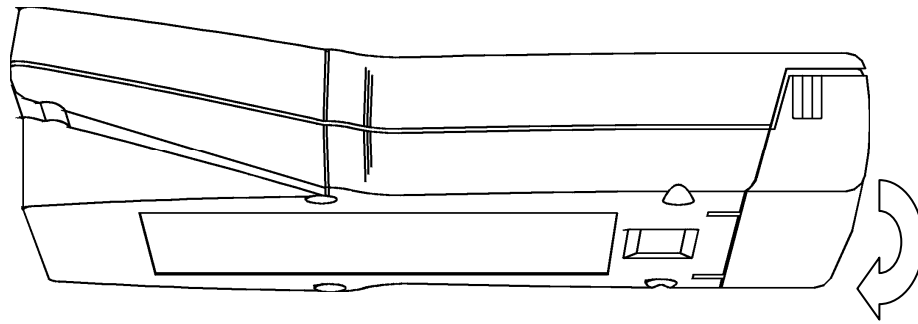
Figure 1 Vent Check Model 101



Printed copies are uncontrolled

Printed copies are uncontrolled

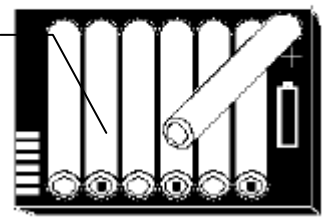
Figure 2 Battery Location and Options



Standard  
AA lithium batteries  
(7 ea. - disposable)

Optional  
Rechargeable battery,  
(NiMH 7.2 vdc)

Location 1



Location 2

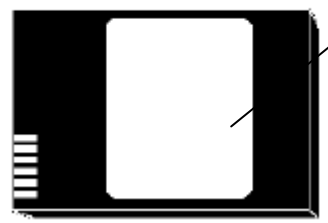


Figure 3 Rear Panel

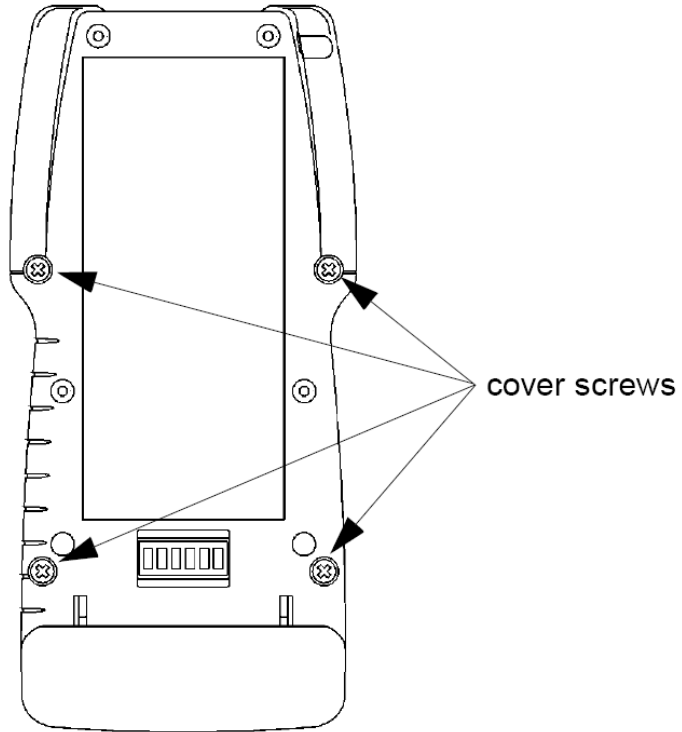
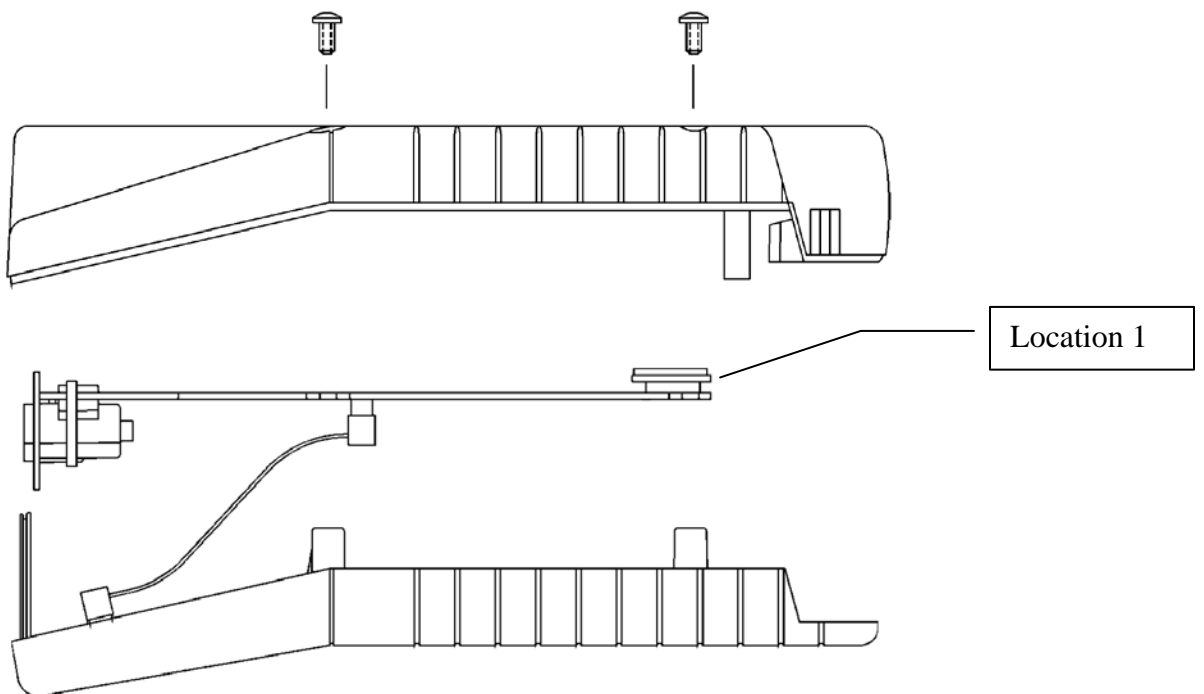


Figure 4 Side View



Printed copies are uncontrolled

Figure 5 Interface Board

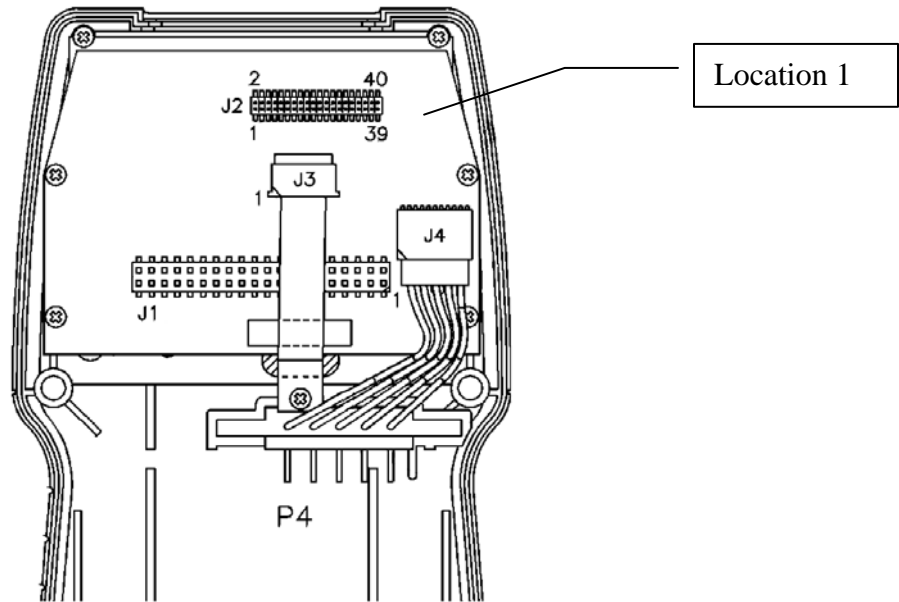
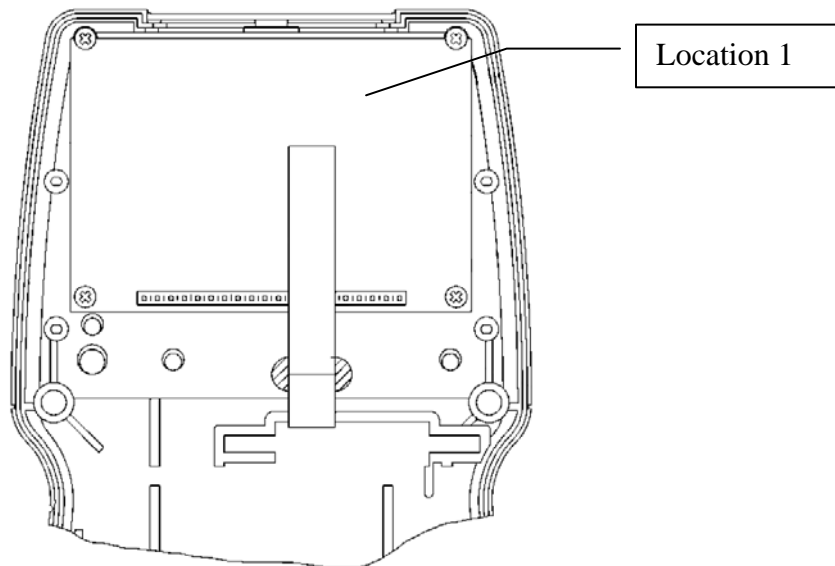


Figure 6 Display Board



Printed copies are uncontrolled