
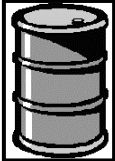




Product name:	Tidal Wave	
Identification code(s)	Models 610, 615, 710, 715	
Total weight (in Kg)	.86 Kg (Model 715 with NiMH battery option)	
Producer/ Manufacturer	Name company:	Respironics Novamatrix, LLC
	Address:	5 Technology Drive Wallingford CT
	Zip code:	06492
	Country:	United States of America

Recycle Info	Items:	Location
	Disinfect device prior to handling	Figures 1 – 4, 10
Fluids / Gases 	Items: None	Location N/A
Batteries 	Type: AA Lithium Batteries (x7) Optional	Figure 5, Location 1
	NiMH Battery (x1) Optional	Figure 5, Location 2
	3 Volt Lithium Battery (615/710/715 Only)	Figure 7, Location 2
	3 Volt Lithium Battery (610 Only)	Figure 7, Location 3
To be Removed		
Hazardous 	Substances: PCB - Main board (lead solder)	Figure 7, Location 1
	PCB - CO2 Sensor Board (lead solder)	Figure 8, Location 1
	PCB - LCD Display Board (lead solder)	Figure 9, Location 1
	PCB – Base Station Main Board (lead solder)	Figure 11, Location 1
	Power Supply (lead solder)	Figure 12, Location 1
To be Removed		

Passport Number	Version	Author	ECO	Signature/Date
1016112MC5	A	Patrick Freeman	5-13117	EDMS

Printed copies are uncontrolled

Printed copies are uncontrolled

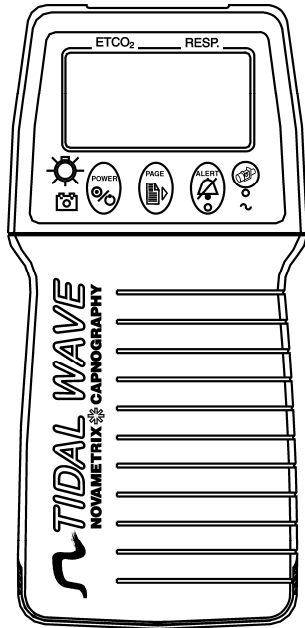
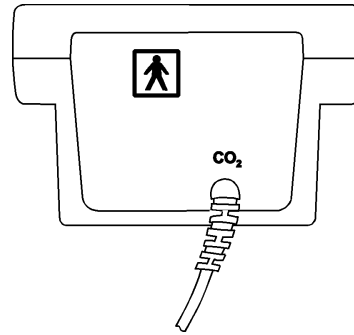


Figure 1 Model 610 Front View



Model 610 End View

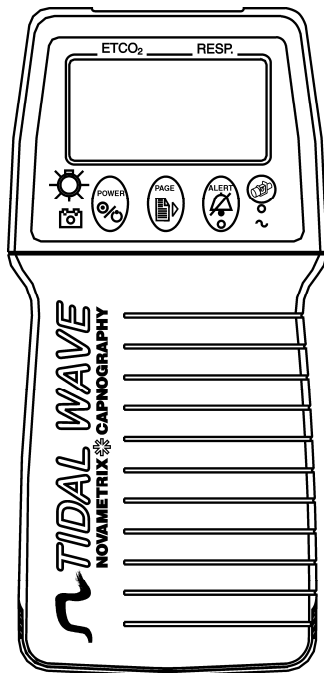
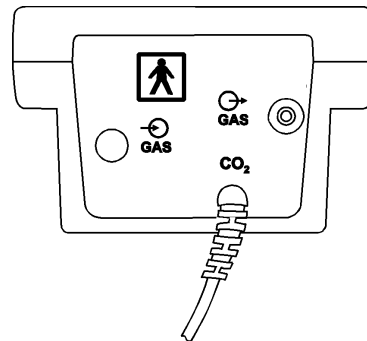


Figure 2 Model 615 Front View



Model 615 End View

Printed copies are uncontrolled

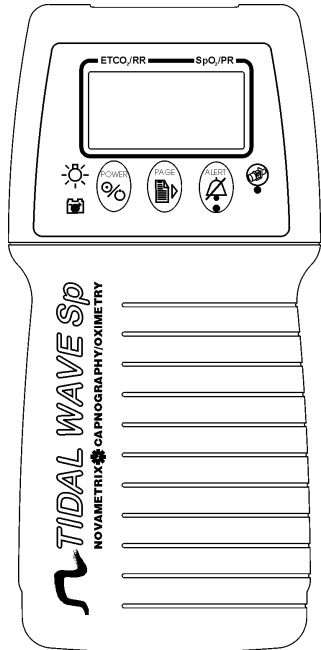
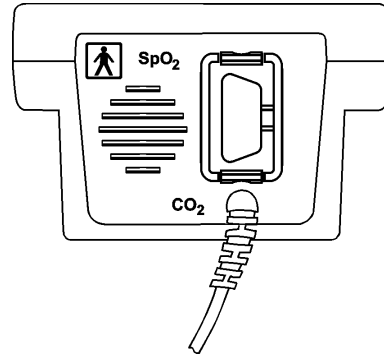


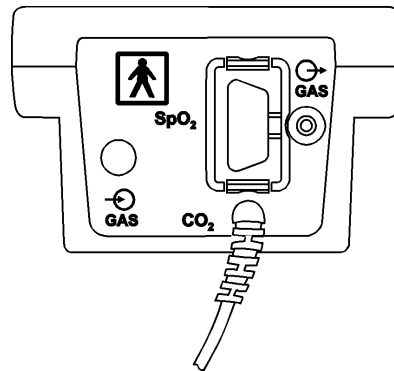
Figure 3 Model 710 Front View



Model 710 End View



Figure 4 Model 715 Front View



Model 715 End View

Printed copies are uncontrolled

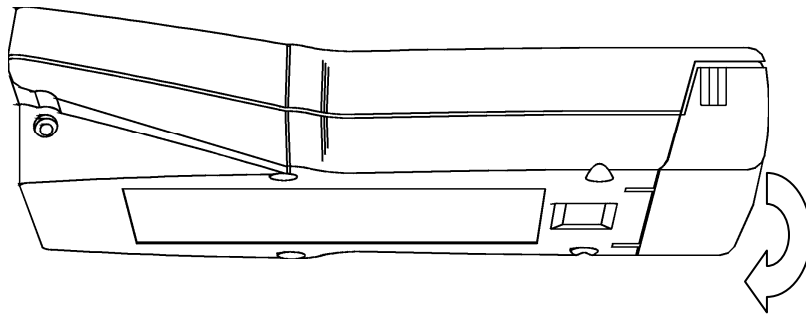


Figure 5

Battery Location and Options

Printed copies are uncontrolled

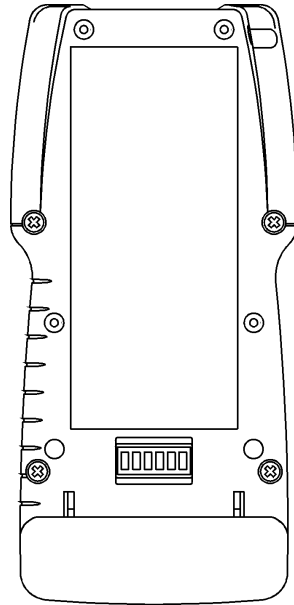


Figure 6

Rear Panel (all models)

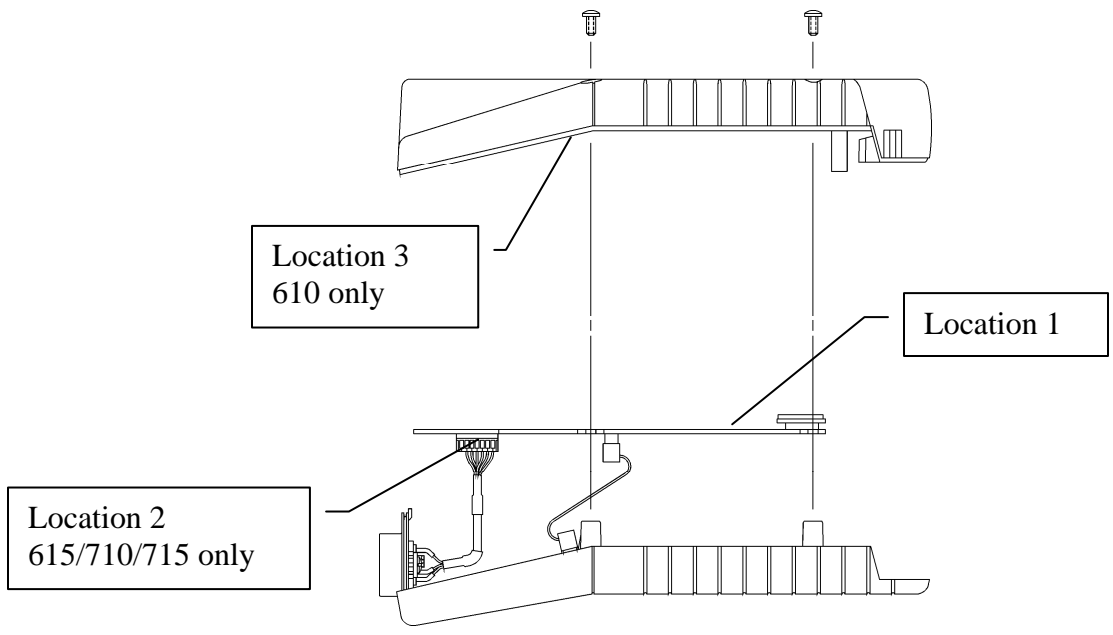


Figure 7

Side view

Printed copies are uncontrolled

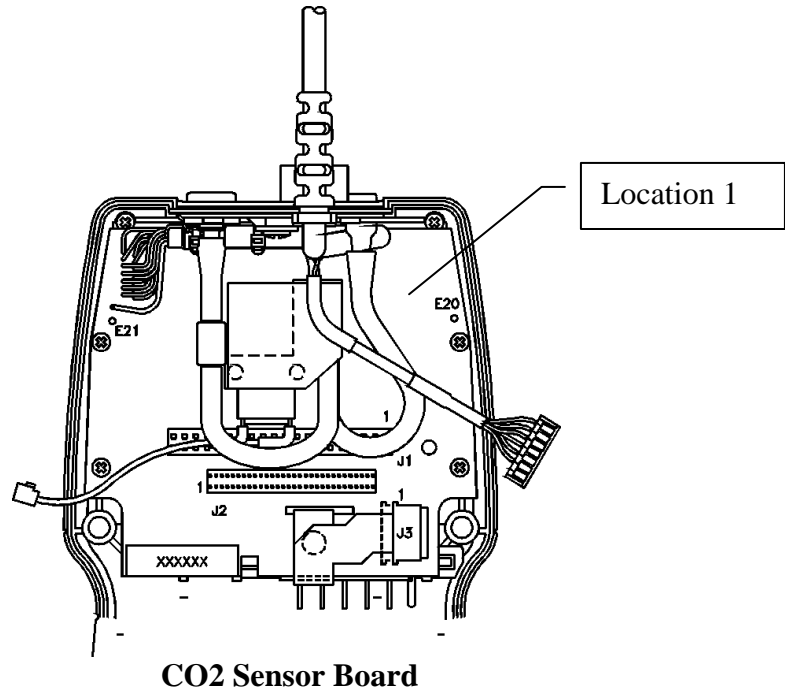


Figure 8

CO2 Sensor Board

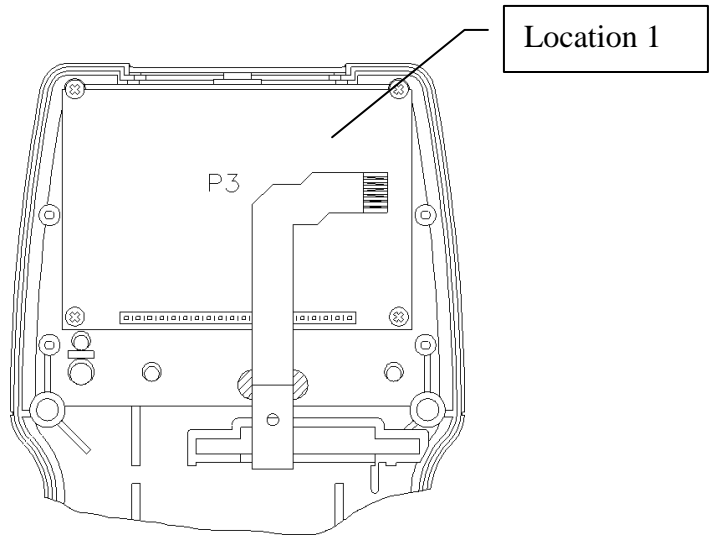


Figure 9

LCD Display Board

Show locations of materials mentioned on the previous sheet. (Picture information)

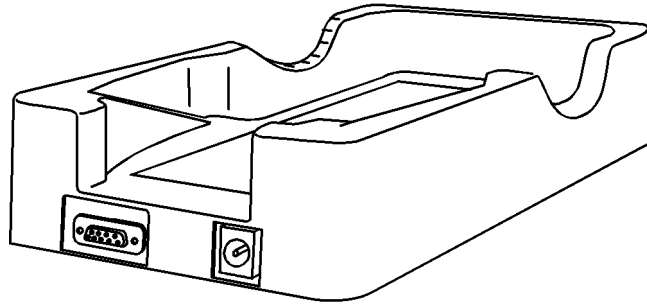


Figure 10

Base Station

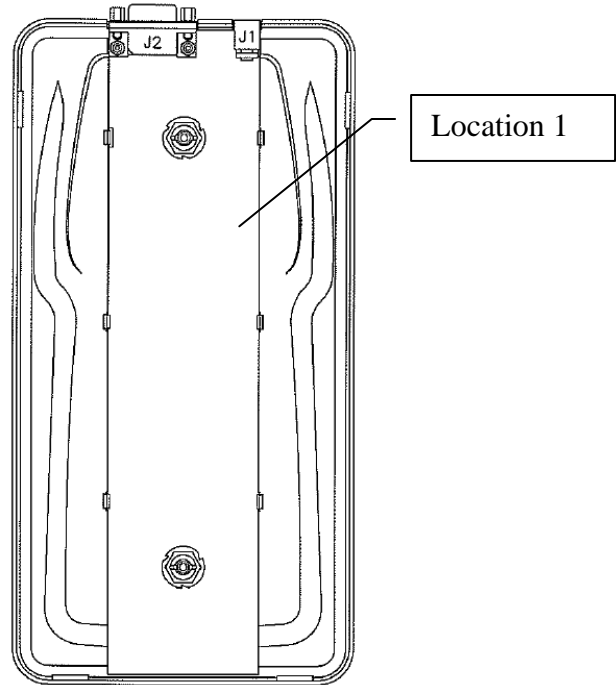
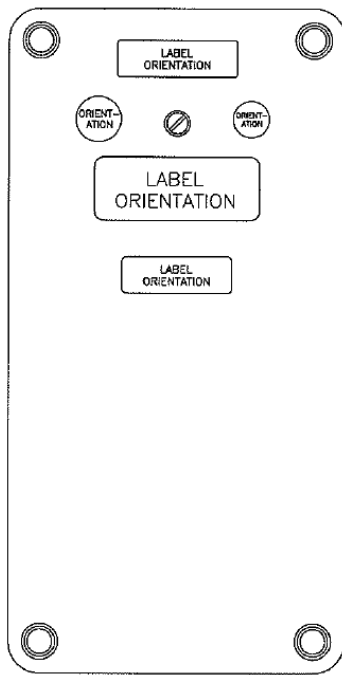


Figure 11

Bottom

Printed copies are uncontrolled

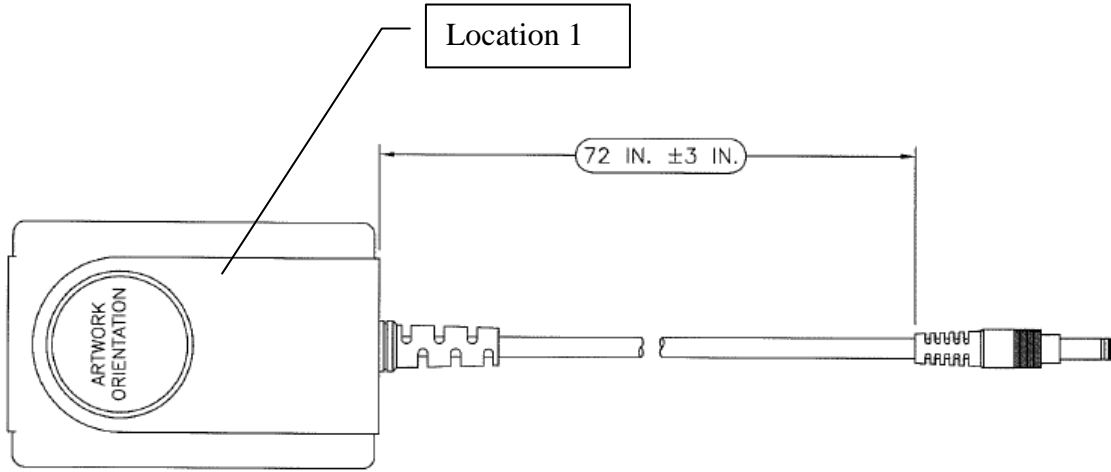


Figure 12

Power Supply (Typical)

Printed copies are uncontrolled