
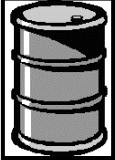




Printed copies are uncontrolled

Product name:	V200/Esprit Ventilator	
Identification code(s)	1060264. 701-1000-00	
Total weight (in Kg)	30kg	
Producer/ Manufacturer	Name company:	Philips Respironics California, Inc.
	Address:	2271 Cosmos Court, Carlsbad CA
	Zip code:	92011
	Country:	USA

Recycle Info	Items:	Location
Special attention 		

Fluids / Gases	Items:	Location
		

Batteries	Type:	Location
	Lithium (x1)	Figure 1 (1)

Hazardous	Substances:	Location
 To be Removed	Lead (Pb), Printed Circuit Board (x1)	Figure 1 (2)
	Lead (Pb), Printed Circuit Board (x4)	Figure 2 (3)
	Lead (Pb), Printed Circuit Board (x9)	Figure 3 (4)
	Mercury (Hg), LCD (x1)	Figure 4 (5)
	Lead (Pb), Printed Circuit Board (x3 V200, x2 Esprit)	Figure 4 (6)
	Lead (Pb), Printed Circuit Board (x1)	Figure 4 (7)
	Lead (Pb), Printed Circuit Board (x1)	Figure 5 (8)
	Lead (Pb), Printed Circuit Board (x1)	Figure 5 (9)
	Lead (Pb), Printed Circuit Board (x1)	Figure 5 (10)
	Lead (Pb), Printed Circuit Board (x1)	Figure 5 (11)

Title: _____

Recycling Passport Number: _____ Rev: _____

Show locations of materials mentioned on the previous sheet. (Picture information)

Printed copies are uncontrolled

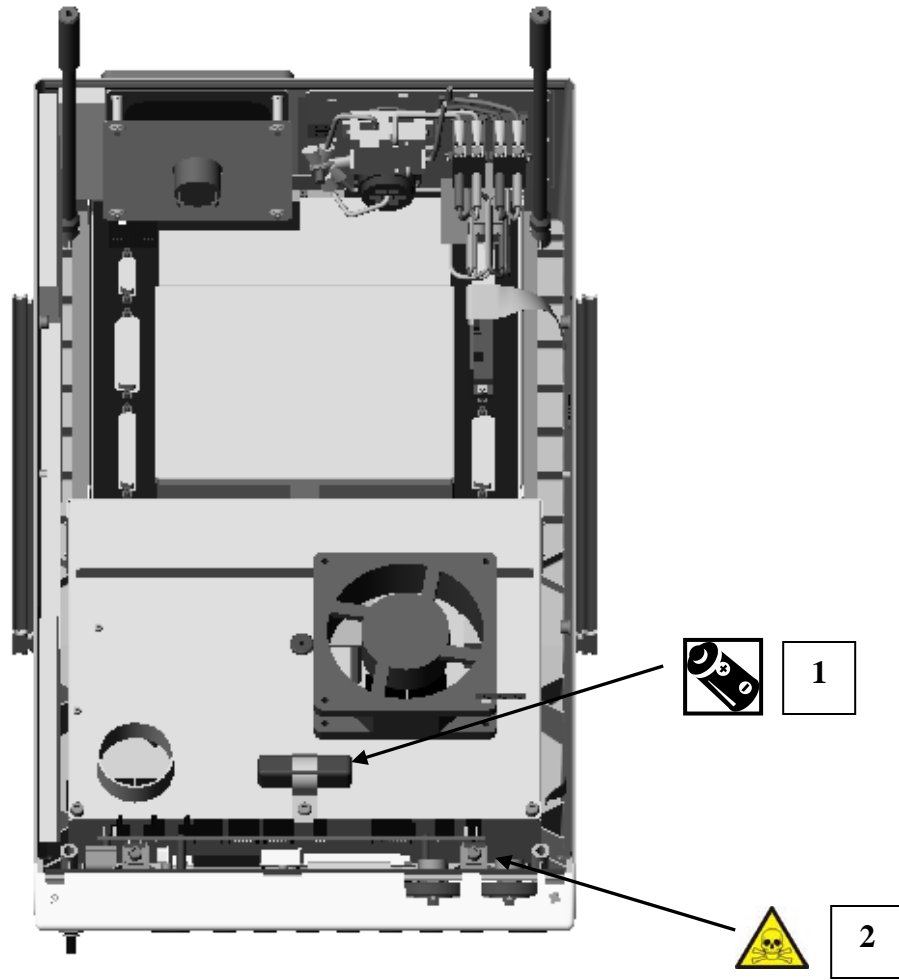


Figure 1

Title: _____

Recycling Passport Number: _____ Rev: _____

Printed copies are uncontrolled

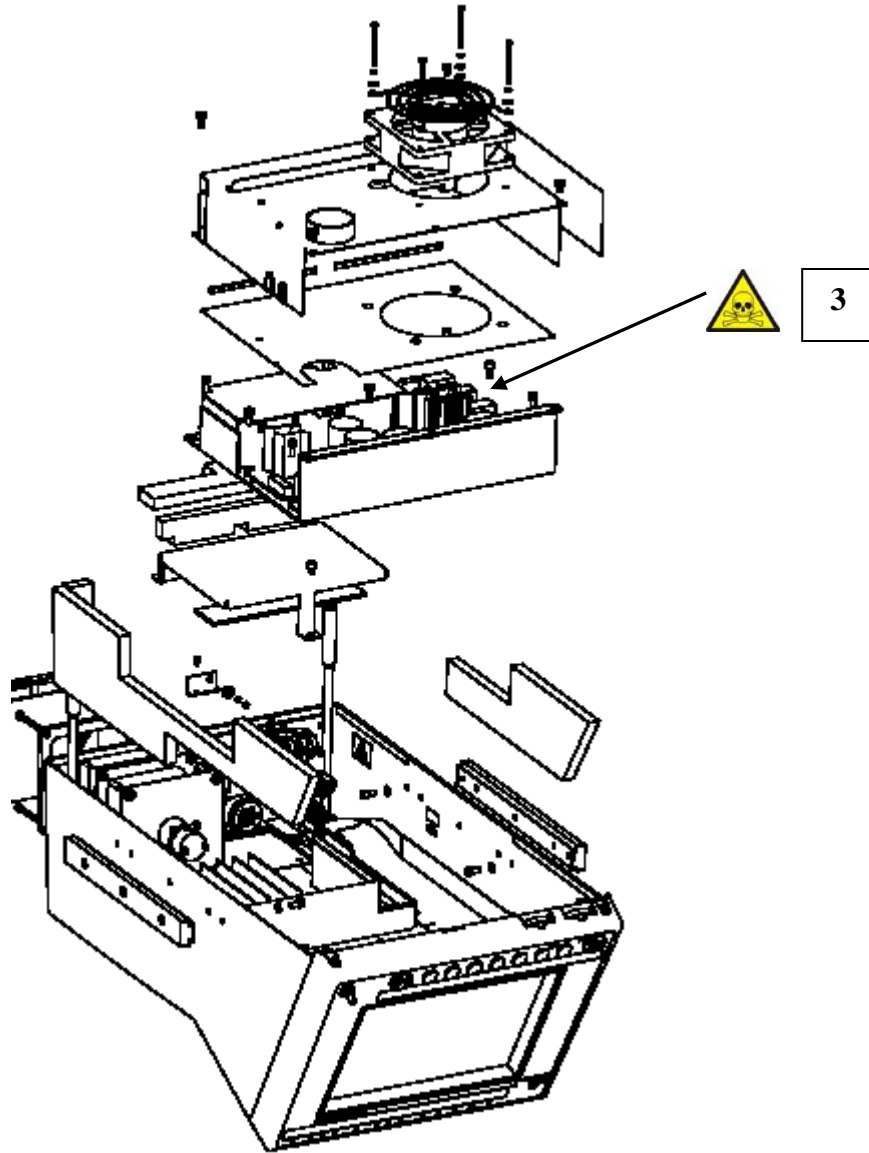


Figure 2

Title: _____

Recycling Passport Number: _____ Rev: _____

Printed copies are uncontrolled

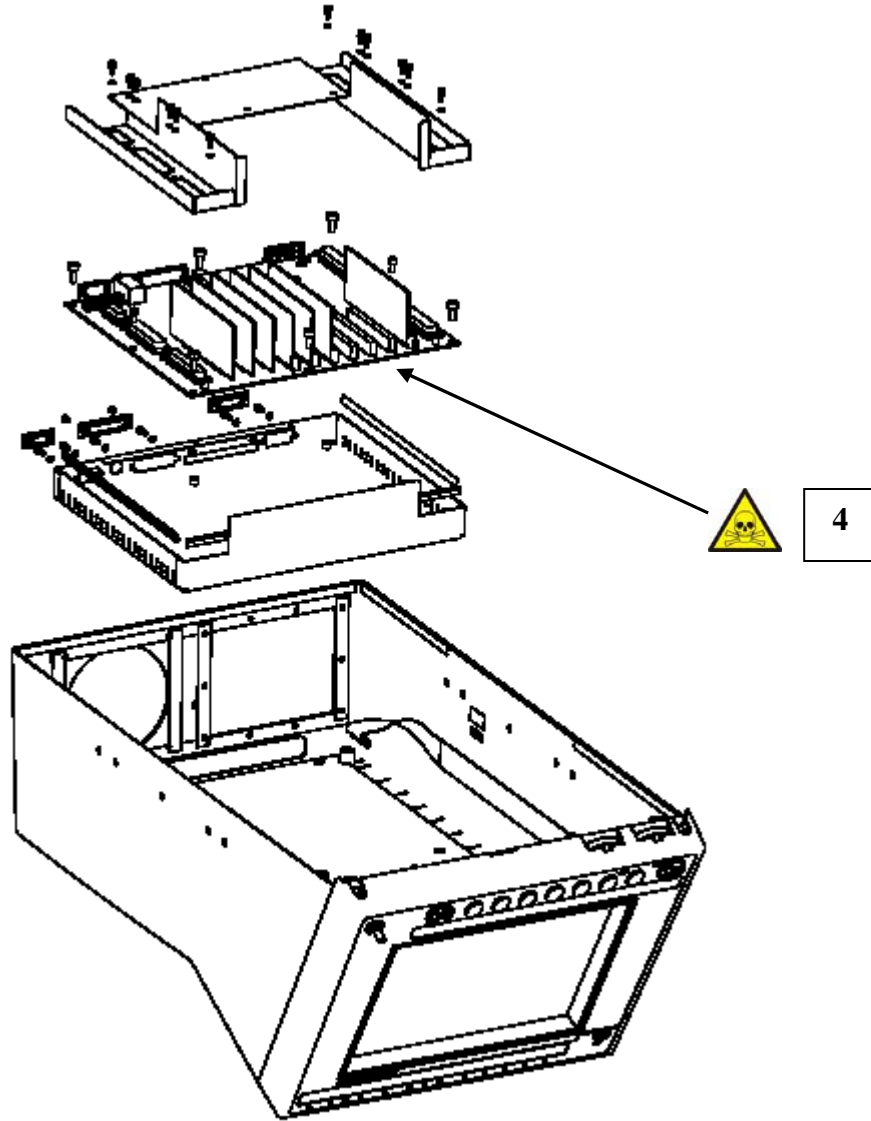


Figure 3

Title: _____

Recycling Passport Number: _____ Rev: _____

Printed copies are uncontrolled

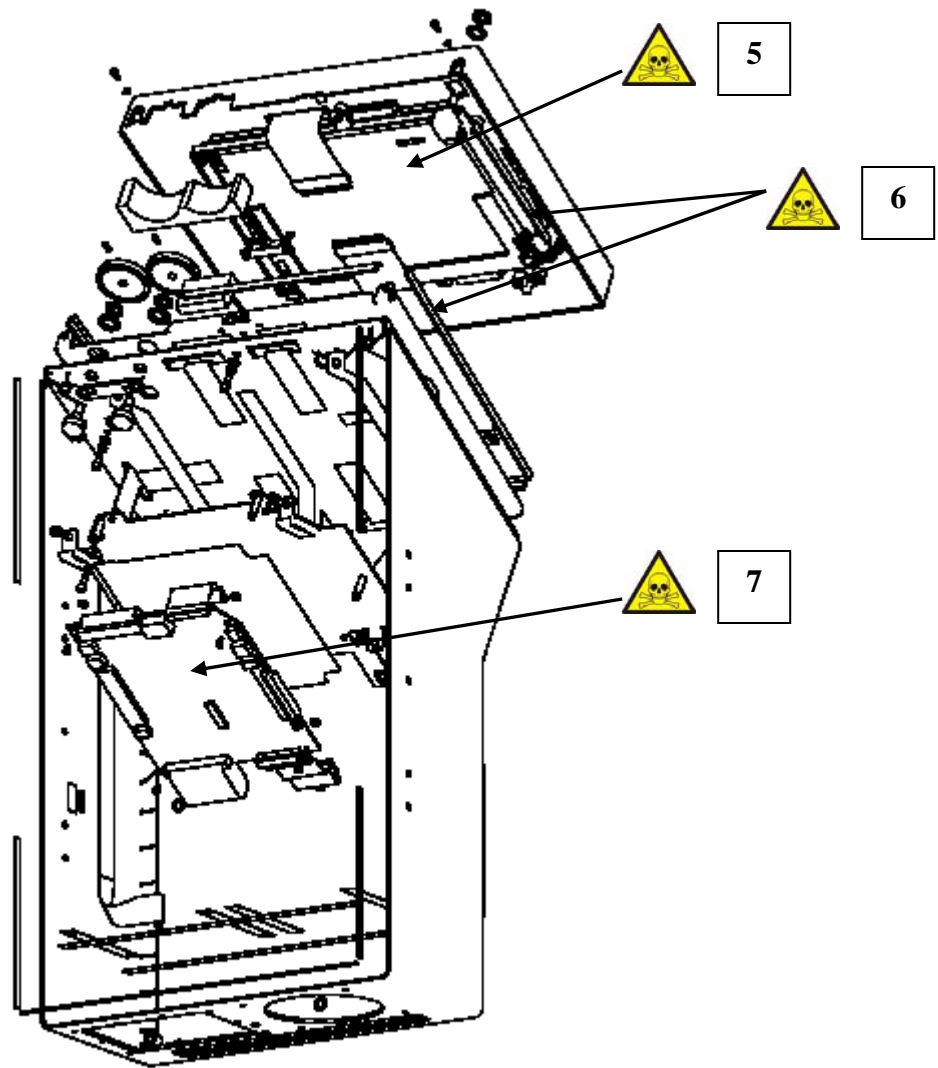


Figure 4

Title: _____

Recycling Passport Number: _____ Rev: _____

Printed copies are uncontrolled

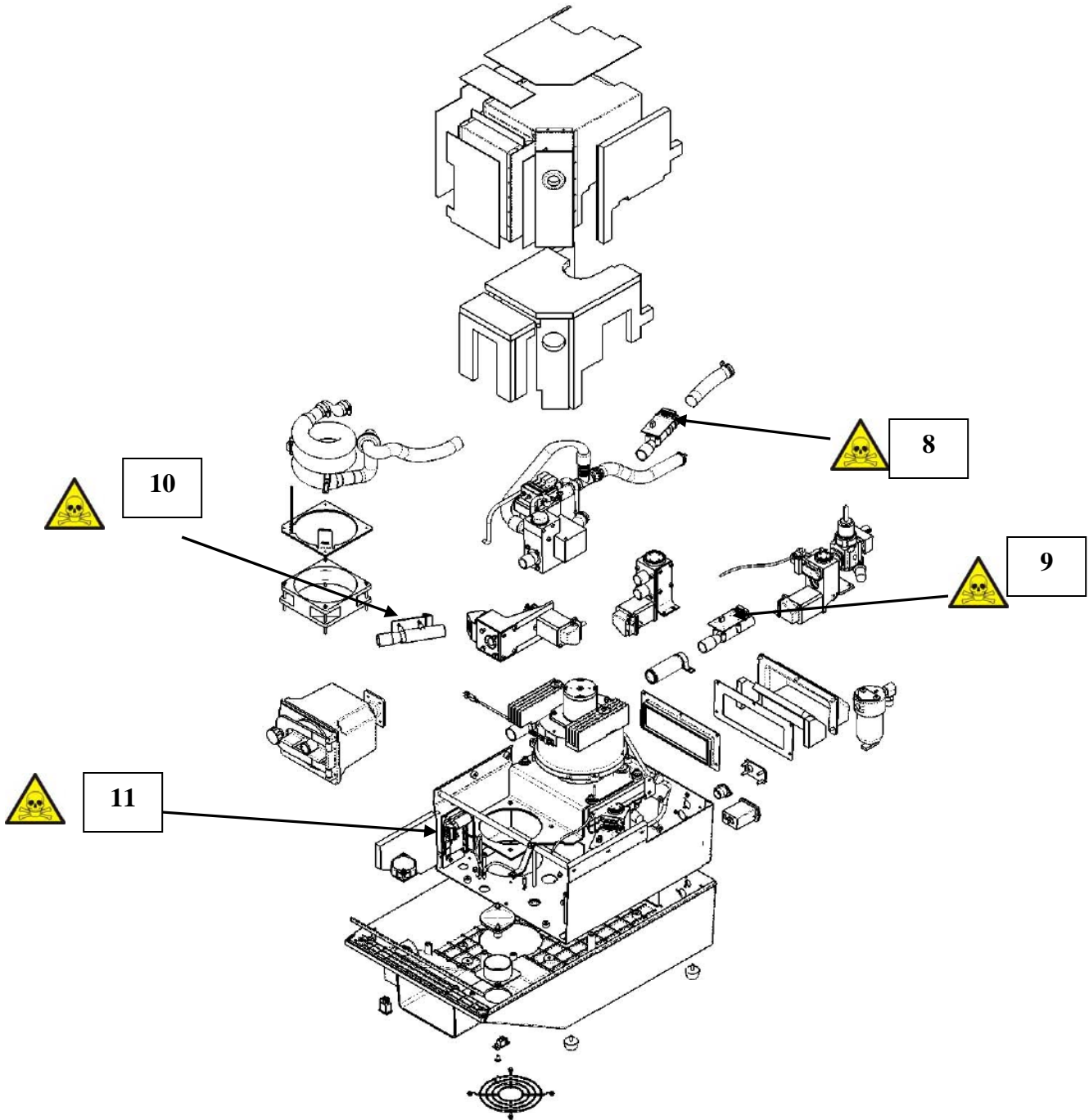


Figure 5

Title: _____

Recycling Passport Number: _____ Rev: _____

Recycling Passport Revision History

Rev	Description	Date

Recycling Passport Approval Signatures

Written By

Reviewed By (optional)

Approved By

Approved By

Printed copies are uncontrolled

Title: _____

Recycling Passport Number: _____ Rev: _____