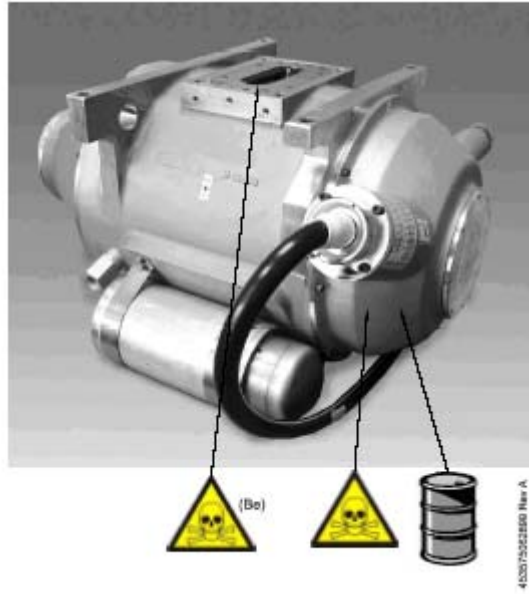


Philips Medical Systems / Product Recycling Passports



Recycling Passport Revision History

Rev	Description	Date
A	First Passport	Aug 2006