





Recycling Passport

Product name:	Easy Diagnost Basic		
Identification code	9890 010 03621		
Order No.			
Device Type	B2B (Business to business)		
Producer /Manufacturer	Company name:	Philips Medical Systems DMC GmbH	
	Address:	Roentgenstrasse 24	
	Zip code:	22335 Hamburg	
	Country:	Germany	
	Web info:	See Philips Intranet	
Total weight (in Kg) thereof			1.735,087 kg

Klasse	Merkmalbezeichnung	Gesamtgewicht	Gewichtseinheit
steel, iron	iron, low alloy (<5%)	524,411	KG
steel, iron	cast iron, cast steel	70,569	KG
steel, iron	iron, high alloy (>5%)	14,384	KG
steel, iron		609,364	KG
nonferrous metals and alloys	aluminum, -alloy	178,372	KG
nonferrous metals and alloys	copper, -alloy	11,754	KG
nonferrous metals and alloys		190,126	KG
plastics / organic substances	thermoplastic	22,548	KG
plastics / organic substances	elastomer	12,658	KG
plastics / organic substances	thermoset	0,491	KG
plastics / organic substances	lubricating grease	0,2	KG
plastics / organic substances		35,897	KG
batteries	batteries, lithium	0,007	KG
batteries		0,007	KG
standard parts	other electronic powered devic	186,505	KG
standard parts	computers and accessories	81,537	KG
standard parts	cables	81,032	KG
standard parts	motors, pumps	40,429	KG
standard parts	patient tables	31,85	KG
standard parts	power supplies / transformers	30,116	KG
standard parts	gears	29,6	KG
standard parts	mounting parts, attaching part	19,059	KG
standard parts	monitors	9,85	KG
standard parts	brakes / clutches	6,69	KG
standard parts	printed circuit boards	5,149	KG
standard parts	bv image amplifiers	60,9	KG
standard parts	rasters	0,84	KG
standard parts	bearing plates	0,16	KG
standard parts		583,717	KG
relevant materials	lead and -compounds (cables an	279,128	KG
relevant materials		279,128	KG
prohibited materials	lead and -compounds	36,848	KG
prohibited materials		36,848	KG

Printed copies are uncontrolled documents

Recycling Passport

Recycle info		
General Hazards (Desinfection)	For dismantling activities Treatment Facilities must consider the national requirements. For personnel which can come into contact with contaminated material, preventive measures pursuant to national requirements must be taken into account	
Hazardous Substances  To be removed	Substances:	Location
	Lead	Fig. 1 (1)
Batteries  To be removed	Type:	Location
	Lithium Battery	Fig. 1 (2)
Special attention 	Item	Location
Fluids / Gases 	Item	Location
	HV-transformer oil contains no PCBs	

Printed copies are uncontrolled documents

Recycling Passport

Locations as mentioned in the Passport (Pictures information)



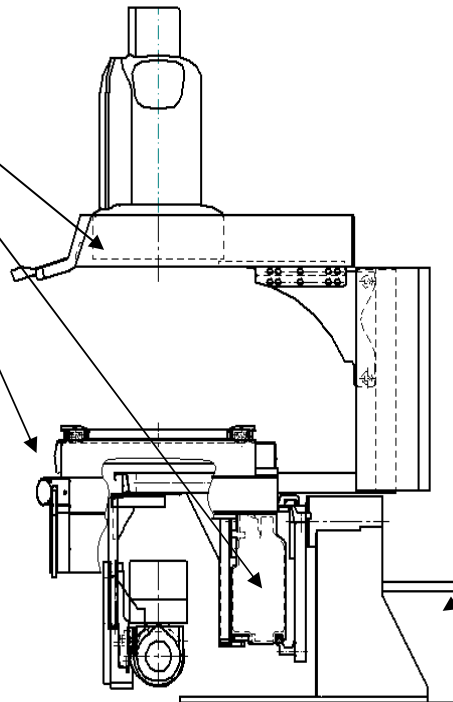
Fig. 1



1

Printed copies are
uncontrolled documents

1



2



Recycling Passport

Printed copies are
uncontrolled documents