
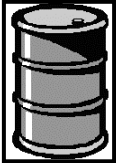




Printed copies are uncontrolled

Product name:	Philips Panorama 0.6T MRI System	
Identification code(s)		
Total weight (in Kg)	38000 kg	
Producer/ Manufacturer	Name company:	Philips Medical Systems MR Technologies Finland
	Address:	Äyritie 4
	Zip code:	01511 VANTAA
	Country:	FINLAND

Recycle Info	Items:	Location
Special attention 	Vacuum tank / Before dismantling make small hole to let air in. Electricity must be switched off 1 week before dismantling.	Figure 3, Location 1
	Tank contains liquid helium. Ensure that helium is boiled off before drilling the hole.	
Fluids / Gases 	Items:	Location
	Oil in 6 gearboxes of the patient support (3 in both sides)	Figure 2, Location 1
Batteries 	Type:	Location
	Lithium battery in magnet remote control.	Figure 1, Location 1
	Pb battery 2x at the backside of the magnet	Figure 3, Location 2
To be Removed		
Hazardous 	Substances:	Location
	Woods metal (25% Pb, 12.5% Cd) in junction cups	Figure 3, Location 1
To be Removed		

Show locations of materials mentioned on the previous sheet. (Picture information)

Printed copies are uncontrolled

Figure 1

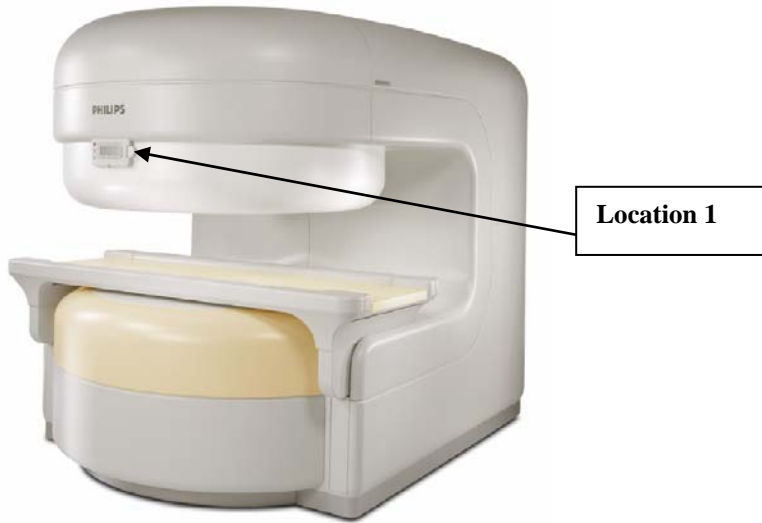


Figure 2

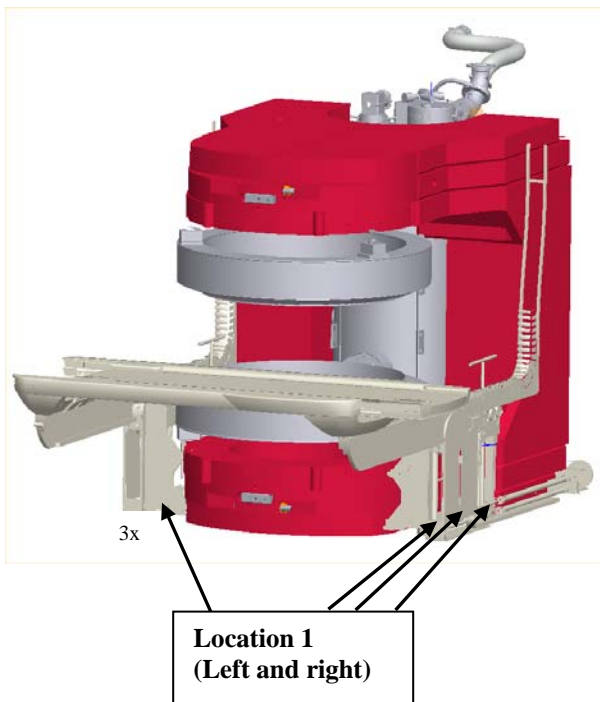
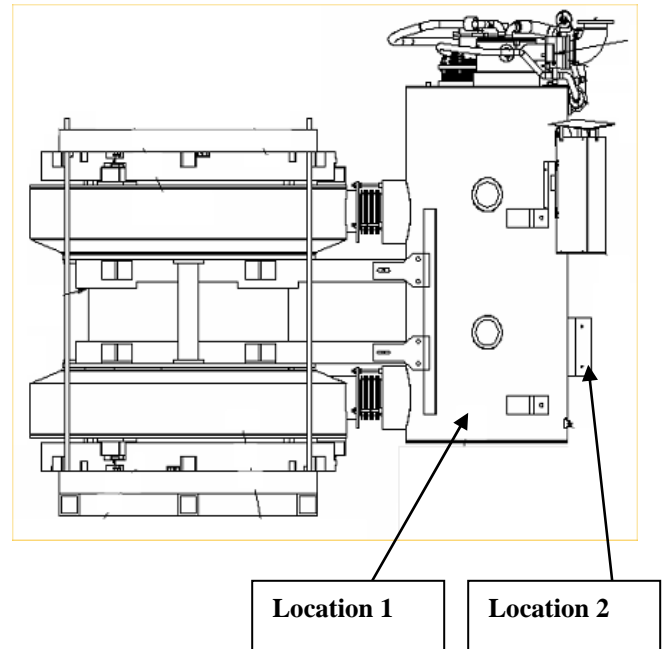


Figure 3



Title: Recycling Passport Panorama 0.6T
Recycling Passport Number: 987037 Rev: A

Recycling Passport Revision History

Rev	Description	Date
A	Initial revision	9.8.2006

Recycling Passport Approval Signatures

Written By Tero Virta

Reviewed By (optional) Review: 989775-A
--

Approved By Tatu Laine

Printed copies are uncontrolled