




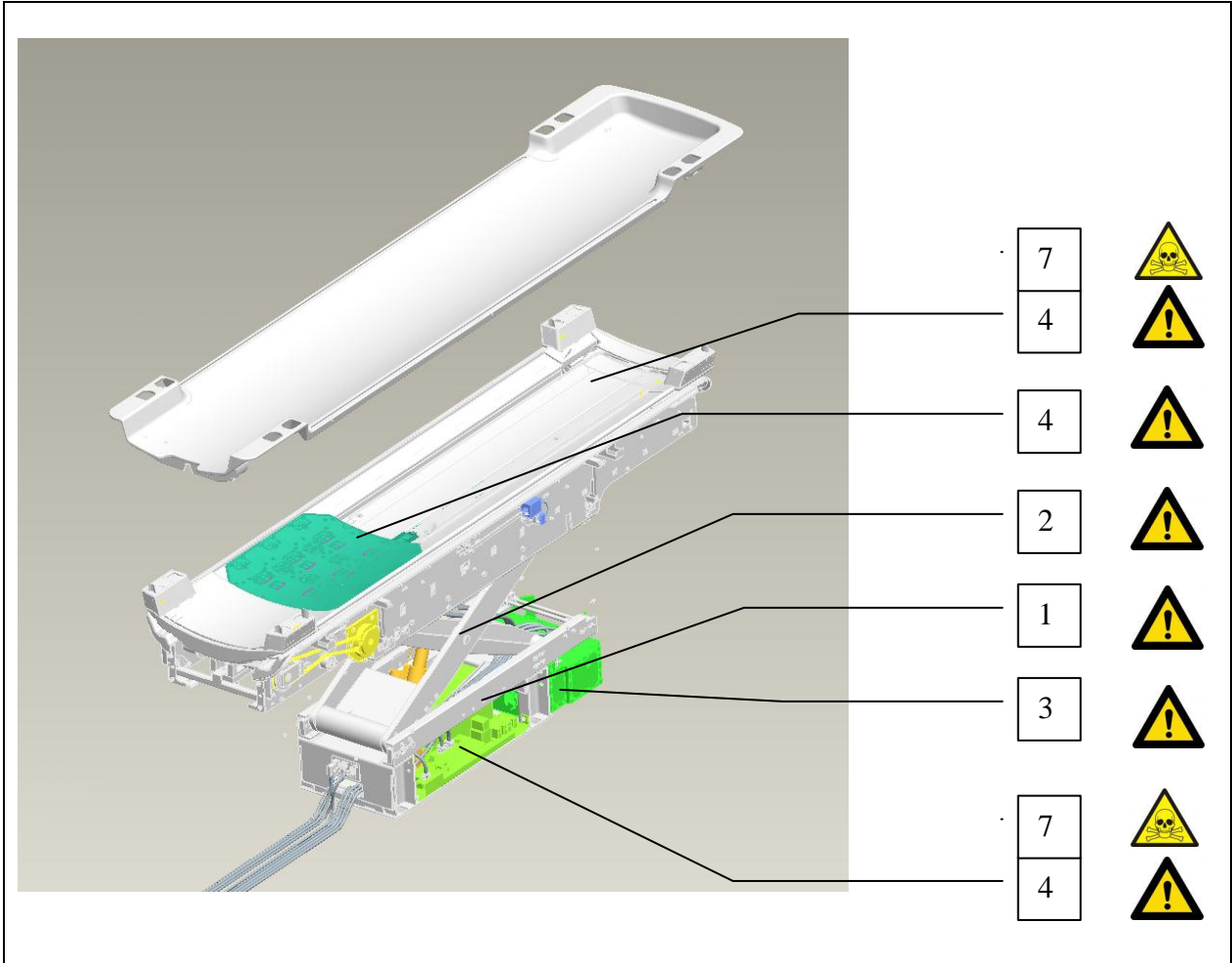
Product name:	PATIENT SUPPORT-1.5T-IRF		
Identification code(s)	9896 030 1921X		
Total weight (in Kg)	+/-260kg		
Producer /Manufacturer	Name company:	Philips Medical Systems Nederland B.V.	
	Address:	Veenpluis 4-6	
	Zip code:	5680 DA BEST	
	Country:	The Netherlands	
	Electronic info:	989603019210_5790_v01	

Recycle info	Substances:	Location
Special attention 	Items:	Location
	These products contain heavy construction elements. Appropriate care shall be taken during disassembly.	1
	These products contain a scissor mechanism. Care shall be taken during disassembly to prevent injury due to collaps of the mechanism.	2
	The power supplies contain electrolytic capacitors. The power supplies contain Printed Circuit Boards.	3
	These products contain Printed Circuit Boards inside the indicated housings.	4
	These products have external and internal electric cabling.	5
	The actuator contains an electrolytic capacitor.	6
Hazardous  To be removed	This PCB is solder with lead	7

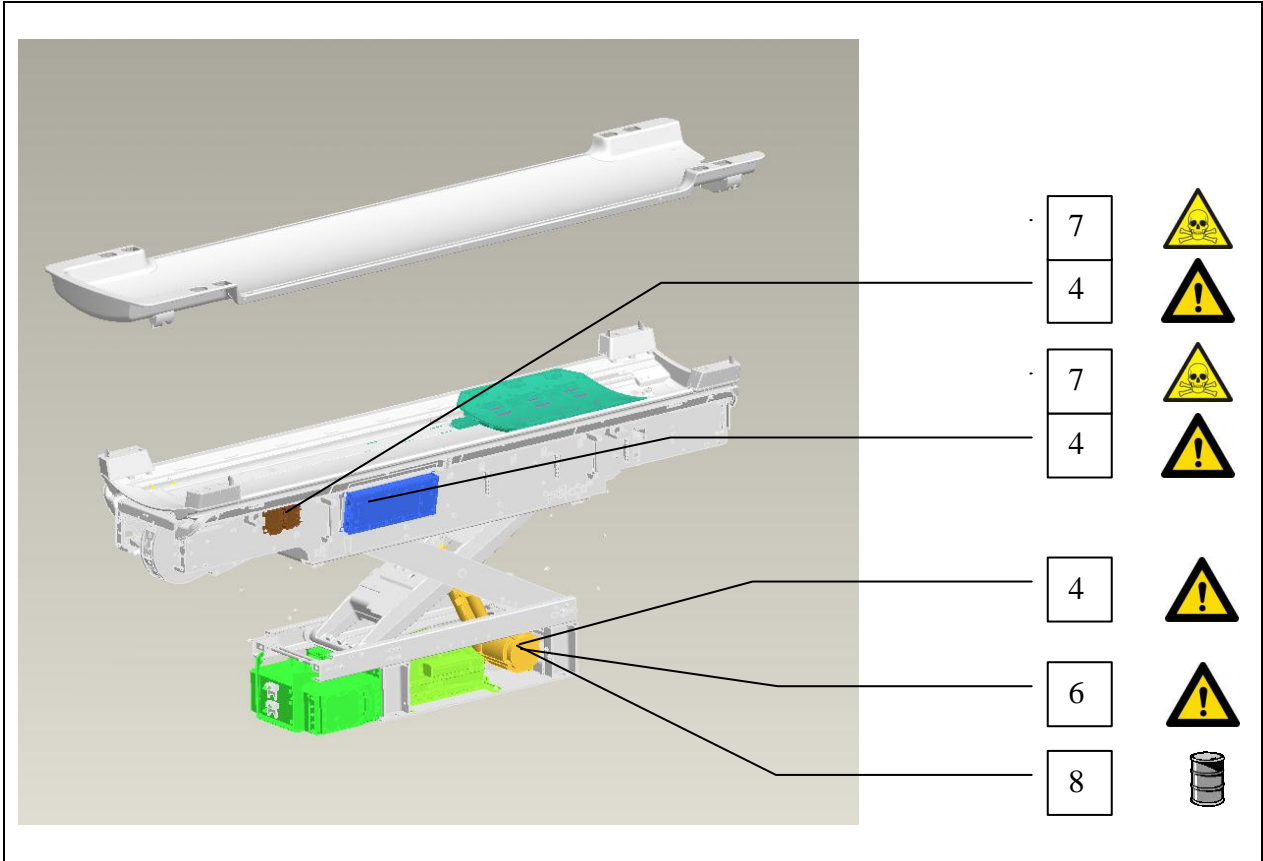
Fluids and gases	Items	Location
	Low quantity of grease inside actuator.	8

Locations as mentioned in the Passport (Pictures information)

Name: WEEE Passport Patient Support		12NC: 9896 030 19210		Version: 00 Doc.Date: 2010-06-30	
Author:	Pag.: 1 of 3	Group No: 5790	Section: -	Status: Authorized	



Name: WEEE Passport Patient Support		12NC: 9896 030 19210		Version: 00 Doc.Date: 2010-06-30	
Author:		Pag.: 2 of 3	Group No: 5790	Section: -	Status: Authorized



Name: WEEE Passport Patient Support		12NC: 9896 030 19210		Version: 00 Doc.Date: 2010-06-30	
Author:		Pag.: 3 of 3	Group No: 5790	Section: -	Status: Authorized