




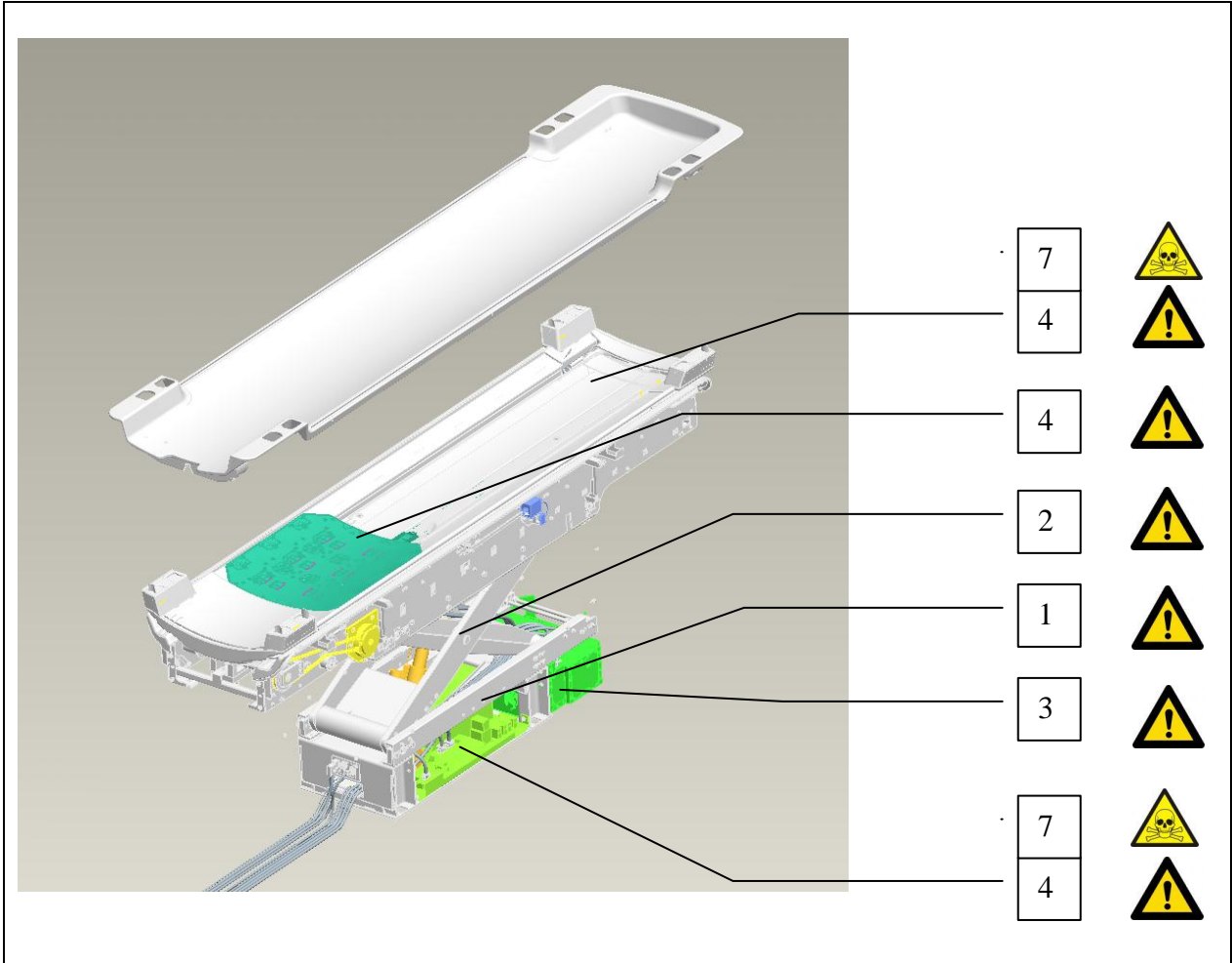
<b>Product name:</b>	<b>PATIENT SUPPORT-3.0T-IRF</b>		
<b>Identification code(s)</b>	<b>9896 030 1915X</b>		
<b>Total weight (in Kg)</b>	<b>+/-260kg</b>		
<b>Producer /Manufacturer</b>	Name company:	Philips Medical Systems Nederland B.V.	
	Address:	Veenpluis 4-6	
	Zip code:	5680 DA BEST	
	Country:	The Netherlands	
	Electronic info:	989603019150_5790_v01	

<b>Recycle info</b>	<b>Substances:</b>	<b>Location</b>
<b>Special attention</b> 	<b>Items:</b>	<b>Location</b>
	These products contain heavy construction elements. Appropriate care shall be taken during disassembly.	1
	These products contain a scissor mechanism. Care shall be taken during disassembly to prevent injury due to collaps of the mechanism.	2
	The power supplies contain electrolytic capacitors. The power supplies contain Printed Circuit Boards.	3
	These products contain Printed Circuit Boards inside the indicated housings.	4
	These products have external and internal electric cabling.	5
	The actuator contains an electrolytic capacitor.	6
<b>Hazardous</b>  <b>To be removed</b>	This PCB is solder with lead	7

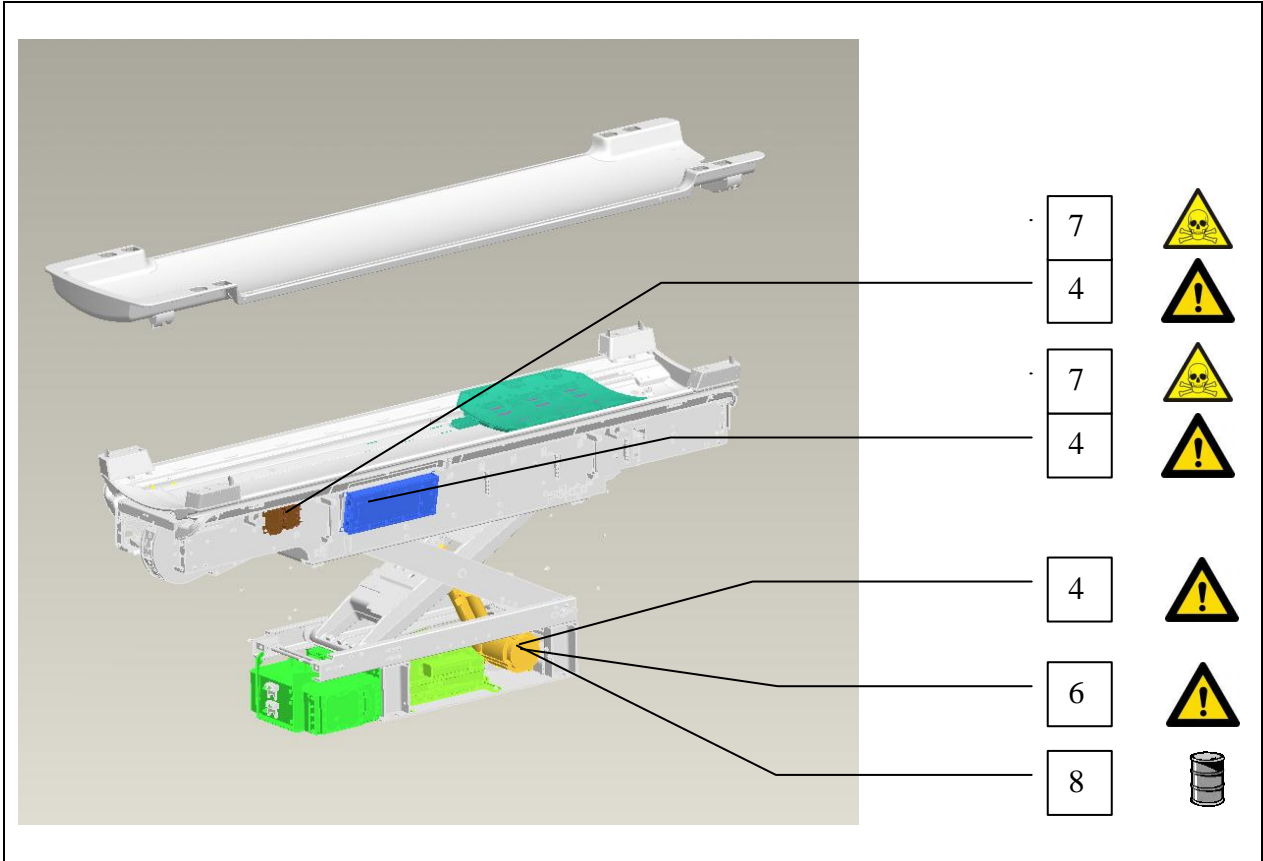
<b>Fluids and gases</b>	<b>Items</b>	<b>Location</b>
	Low quantity of grease inside actuator.	8

**Locations as mentioned in the Passport ( Pictures information)**

Name: <b>WEEE Passport Patient Support</b>		12NC: <b>9896 030 19150</b>		Version: <b>00</b> Doc.Date: <b>2010-06-30</b>	
Author:	Pag.: <b>1 of 3</b>	Group No: <b>5790</b>	Section: <b>-</b>	Status: <b>Authorized</b>	



Name: <b>WEEE Passport Patient Support</b>		12NC: <b>9896 030 19150</b>		Version: <b>00</b> Doc.Date: <b>2010-06-30</b>	
Author:		Pag.: <b>2 of 3</b>	Group No: <b>5790</b>	Section: <b>-</b>	Status: <b>Authorized</b>



Name: <b>WEEE Passport Patient Support</b>		12NC: <b>9896 030 19150</b>		Version: <b>00</b> Doc.Date: <b>2010-06-30</b>	
Author:		Pag.: <b>3 of 3</b>	Group No: <b>5790</b>	Section: <b>-</b>	Status: <b>Authorized</b>