

Product name:	NVC Head 3T	
Identification code(s)	4598-001-7118x	
Total weight (in Kg)	2.7 Kg	
Producer /Manufacturer	Name company:	Philips Healthcare Best
	Address:	Veenpluis 4-6
	Zip code:	5680DA Best
	Country:	The Netherlands
	Electronic info:	NVC Head 3T

Recycle info	Substances:	Location
Special attention 	Items:	
	No special attention needed.	
 Batteries To be removed	Type:	Location
	No batteries present.	
Hazardous  To be removed		Location
	Fourteen pcb assemblies and one flexfoil pcb assembly	Figure 1a, 1b
	Two so-called RXE modules: 45221330828x or 45980004624x (containing pcb assy)	Figure 2a, 2b
	Twenty-four copper-gold contact pins containing BeCu springs	Figure 3
	Two RF traps	Figure 4
 Fluids / Gases	Items:	Location
	No fluids and/or gases present.	

Name: WEEE NVC Head 3T	12NC: DMR134224	Version: 00 Doc.Date: 2011-10-04
Author:	Pag.: 1 of 3	Group No: 5790
	Section: -	Status: see Agile

Locations as mentioned in the Passport (Picture information)

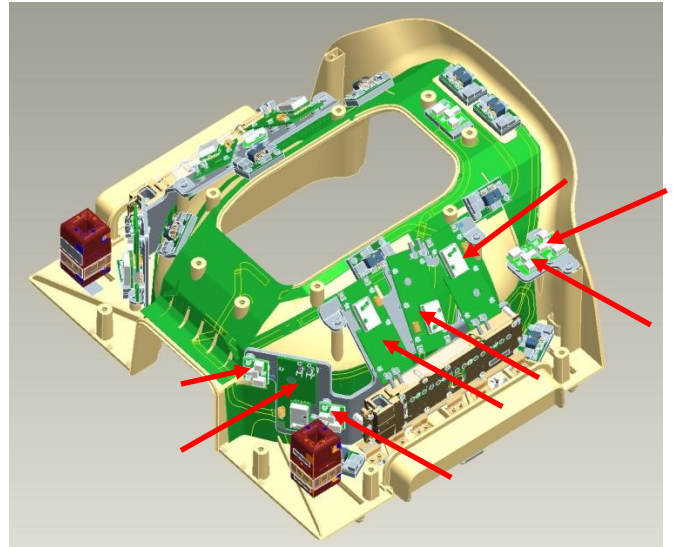
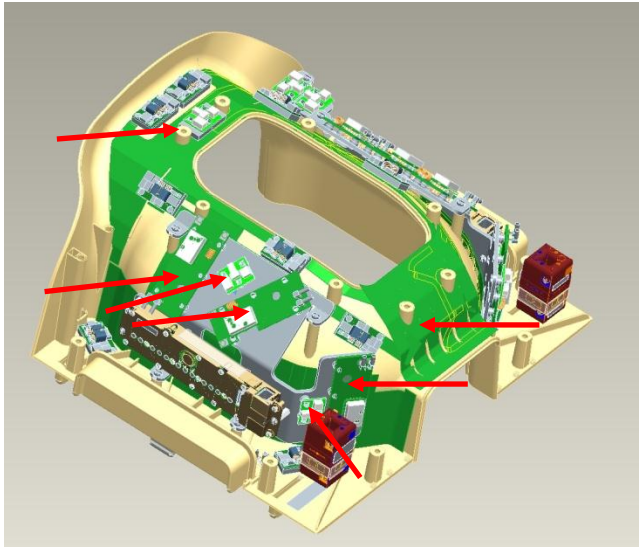


Figure 1a, 1b, NVC Head 3T pcb locations

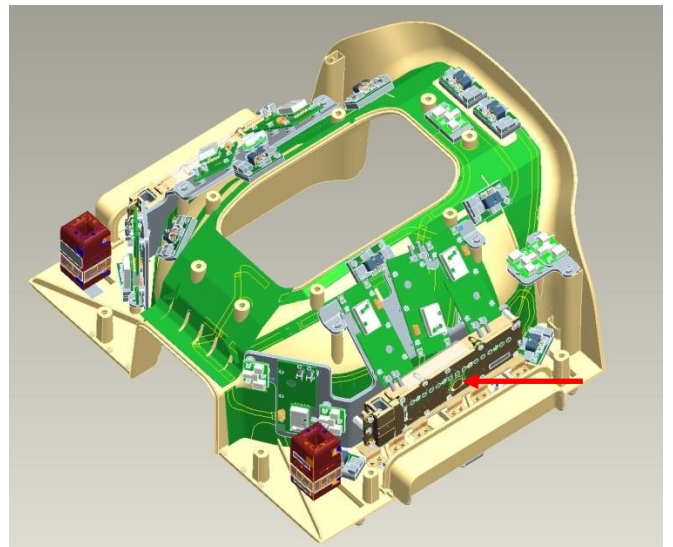
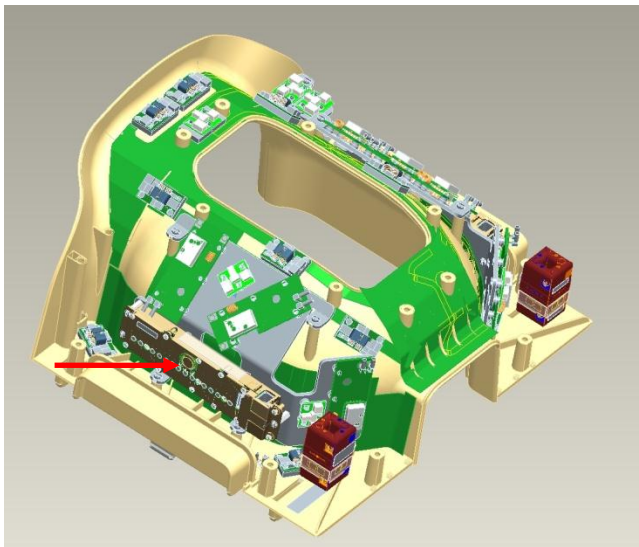


Figure 2a, 2b, NVC Head 3T RXE locations

Name: WEEE NVC Head 3T		12NC: DMR134224		Version: 00 Doc.Date: 2011-10-04	
Author:		Pag.: 2 of 3	Group No: 5790	Section: -	Status: see Agile
© PHILIPS MEDICAL SYSTEMS NEDERLAND BV, BEST 2011				Template version 2.	

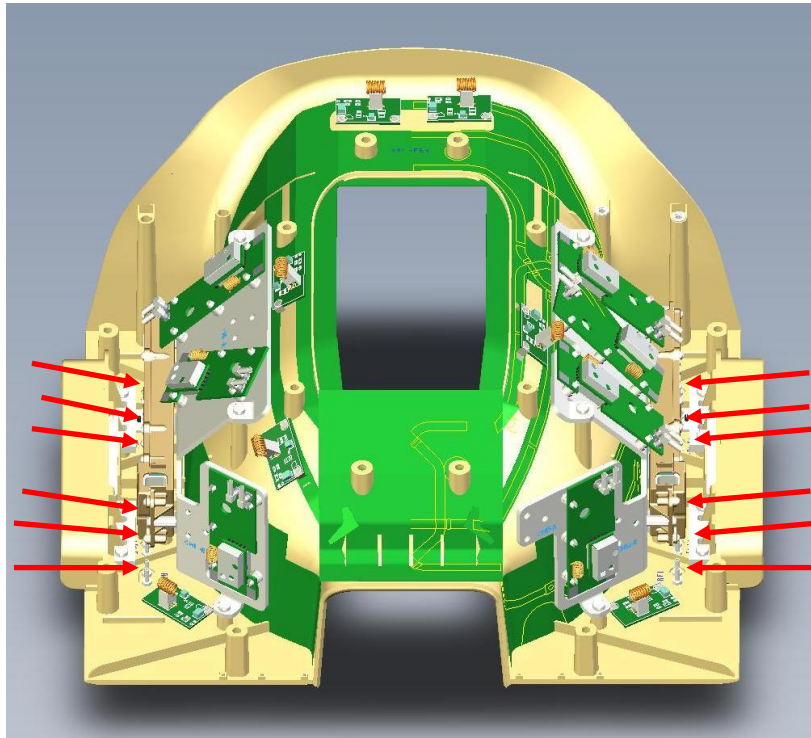


Figure 3, NVC Head 3T contact locations (protruding bottom cover)

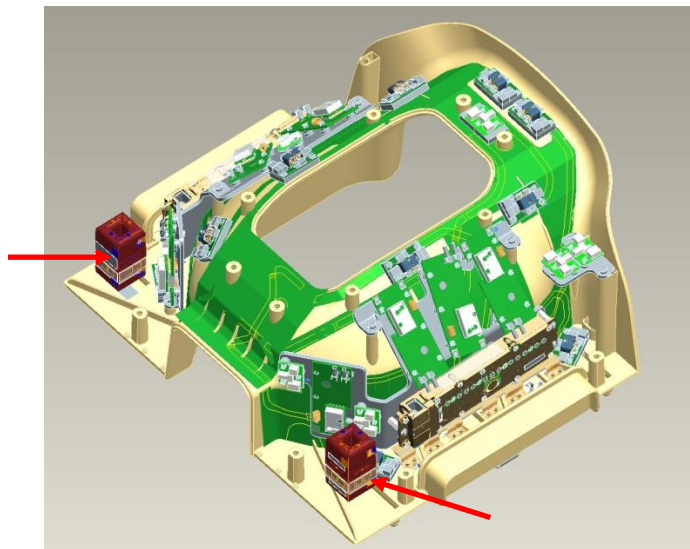


Figure 4, NVC Head 3T RF trap locations

Name: WEEE NVC Head 3T		12NC: DMR134224		Version: 00 Doc.Date: 2011-10-04	
Author:		Pag.: 3 of 3	Group No: 5790	Section: -	Status: see Agile
© PHILIPS MEDICAL SYSTEMS NEDERLAND BV, BEST 2011				Template version 2.	