




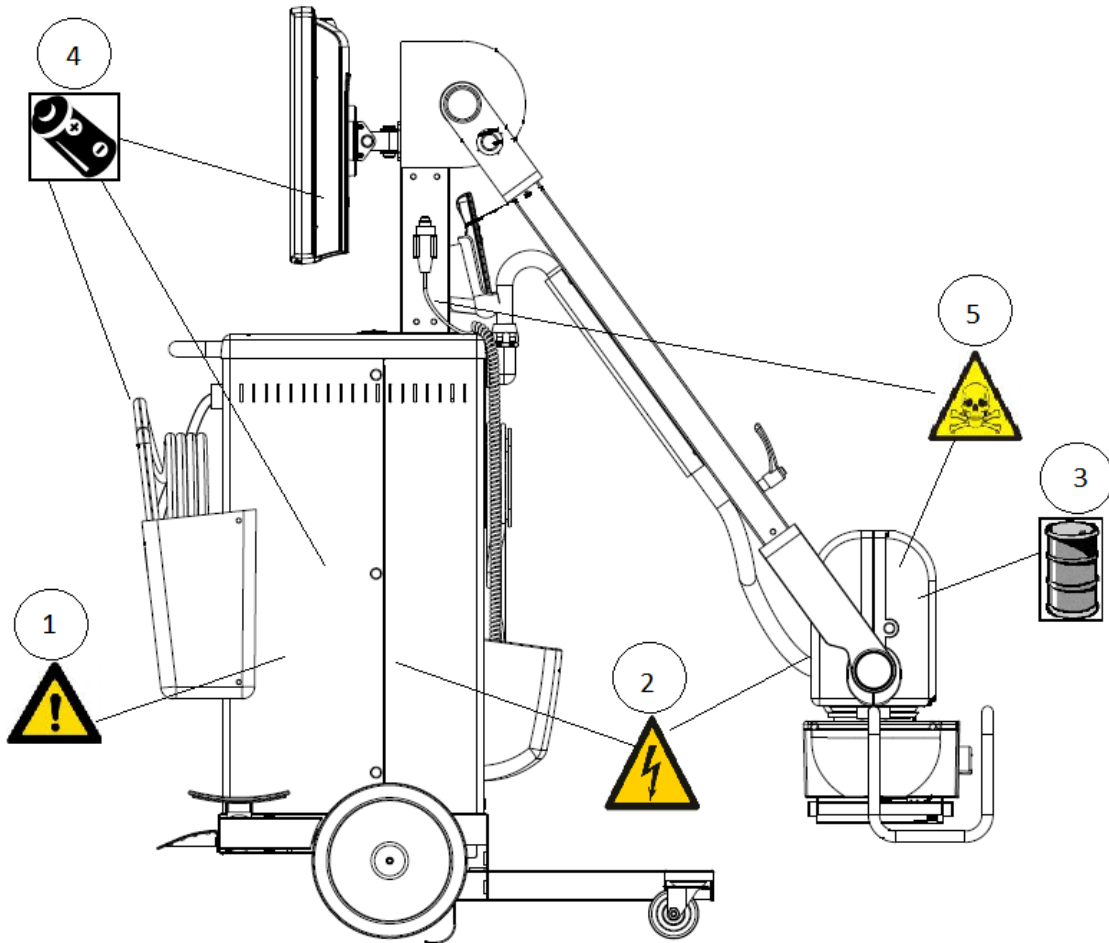


PHILIPS HEALTHCARE	Product Recycling Passport	Page 1 of 4
-----------------------	-----------------------------------	-------------

Product name:	MobileDiagnost Opta	
Identification code(s)	712301 (Digital) 704301 (Analog)	
Total weight (in Kg)	712301 (Digital): 180kg 704301 (Analog): 175kg	
Producer/ Manufacturer	Name company:	Philips India Limited
	Address:	PLOT NO B-79, MIDC, PHASE II, CHAKAN TALUKA – KHED, VILLAGE – SAVARDARI, DISTRICT: PUNE, MAHARASHTRA
	Zip code:	410501
	Country:	India

Recycle Info	Items:	Location
Special attention 	For dismantling activities Treatment Facilities must consider the national requirements.	1
	Be aware of possible contaminated system parts and materials.	
	For personnel that can come in contact with contaminated material, preventive measurements pursuant to national requirements must taken into account.	
	Removal of units/weights can cause the system to tilt	
	Removal of units/weights can cause unexpected movements	
	High voltage parts	2
Fluids / Gases 	Di-Electric Oil inside X-ray Tube	3
Batteries 	Type:	4
	Li-ion in generator	
	Lithium in PC	
	NiMH button in Detector panel	
Hazardous 	Substances:	5
	Lead(Pb) - Xray Tube and Collimator	
	Spring - Mechanical components that store mechanical	

Shows locations of materials mentioned.



used material		weight	
steel, iron			
	cast iron, cast steel	99445.000	g
	iron, low alloy (<5%)	0.000	g
	iron, high alloy (>5%)	0.000	g
not-iron-metals and alloys and compounds		weight	
	aluminium, -alloy	8600.000	g
	copper, -alloy	0.000	g
	magnesium, -alloy	0.000	g
	molybdenum, -alloy	0.000	g
	nickel, -alloy	0.000	g
	titanium, -alloy	0.000	g
	tungsten, -alloy	0.000	g
	zinc, -alloy	0.000	g
precious metals and precious metal alloys		weight	
	gold, -alloy	0.000	g
	silver, -alloy	0.000	g

glass / ceramics	weight	
glass materials	0.000	g
aluminium oxide	0.000	g
ferrite	180.000	g

plastics/not-iron-metals/organic substances	weight	
thermoplastic	15000.000	g
curable plastics	0.000	g
elastomeric bond	0.000	g
hydraulic oil	0.000	g
lubricating grease	0.000	g
oil	7000.000	g
cooling water	0.000	g

batteries	weight	
batterie, alcali manganese	0.000	g
batterie, lithium	9.000	g
batterie, NiMH	0.000	g
batterie, NiCd	0.000	g
batterie, lead	0.000	g

norm parts	weight	
mounting parts, attaching parts	0.000	g
PCBs, PCBAs	5000.000	g
monitors	0.000	g
computers and accessories	25500.000	g
motors, pumps	0.000	g
cables	5000.000	g
other electronic powered devices	4945.000	g
power supplies / transformers	1180.000	g
fans	0.000	g
brakes / clutches	0.000	g
gears	0.000	g
gas springs	0.000	g
wheels / castors	5500.000	g
patient table	0.000	g
bearing plate	0.000	g
BV image amplifier	0.000	g
raster	0.000	g
compensation filter	240.000	g
X-ray tube	1200.000	g
remote controls and similar	1000.000	g

relevant materials	weight	
aromatic hydrocarbons, halogenated	0.000	g
antimony and -compounds	0.000	g
arsenic and -compounds	0.000	g
beryllium and -compounds	0.000	g
benzene	0.000	g
chromium(VI) -compounds	0.000	g
cobalt and -compounds	0.000	g
lead and -compounds (<i>cables and Printed Circuit Boards excepted</i>)	0.000	g
selenium and -compounds	0.000	g
tellurium and -compounds	0.000	g
thallium and -compounds	0.000	g
organic tin -compounds	0.000	g
tungsten and -compounds	0.000	g
cyanides	0.000	g
formaldehyde	0.000	g
PAHs (Polycycl.arom.hydrocarbons)	0.000	g

PAHs, oxidized (Polycycl.arom.hydrocarbons)	0.000	g
phenol and phenolic compounds	0.000	g
phthalates (all) (DEHP and others)	0.000	g
toluene	0.000	g
xylenes	0.000	g
PFCs (PerFluoroCarbons) (all)	0.000	g
epichlorohydrine (Monomer)	0.000	g

prohibited materials	weight	
asbestos (all)	0.000	g
cadmium and -compounds	0.000	g
CFCs (Chlorofluorocarbons)	0.000	g
CHCs (Chlorinated hydrocarbons)	0.000	g
HCFCs (Hydrogenated chlorofluorocarbons)	0.000	g
halons	0.000	g
methyl bromide	0.000	g
dichloromethane (CH ₂ Cl ₂)	0.000	g
tetrachloromethane	0.000	g
1,1,1-trichloroethane	0.000	g
perchloroethylene (C ₂ Cl ₄)	0.000	g
trichloroethylene (C ₂ HCl ₃)	0.000	g
lead and -compounds	1500.000	g
lead and -compounds in outer sleeves of cables, according to proposition 65 legislation, USA	0.000	g
PCP (pentachlorophenol and ist salts and esters)	0.000	g
PBDEs (polybrominated diphenyl ethes)	0.000	g
PBBs (polybromobiphenyls)	0.000	g
PCBs (polychlorinated biphenyls)	0.000	g
PCTs (polychlorinated terphenyls)	0.000	g
ugilec 141 (monomethyl tetrachlorodiphenyl methane)	0.000	g
ugilec 121 (or ugilec 21) (monomethyl dichlorodiphenyl methane)	0.000	g
DBBT (monomethyl dibromodiphenyl methane)	0.000	g
HBFCs (hydrobromofluorocarbons)	0.000	g
chromium (VI) -compounds	0.000	g
mercury and -compounds	0.000	g
arsenic compound for packaging	0.000	g
sum of heavy metals (Cd, Hg, Cr(6+) and Pb) for packaging	0.000	g
PVC and PVC blends for packaging	0.000	g

Recycling Passport Revision History

Rev	Description	Reason for Change CR/PR ID #	Date
0	Initial Release	--	19-Oct-2014