
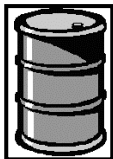


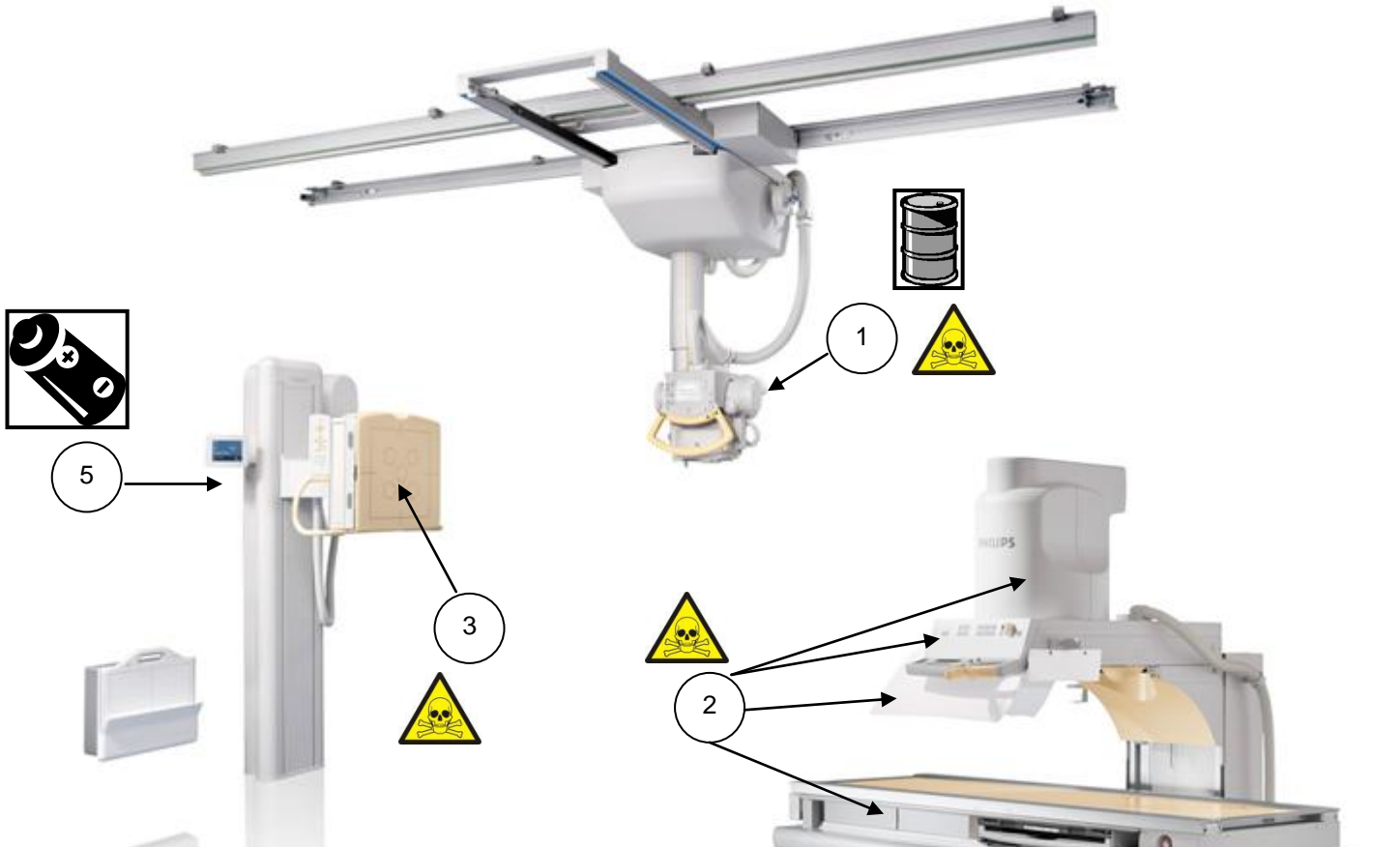


<b>PHILIPS HEALTHCARE</b>	<b>Product Recycling Passport EasyDiagnost Eleva</b>	Page 1 of 3
-------------------------------	--	-------------

<b>Product name:</b>	<b>EasyDiagnost Eleva Rel. 5.x</b>	
<b>Identification code(s)</b>	<b>9890-010-03632</b>	
<b>Total weight (in Kg)</b>	<b>2115 kg – 2782 kg</b>	
<b>Producer/ Manufacturer</b>	<b>Name company:</b>	<b>Philips Medical Systems DMC GmbH</b>
	<b>Address:</b>	<b>Roentgenstrasse 24</b>
	<b>Zip code:</b>	<b>22335 Hamburg</b>
	<b>Country:</b>	<b>Germany</b>

<b>Recycle Info</b>	<b>Items:</b>	<b>Location</b>
<b>Special attention</b> 	<b>Lead in tube, Collimator, Detector and table</b>	
 <b>Fluids / Gases</b>	<b>Items:</b>	<b>Location</b>
	<b>X-ray tube oil tank / Remove oil before dismantling</b>	<b>Fig. 1</b>
	<b>X-ray generator oil tank not visible</b>	
<b>Batteries</b>  <b>To be Removed</b>	<b>Type:</b>	<b>Location</b>
	<b>Lithium Battery WPD Detector</b>	<b>Fig. 4</b>
	<b>Lithium Battery PC printed circuit board</b>	<b>Fig. 4</b>
	<b>Battery Remote Control</b>	<b>Fig. 5</b>
<b>Hazardous</b>  <b>To be Removed</b>	<b>Substances:</b>	<b>Location</b>
	<b>Lead in X-ray tube and Collimator</b>	<b>Fig. 1</b>
	<b>Lead in EasyDiagnost Table (X-Ray shielding)</b>	<b>Fig. 2</b>
	<b>Lead in Detector &amp; Grid</b>	<b>Fig. 3</b>

**BuckyDiagnost CSIII**  
9890-010-88701

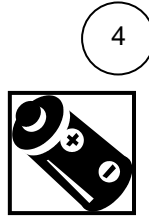


**BuckyDiagnost VS**  
9890-010-83641



<b>PHILIPS HEALTHCARE</b>	<b>Product Recycling Passport EasyDiagnost Eleva</b>	Page 3 of 3
-------------------------------	--	-------------

Option: Docking Station 4512-201-06851 & Portable Detektor 9890-010-87751



**Batteries Type lithium to be removed**



**Eleva Workspot Userstation  
9890-010-87551**

Userstation PC is not on the picture



**Sub-System**

**X-Ray Tube 9890-000-86091 or 9890-000-63842 see area X-Ray Tubes**

**X-Ray Generator 9890-000-70297 or 9890-000-70307 see area X- Generators**

**Recycling Passport Revision History**

Ver.	Description	Date
00	EasyDiagnost Eleva Rel. 5.0	27.Sep.2012